

Squirt

Operator's & Parts Manual

2013 - 2017



GA4900009



Warranty	3
Safety	6
Safe use of chemicals	7
Personal Protective Equipment (PPE)	7
Safety Decals	8
Operating instructions	9
12v pump information	9
Squirt parts list	8-9
Terms & conditions	10-11

Contact

Goldacres

1-3 Morang Crescent,
Mitchell Park Vic 3355

P: 03 5342 6399

F: 03 5342 6308

info@goldacres.com.au

Please note: All information in this operator's manual is based on the latest product information available at the time of printing. The policy of Goldacres is one of continuous improvement and as such, Goldacres reserve the right to alter any specifications and designs without notice and without incurring any obligation regarding such changes. No part of this manual may be reproduced without written permission from Goldacres. All photographs and technical information remain the property of Goldacres.

Register your product

By taking just a few minutes to register your product, you can ensure that you will receive:

- Fast product support
- Product support alerts when applicable.

We will also keep you informed of bonus offers and upcoming promotions when applicable.

How to Register...

Visit goldacres.com.au/warranty

What details will you need?

Serial Number, Product description, place of purchase, date of purchase and invoice number - along with all other relevant contact details.

How to make a warranty claim

In the event of a fault or breakdown with your product, that you believe to be a warranty issue, the following steps must be taken.

1. Ensure that you have read the Operator's Manual and gone through the troubleshooting procedure.
2. If you continue to experience problems then please contact Goldacres on 1300 301 883. The operator will advise the method of warranty service for your product.

Warranty exclusions

Machines must be registered for warranty before a warranty can be requested. All information on delivery and installation must have been submitted before a claim can be requested. If follow up inspections are required these must have been carried out before warranty is requested as well.

Golacres 12 month standard warranty

Some common exclusions:

- Pump diaphragms
- Pump Seals
- Pump check valves
- Pump o-rings
- Filters and filter screens
- Filter o-rings
- Chemical Hoses
- Nozzle Bodies
- Nozzle Body Brackets
- Nozzle Diaphragms and seals
- Solenoid Diaphragms
- Hand Gun, lance or wand seals and o-rings
- Consumables, oil, chemicals, coolant or fuels.
- Hose reel seals and o-rings
- Pressurised sprayer seals and o-rings
- Belts drive chains.
- Wire cables
- Springs
- Shockers and dampeners
- Adjustment of components.
- Damaged items.
- Items controlled by or fitted to Non Genuine parts or devices


Safety Decals

Understanding safety decals and their purpose assists in the safe operation of your sprayer. Safety decals are there for your protection and it is the responsibility of the owner operator to replace damaged and/or missing safety decals.

Regularly review safety decals with operators. It is very important to ensure that all new machine components and replacement parts include current hazard identification decals.

Replacement safety decals can be ordered from all Goldacres dealers



 **SAFETY WARNINGS** Serial No:

Failure to observe the various warnings may result in serious injury or death and/or reduced sprayer performance.

- Ensure all users read and understand the operator's manual before spraying.
- This sprayer is designed and manufactured for the purpose of applying agricultural chemicals to plants only. It should not be used for any other purpose.
- Before using any chemical product, read and heed the instructions on the chemical label, and be sure that the instructions are fully understood. If confusion still arises, contact your local chemical supplier or chemical company. Refer to the chemical label for correct disposal of chemical residue.
- Do not operate the sprayer while under the influence of any drugs or if excessively tired.
- All spray equipment should be cleaned after each spray application. Refer to the chemical label or contact your chemical supplier for specific cleaning instructions and decontaminating agents.
- Do not let children use the sprayer.
- Always point the lance away from people.
- Flammable liquids should not be pumped, and the pump should not be operated in an explosive environment.

Power cord inlet **Meter** **Flow controller** **ON/OFF**

GASOLAB20

Operating Instructions

The Squirt is a compact portable sprayer designed for spot spraying.

The tank, pump and lance are corrosion resistant and are suitable for the application of a wide range of pesticides.

The following sections will provide you with operating instructions on your Squirt.

NOTE: The LED light on the control panel indicates the health of the battery. The battery indicator light will shine as either red or green.

RED = Battery recharge is needed before further use

GREEN = Battery charge is satisfactory.

To recharge the battery:

1. Switch the 'On/Off' switch to Off.
2. Empty contents of tank and ensure that the exterior is dry.
3. Connect the battery charger to any AC 240V/50Hz power supply.
4. Connect the male plug of the charger to the female recharge socket in the control panel.
5. Check the condition of the battery while charging by momentarily switching the sprayer On to observe the LED light as either RED or GREEN.

Operating instructions are as follows:

1. Check unit for damage and to ensure that there are no leaks.
2. Remove re-charging plug from the control panel
3. Remove suction strainer and clean.
4. Replace suction strainer.
5. Add the required amount of liquid to the sprayer and replace the lid.
6. Switch on pump using 'On/Off' switch. The pump will run until sufficient pressure is achieved and then the pump will stop.
7. The unit is now ready for use.
8. Use the triggerjet lance by depressing the trigger. The pump will then automatically maintain the correct pressure and flow depending on nozzle adjustment.

NOTE: Ensure that the pump is switched to Off when no longer required.

12 Volt Pump Information

The pump is critical to any sprayers performance. Correct operation and maintenance of the pump will ensure the sprayer is able to perform to its capabilities. Make sure the pump wires are connected up to the correct terminals (red to positive, black to negative).

Always flush pump with clean water after every use. Prolonged chemical contact can severely damage valves, diaphragms and seals.

The 12 volt pumps are positive displacement diaphragm pumps which provide delivery upon demand. They are self-priming and are fitted with a pressure switch which senses the outlet pressure of the pump. The pressure switch turns the electrical power off to the pump at a pre-determined high pressure point. As the outlet side of the pump is opened, the pressure starts to drop and at a pre-determined point contacts in the switch will close causing the pump to start automatically. The pump will then pump until the pressure reaches the shut-off pressure point.

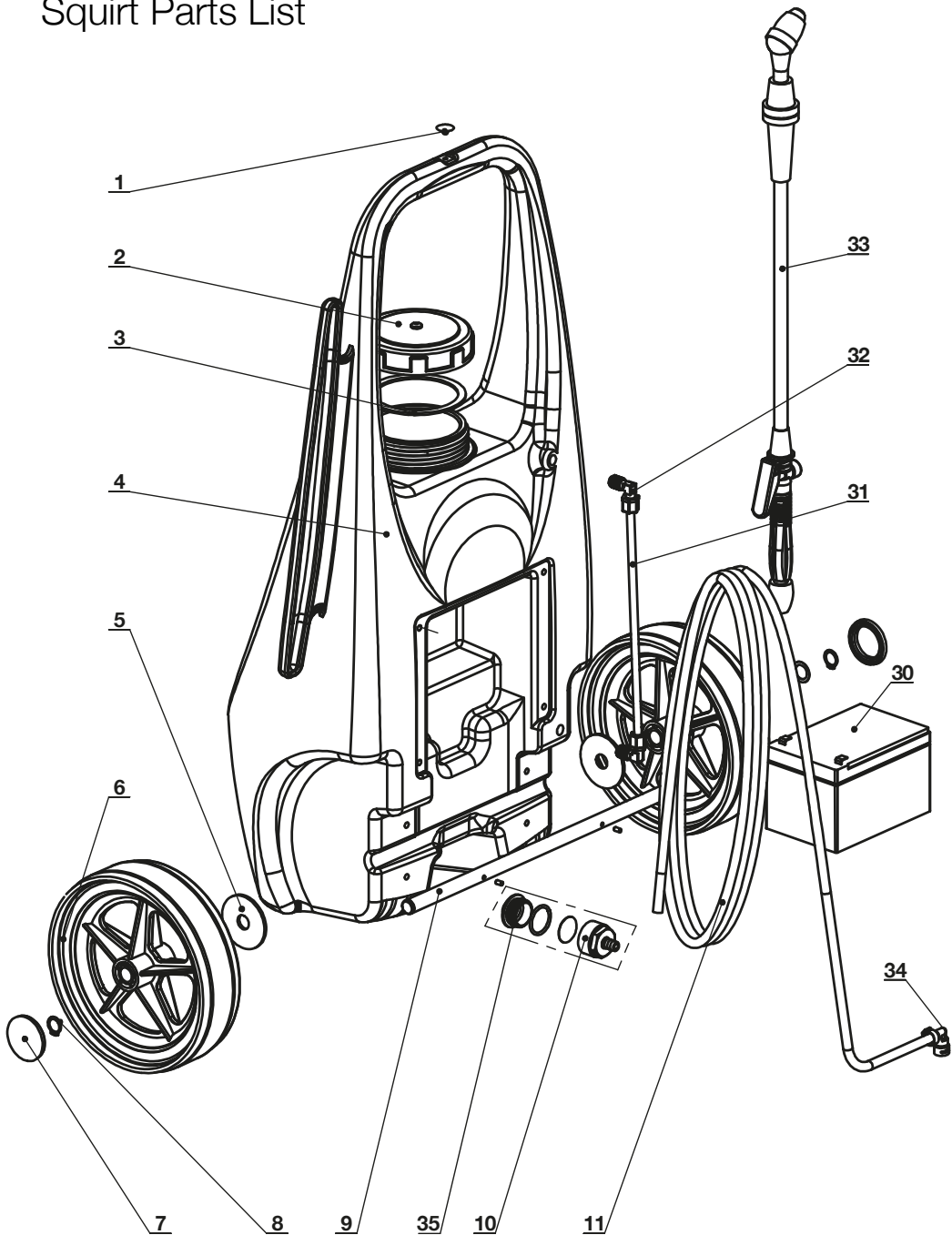
CAUTION:

Do not adjust the pressure switch such that the pumping pressure exceeds the maximum pressure for the pump.

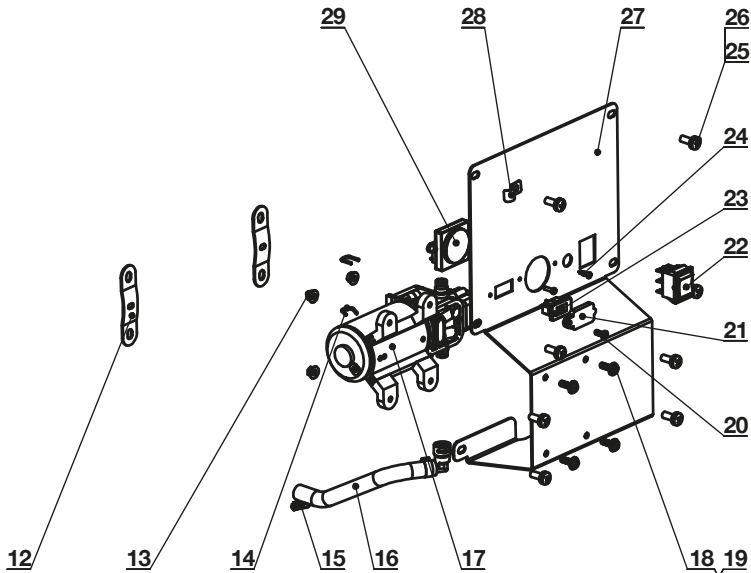
NOTE:

If the flow demand is very low, the pump may reach this high pressure point and cause "cycling" (pump turns on and off rapidly). This is not a problem unless the pump is subject to continuous cycling within two second intervals for long periods of time.

Squirt Parts List



Item	Part Available	Description	Qty
1		Ventilating	1
2	354230	Tank cover	1
3	3542010.020	Cover seal	1
4		Tank	1
5		Rotating shaft gasket	2
6		Wheel	2
7		Cover for wheel	2
8		Snap rings D16	2
9		Wheel axle	1
10	GA5071420	Fitting, 1" thread to 3/8" tail	1
11	HOS7P	Outlet hose	1
12		Fixed gasket	2
13		M5 screw	4
14		U type latch	2
15		Ajustable clamp	1
16		Inlet hose	1
17	GA5023730	Pump	1
18		M5x13 cross screw	4
19		D5 gasket	8
20		M4x10 cross screw	1
21		Waterproof gasket	1
22		Power switch	1
23		Power cord inlet	1
24		PA3(12 screw	2
25		M6x7 screw	8
26		D6 gasket	8
27		Panel	1
28		Fixed buckle	1
29		Volt Metre	1
30	GA5004493	Battery	1
31		Water gauge hose	1
32		Water gauge hose connector	2
33	GA5023885-SK	Sprayer lance	1
34		Drain Elbow	1
35	GA5072550	40 Mesh screen	
	GA5023055	Battery charger, post 2013	



Safety

General

The following pages outline important safety information. At Goldacres safety is a high priority. These safety and warning instructions MUST be followed to ensure the safe operation of your Goldacres equipment.

Explanation of key terms used in this operator's manual are:

DANGER - You could be killed or seriously hurt if you don't follow instructions

WARNING - You can be seriously hurt if you don't follow instructions

CAUTION - You can be hurt if you don't follow instructions

NOTE - Is used to notify people of installation, operation or maintenance information that is important but not hazard related.

The Operator

All operators of this equipment should be adequately trained in the safe operation of this equipment. It is important that all operator's have read and fully understand the operators manual prior to using this equipment.

All new operators should be trained in an area without bystanders or obstructions and become familiar with the sprayer prior to operation.

Safety Precautions

WARNINGS

Any unauthorised modifications to this equipment may affect its function and create a serious safety risk.

Never attempt to clean parts or nozzles by blowing with mouth.

Never attempt to siphon chemicals or substances by sucking.

Regularly check the pump mounting bolts. The pump will always vibrate to some degree when operating and this may work the bolts loose.

Cautions

- A supply of fresh water should be with the equipment at all times.

- Standard polyethylene tanks are not designed for use with diesel fuel or any flammable liquid.
- Do not use this machine in ambient temperatures exceeding 40 degrees Celsius.
- Ensure that all bolts are tightened and secured before operation.
- Area surrounding equipment may become slippery when wet.

Notes

- Always read and understand the operator's manual prior to operation of this equipment.
- It is the responsibility of the operator to ensure that there are no decals missing from the equipment and that any damaged or missing decals are replaced prior to operation.
- Goldacres equipment ordered or operated, outside the guideline limitations may not be warranted by Goldacres for successful performance. Operators working outside these limitations do so at their own risk, unless specific advice has been sought from and provided by Goldacres in writing.
- Always read and follow the chemical manufacturer's guidelines for safe application as per the chemical label. Particular attention should be given to the recommended target application rate of the chemical being applied as per the chemical label.
- Inspect the equipment thoroughly for damage and wear before operation.
- Flush chemicals from equipment immediately after use.
- Certain chemicals may be unsuitable for use with Goldacres standard plumbing designs. Consult your Goldacres dealer if in doubt.
- Do not operate the equipment while under the influence of any drugs, alcohol or if excessively tired.
- When draining fluids from the equipment use appropriate, leak proof containers. Do not use food or beverage containers as someone may consume the contents by mistake.

- After reading the operator's manual if there is any thing that you do not understand please contact your Goldacres dealer or Goldacres.

MUST be cleaned thoroughly before sending them. Goldacres cannot expose technicians to the many potentially hazardous pesticides and substances that are in use.

NOTE:

Please ensure that all parts are clearly labelled with the owner's details, and a brief description of the fault. Goldacres are not liable for the return of any goods to Goldacres or a Goldacres Dealer. The goods must be returned to the point of sale. The customer will be responsible for any cost incurred by a Goldacres appointed person travelling to any site outside the point of sale. Genuine Goldacres parts only should be on Goldacres equipment.

Safe use of chemicals

The safe use of Ag chemicals with this equipment is the responsibility of the owner/operators. All operators should be trained in the safe use of Ag chemicals. Goldacres suggest that a relevant course is completed by owners/operators prior to operation of this equipment as a spray unit.

Personal Protective Equipment (PPE)

Always wear close fitting clothing and safety equipment designed for the job.

Chemicals can be harmful to humans, appropriate PPE should be used when handling chemicals.

Always refer to the chemical manufacturers label for guidelines on the appropriate PPE to use with the chemicals you are using.

Goldacres also suggest that you read and understand the following Australian standards:

- Australian Standard for Chemical protective clothing AS3765
- Australian Standard for Respiratory protection devices AS1715

Airborne particles

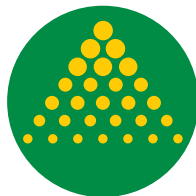
Always stand well clear of equipment during operation. Any spray drift is dangerous and may be hazardous to humans and animals.

Fluids under pressure

Do not disconnect any hoses, nozzles or filters while equipment is operating. Disconnecting these components while under pressure may result in uncontrolled fluid discharge which may be hazardous.

When the repair is complete ensure that all fittings and lines are secured before re-applying pressure.

When returning parts to Goldacres or a Goldacres dealer, for service or repair all parts



GOLDACRES

1-3 Morang Crescent, Mitchell Park Vic 3355

P: 03 5342 6399 F: 03 5342 6308

info@goldacres.com.au

goldacres.com.au