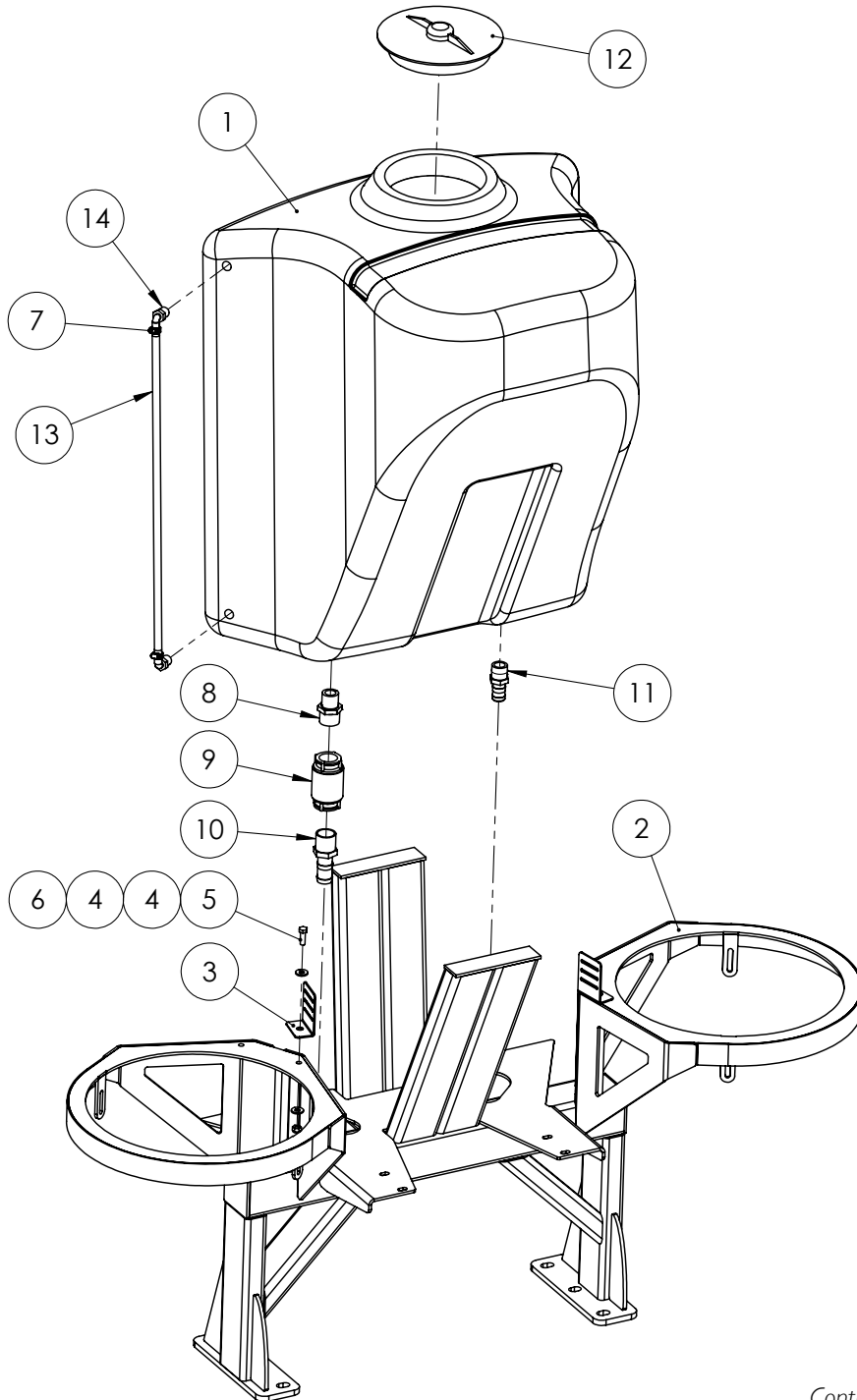


Chapter 3

FLUSH TANK

Rinse Water Tank & Frame



Continued over page

Rinse Water Tank & Frame

Pre Assembled flush tank 300L - GA4903505

ITEM NO.	PART NUMBER	DESCRIPTION	QTY.
1	GA5070015	Tank - Rinse water CCSP	1
	GA4654370	Rinse tank and DCI frame 07 SP - shown	1
2	GA4658970	Rinse Tank Frame - No DCI mounts	1
	GA4658915	Rinse tank frame - suit dual product	1
3	F70127A	50mm Tank Strap Bracket	2
4	GA5000117	Washer 10mm SS Heavy duty	4
5	GA5065455	Bolt Gr8.8 M10x30	2
6	GA5000141	M10 Nyloc Nut	2
7	GA5000469	1/2" SS hose clamp	2
8	RN125100	Reducing Nipple - 1 1/4" to 1"	1
9	GA5017361	Non return valve 1-1/4"	1
10	HB125	1-1/4" MPT X 1-1/4" Hose Shank	1
11	HB100	Hose Barb 1"	1
12	352022	Small Lid D255 c/w Breather	1
13	HOS12Sight	12mm Sight Tube Hose - 760 Long	1
14	HB050-90	Hose Barb Elbow 1/2	2
15	GA5003859	50mm Tank Strap - Cut 2300 Long (not shown)	1