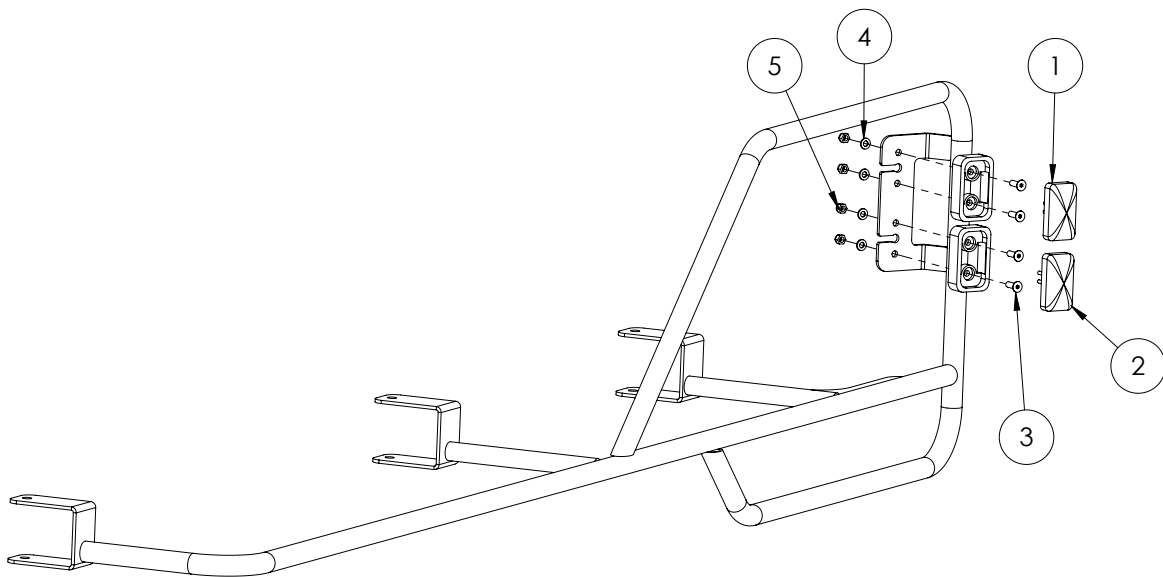


# Chapter 15

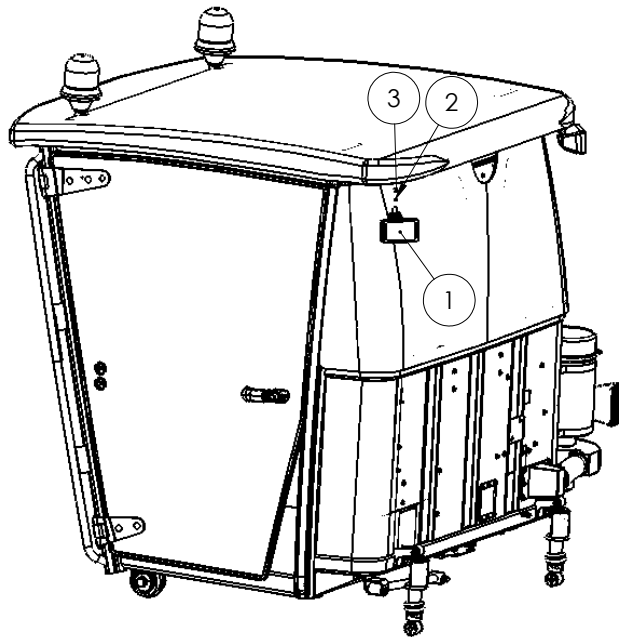
## ELECTRICS

### Lighting - Boom Tip LEDs



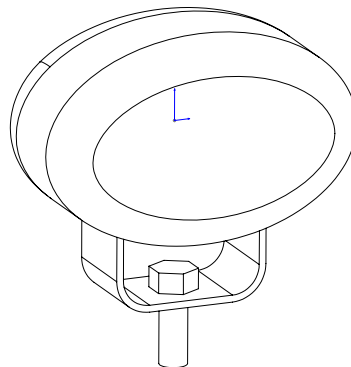
ITEM NO.	PART NUMBER	DESCRIPTION	QTY.
1	GA5060057	Clearance light with connector; Orange LED	1
2	GA5060056	Clearance light with connector; Red LED	1
3	GA5051230	CSCS M5 x 16 SS	4
4	GA5003983	Washer 5mm Flat SS	4
5	GA5003975	Nut M5 Nyloc SS	4

## Rear Of Cab Lights



ITEM NO.	PART NUMBER	DESCRIPTION	QTY.
1	GA5050105	Flood light Stingray	2
2	GA5003643	Washer 8mm SS HD	2
3	GA5052590	Nut M8 Nyloc S/S 316	2
4	GA5052780	HID light kit Slimline 55w 6000k H3 - not shown	2

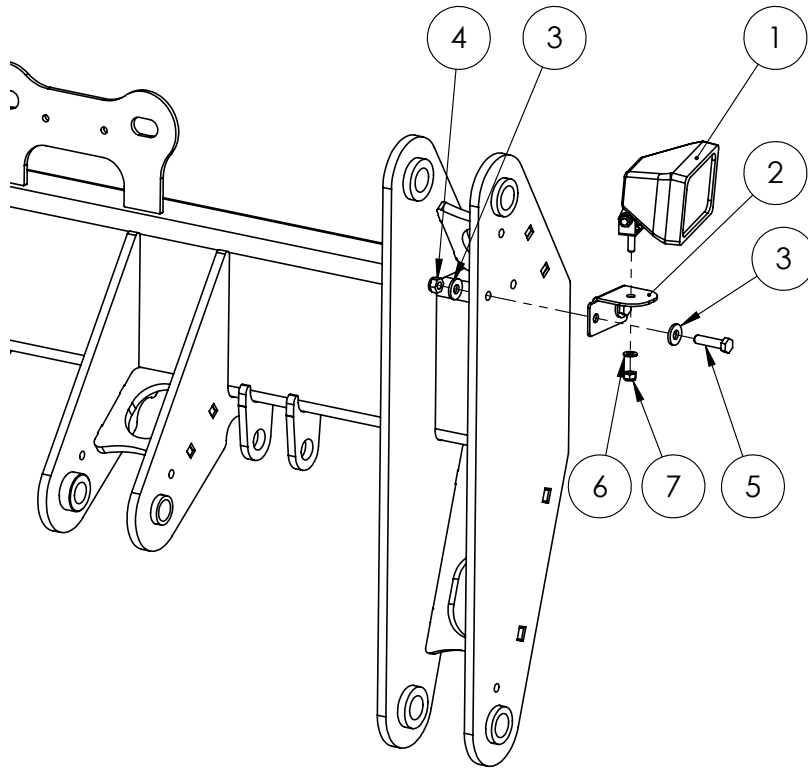
## Work Lights



ITEM NO.	PART NUMBER	DESCRIPTION	QTY.
1	GA5052325	Work Light - Narva 72446	3

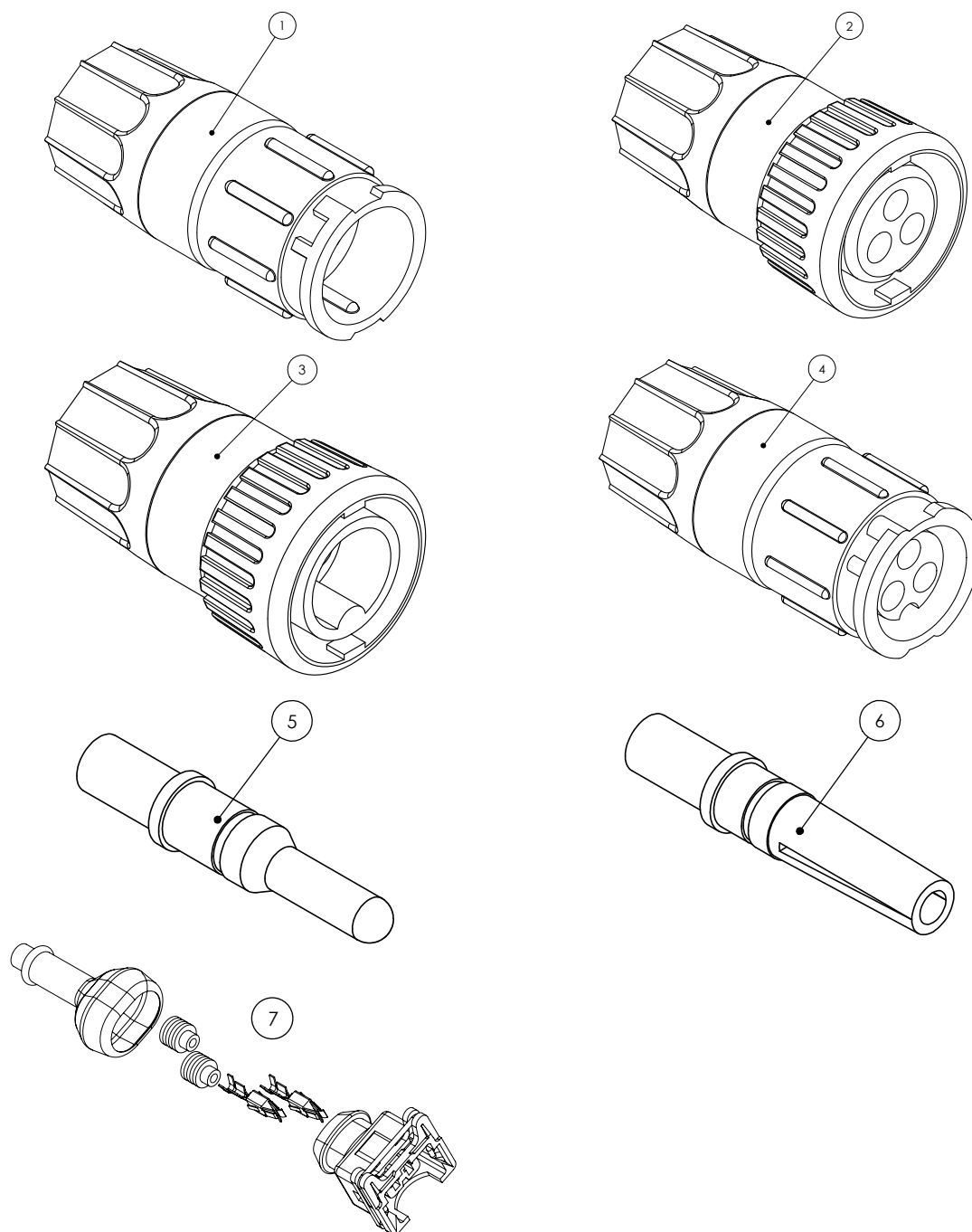
Lights mounted on rear cross member underneath sprayer; on left side hand rail near tank and on boom rest above spray pod.

# Boom Work Lights



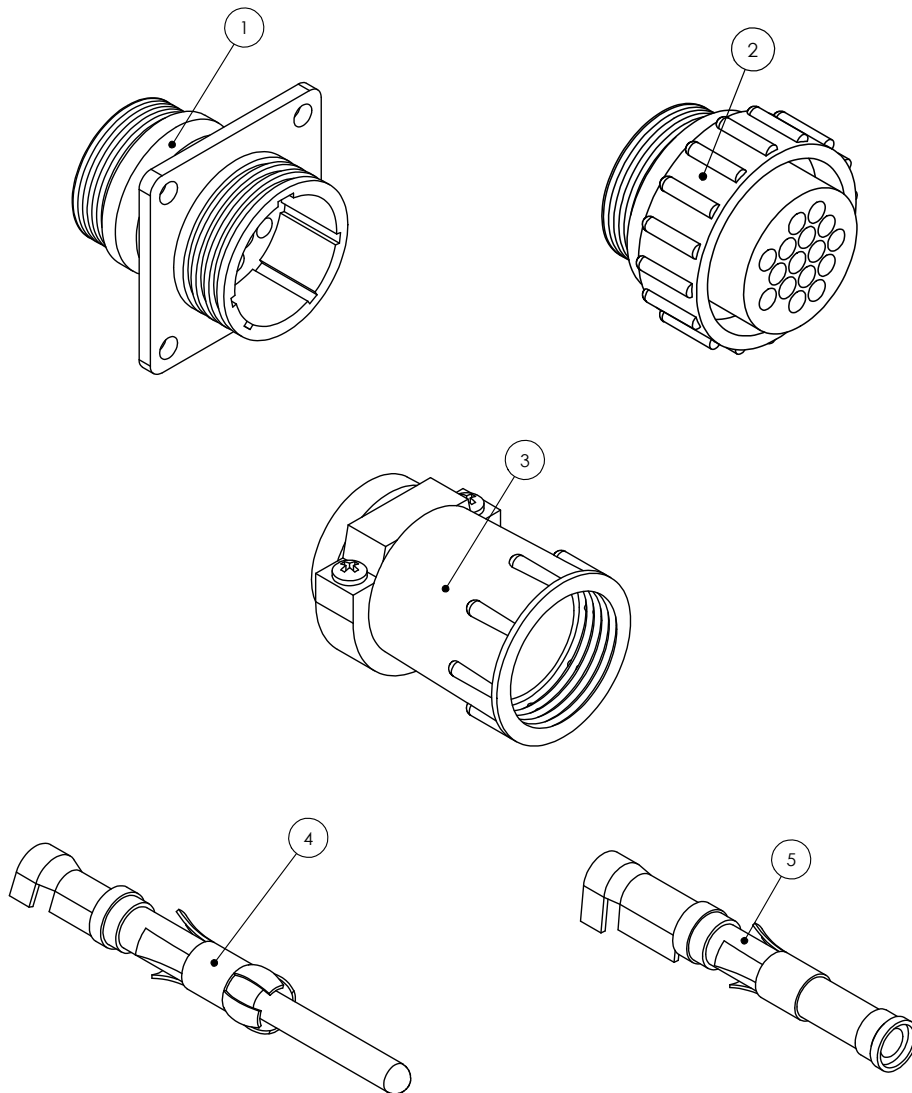
ITEM NO.	PART NUMBER	DESCRIPTION	QTY.
1	GA5050105	Flood light Stingray	2
2	GA4522570	Boom light mounting bracket suit EF	2
3	GA5000117	Washer 10mm SS Heavy duty	8
4	GA5000141	M10 Nyloc Nut	4
5	GA5006071	Bolt M10x40 GR10.9 ZP	4
6	GA5003643	Washer 8mm SS HD	2
7	GA5052590	Nut M8 Nyloc S/S 316	2

## Electrical Connectors - AMP



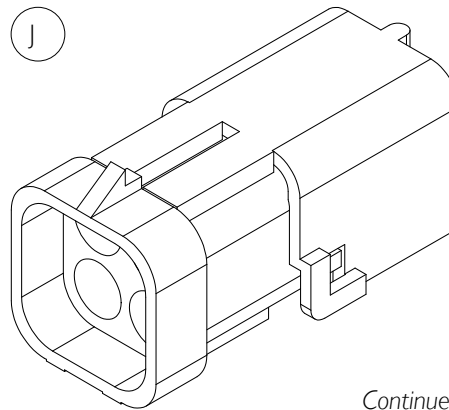
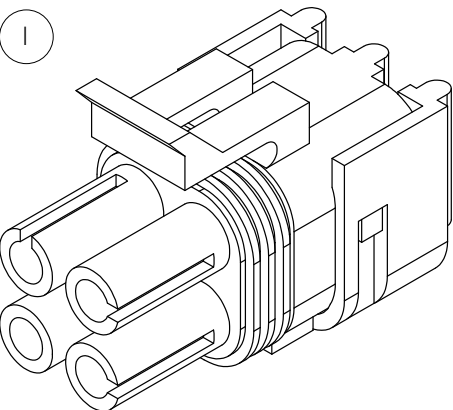
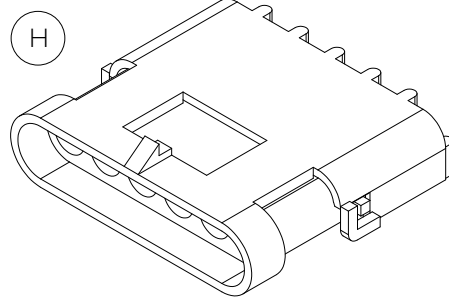
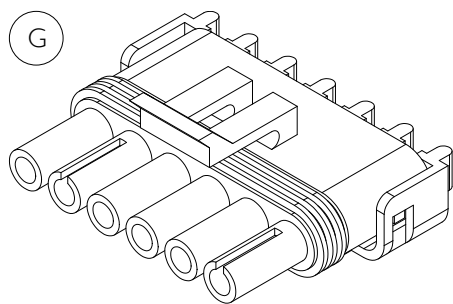
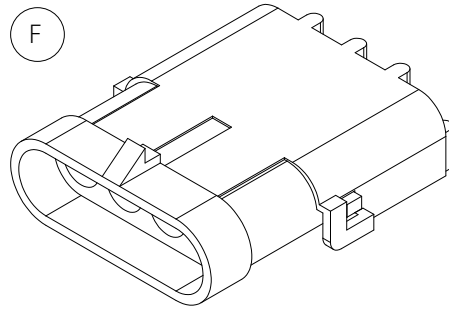
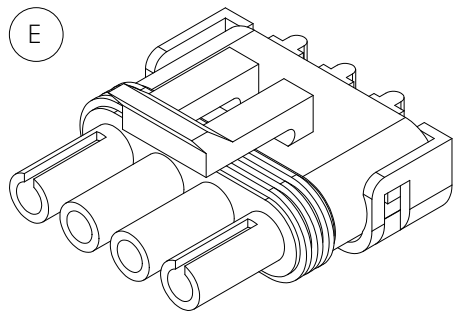
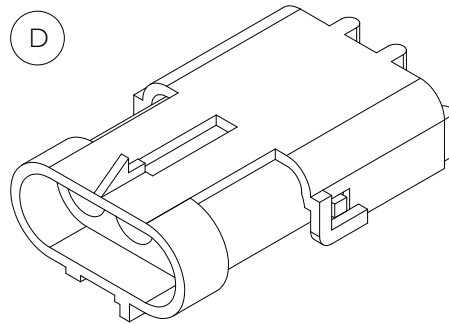
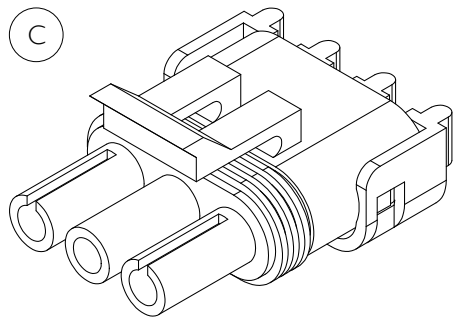
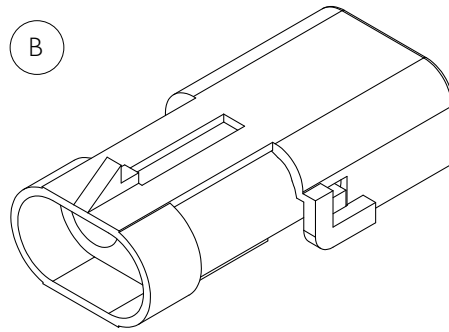
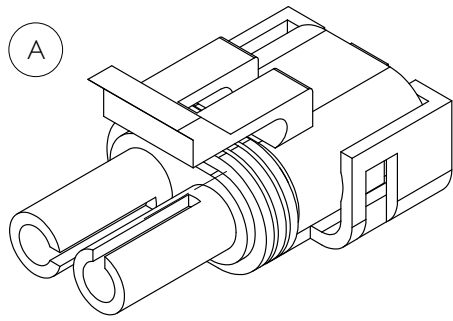
ITEM NO.	PART NUMBER	DESCRIPTION
1	4084001014	Connector; 3 Pin kit, Flow Meter; Including Male Pins, Raven
2	4084001015	Connector; 3 Pin kit, Flow Meter; Including Female Pins, Raven
3	4084001010	Connector; 3 Pin Kit, Speed Sensor; including Male Pins, Raven
4	4084001016	Connector; 3 Pin kit, Speed Sensor; Including Female Pins, Raven
5	4084001062	Pin, 16-20 Gauge, Male, Suit Speed Sensor - Flow Meter; Raven
6	4084001063	Pin, 16-20 Gauge, Female, Suit Speed Sensor - Flow Meter; Raven
7	GA5047728	Plug, 2 pin, Black, fuel injector connector; IP65K, AMP
-	GA5068945	Connector; 3 Pin AMP super seal waterproof male

# Electrical Connectors - AMP



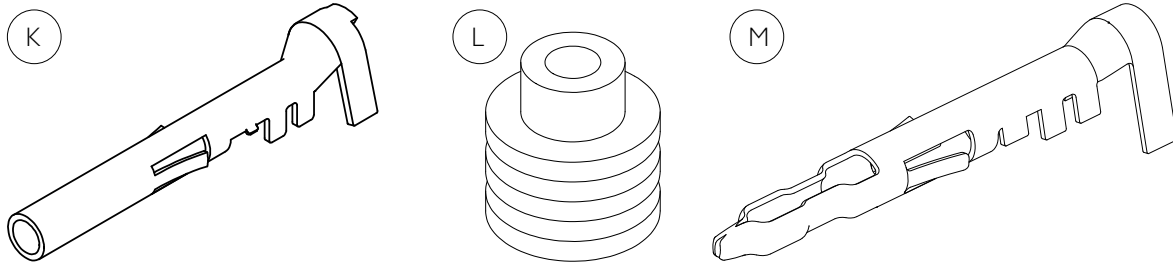
ITEM NO.	PART NUMBER	DESCRIPTION
1	4084001017	Connector, 16 Pin AMP, Square Flange, Suit Male Pins, Raven
2	4084001018	Connector, 16 Pin AMP, Suit Female Pins, Raven
3	GA5049175	Connector, Backing Shell, Suit 16 Pin AMP, Raven
4	GA5048905	Pin, 14-18 Gauge Gold, Male, Suit 16 Pin AMP
5	GA5048900	Pin, 14-18 Gauge Gold, Female, Suit 16 Pin AMP
-	GA5020785	Connector, 37 Pin AMP, Male, Raven
-	GA5020780	Connector, 37 Pin AMP, Female
-	GA5020560	Connector, Backing Shell 23, Suit 37 Pin AMP, Standard size
-	GA5020559	Connector, Backing Shell 23, Suit 37 Pin AMP, Large size
-	GA5020561	Connector Dust Cap, 37 Pin AMP, Male, Raven
-	GA5020575	Dust Cap, 16 Pin AMP Connector, Male
-	0630171042-E	Dust Cap, 16 Pin AMP Connector, Female
-	0630172526-B	DustCap 37 Pin Series 23 (4000 series Connector Dust Cap, 37 Pin AMP, Series 23, Raven

# Electrical Connectors - Weather Pack



Continued over page

## Electrical Connectors - Weather Pack



ITEM NO.	PART NUMBER	DESCRIPTION
-	GA5049685	Boot, Weather pack, Suit 2 pin connector
-	GA5049690	Boot, Weather pack, Suit 3 pin connector
A	GA5001351	Connector, Male, 2 Pin, Weather pack
B	GA5007381	Connector, 2 pin, Female, Weather pack
C	GA5002211	Connector, Male, 3 pin, Weather pack
D	GA5048550	Connector, Female, 3 Pin, Weather pack
E	GA5007385	Connector, Male, 4 pin, Weather pack
F	GA5007383	Connector, Female, 4 pin, Flat, Weather pack
G	GA5004009	Connector, Male, 6 pin, Weather pack
H	GA5048510	Connector, Female, 6 pin, Weather pack
I	GA5049000	Connector, Female, 4 pin, Square, Weather pack
J	GA5050805	Connector, Male, 4 pin, Square, Weather pack
K	GA5016619	Pin, Female, Sealed, Weather pack, Wire 1.0 - 2.0mm
L	GA5014857	Seal, Green, Weather pack connector; Wire from 2.03 - 2.85mm
M	GA5016617	Pin, Male, Sealed, Weather pack, Wire 1.0 - 2.0mm

