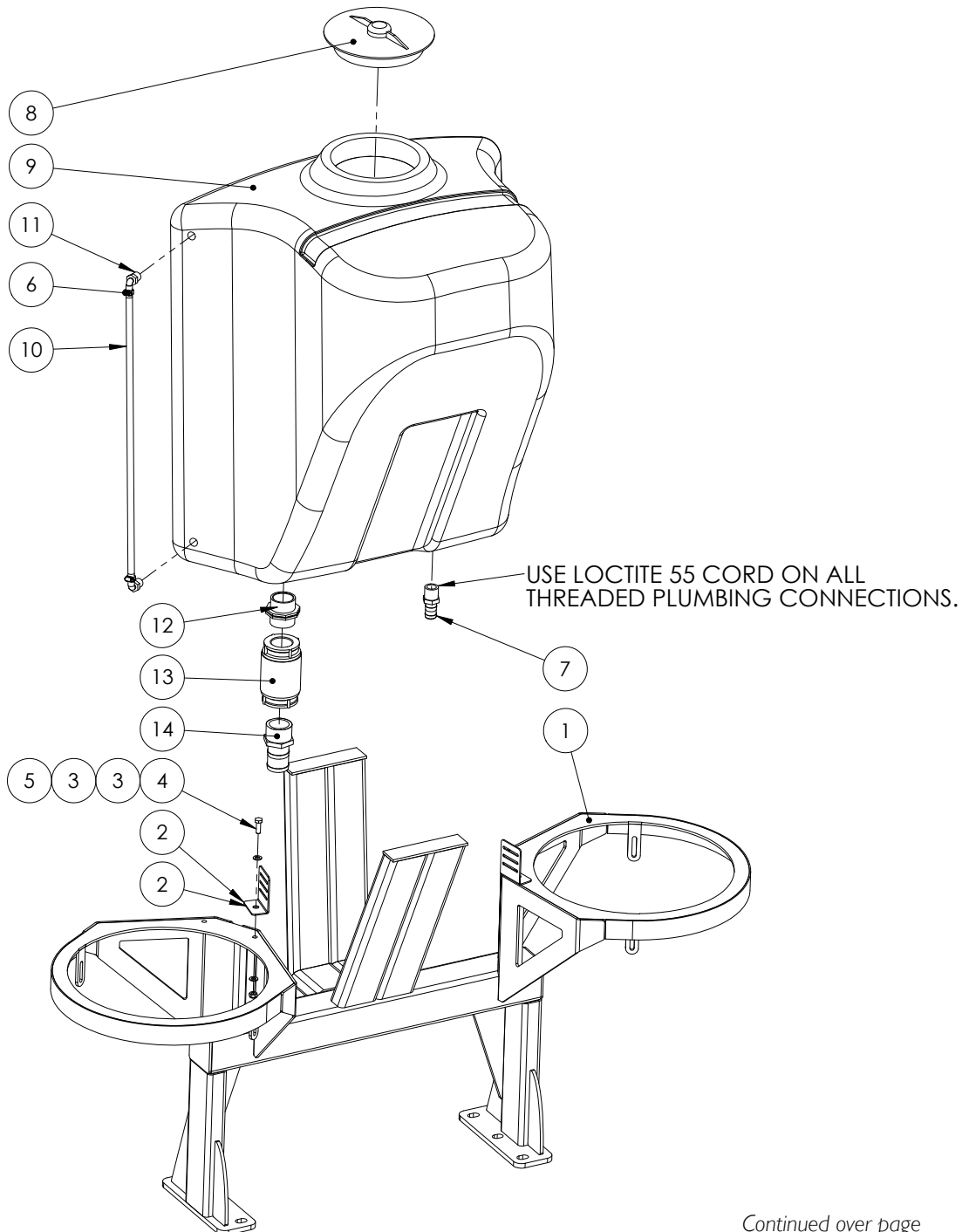


Chapter 3

FLUSH TANK

Flush Tank & DCI Frame - G5

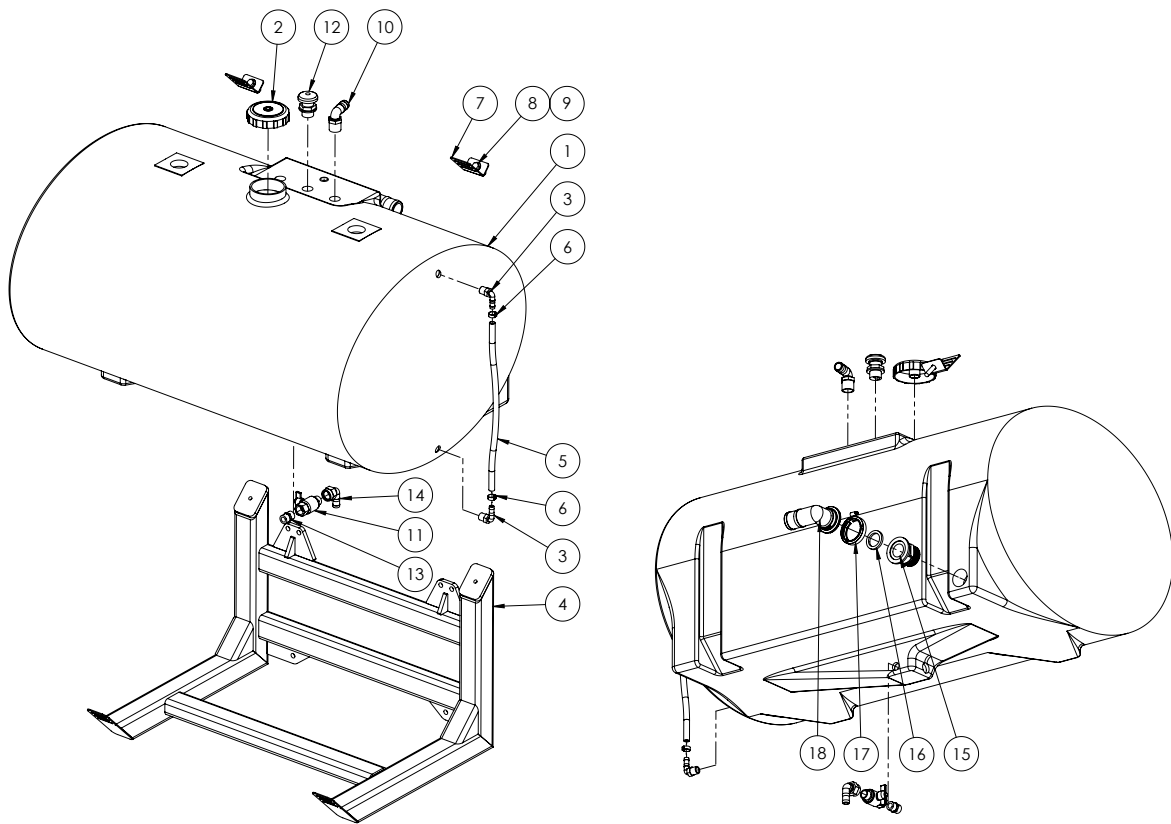


Continued over page

Flush Tank & DCI Frame - G5

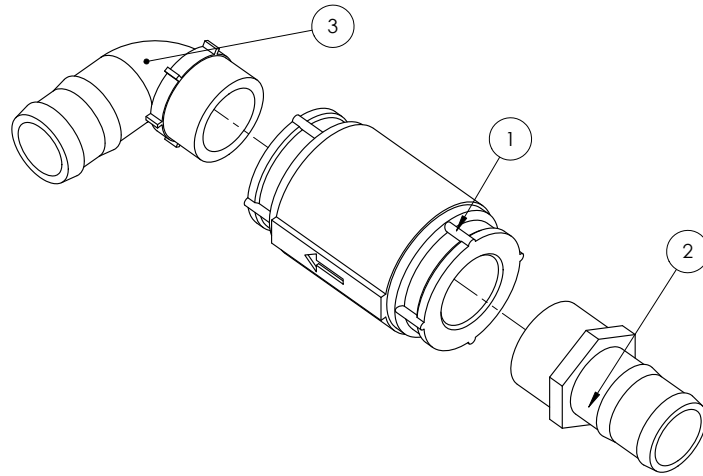
| ITEM NO. | PART NUMBER | DESCRIPTION | QTY. |
|----------|-------------|---|------|
| 1 | GA4654370 | Rinse tank and DCI frame | 1 |
| 2 | F70127A | Bracket, Tank strap, 50mm | 2 |
| 3 | GA5000117 | Washer 10mm Flat SS HD | 4 |
| 4 | GA5065455 | Bolt M10 x 30 GR8.8 ZP | 2 |
| 5 | GA5000141 | Nut M10 Nyloc ZP | 2 |
| 6 | GA5000469 | Hose clamp, 1/2", SS, 12-20/9W3 | 2 |
| 7 | GA5077718 | Hose barb, Straight, 1" male thread x 1" hose, Banjo | 1 |
| 8 | 352022 | Small lid, Diameter 255mm, With breather, ARAG | 1 |
| 9 | GA5070015 | Tank, 300L, fresh water crop cruiser, Bare | 1 |
| 10 | GA2000210 | Hose, 12mm, Clear, Wire reinforced | 1 |
| 11 | HB050-90 | Hose barb, Elbow, 90 degree, 1/2" male thread x 1/2" hose | 2 |
| 12 | GA5078410 | Plumbing fitting, Nipple, 2" | 1 |
| 13 | GA2000111 | Valve, Check, 2" Female Thread Inlet and Outlet | 1 |
| 14 | GA5077737 | Hose barb, Straight, 2" male thread x 2" hose | 1 |

Flush Tank & Frame - G6



| ITEM NO. | PART NUMBER | DESCRIPTION | QTY. |
|----------|-------------|---|------|
| 1 | GA5069961 | Tank, 520L, Fresh Water SP Black, Bare | 1 |
| 2 | GA5076885 | Lid, Diameter 113mm, With breather | 1 |
| 3 | GA5077708 | Hose barb, Elbow, 90 degree, 1/2" male thread x 1/2" hose | 2 |
| 4 | GA4658936 | Fresh Water Tank Frame 520L | 1 |
| 5 | GA2000210 | Hose, 12mm, Clear, Wire reinforced | 1 |
| 6 | GA5007231 | Hose clamp, Cobra type, 1/2" | 2 |
| 7 | F70127A | Bracket, Tank strap, 50mm | 2 |
| 8 | GA5011239 | Bolt, M12 x 50, ZP GR 8.8 | 2 |
| 9 | GA5007475 | Washer 12 x 22mm Copper | 2 |
| 10 | GA5077723 | Hose barb, Elbow, 90 degree, 1" male x 1" hose, Banjo | 1 |
| 11 | GA5018315 | Valve, Ball, 20mm male & female thread, Black Butterfly handle | 1 |
| 12 | GA5077045 | Breather valve, Labyrinth type, 1" male thread, Arag | 1 |
| 13 | GA5077913 | Nipple, 3/4" male x 3/4" male, Short, Banjo | 1 |
| 14 | GA5077746 | Hose barb, Elbow, 90 degree, 3/4" female thread x 3/4" hose | 1 |
| 15 | GA5077839 | Plumbing coupling, Straight, 2" flange x 2" BSP male, Banjo | 1 |
| 16 | GA5009335 | Seal, 41.5mm ID x 55mm OD x 6.5mm thick, EPDM, suit 1 1/2" flange | 1 |
| 17 | FC200 | Clamp, Worm screw, Use with 2" standard flange port, Banjo | 1 |
| 18 | GA5077838 | Hose barb, Elbow, 90 degree, 2" flange x 2" hose, Banjo | 1 |

Flush Tank - Check Valve Assembly - G6



| ITEM NO. | PART NUMBER | DESCRIPTION | QTY. |
|----------|-------------|---|------|
| 1 | GA2000111 | Valve, Check, 2" Female Thread Inlet and Outlet | 1 |
| 2 | GA5077737 | Hose barb, Straight, 2" male thread x 2" hose | 1 |
| 3 | GA5077740 | Hose barb, Elbow, 90 degree, 2" male thread x 2" hose | 1 |