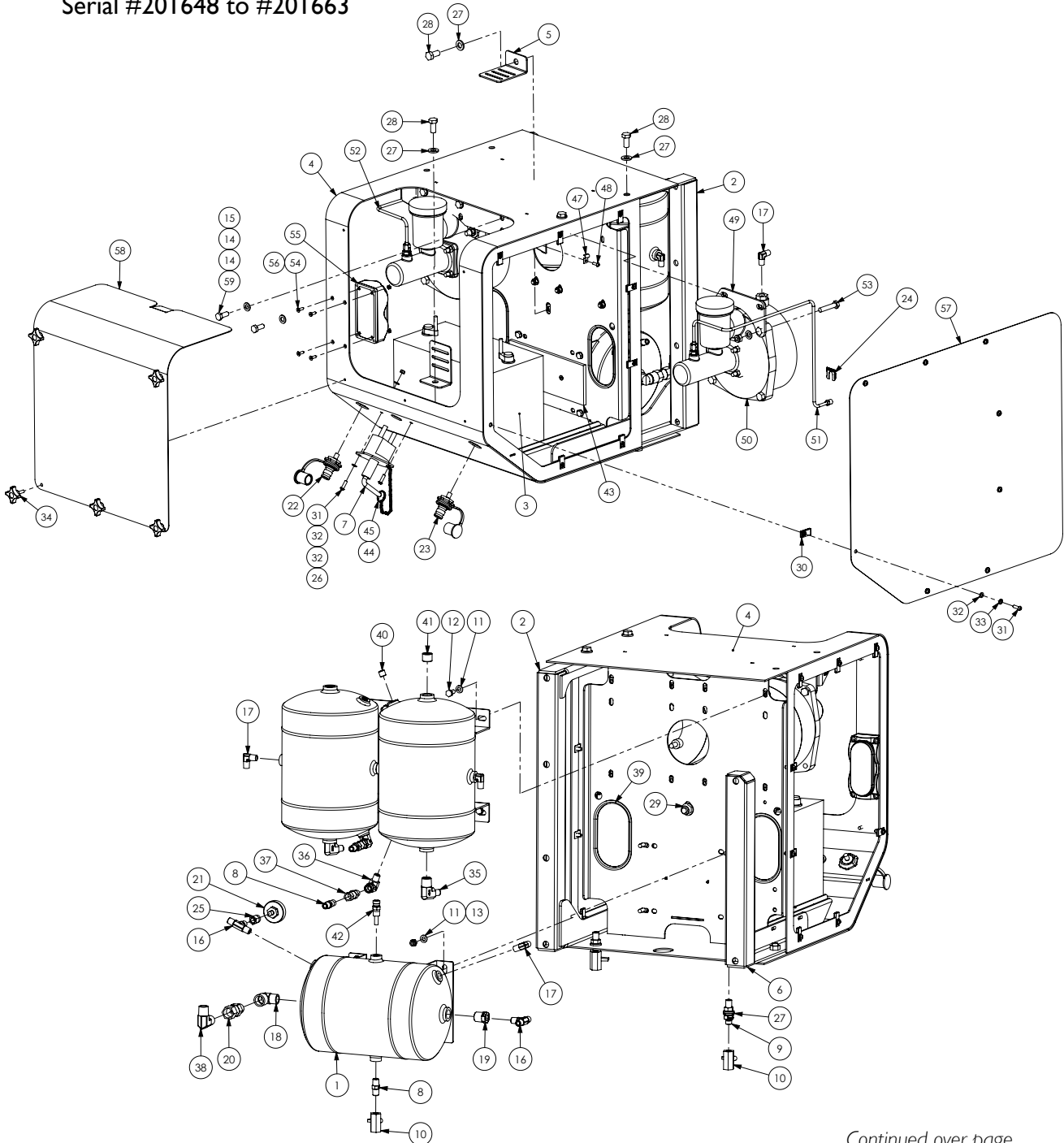


# Chapter 4

## RH POD

### Brake Booster Pod - Catai Booster

Serial #201648 to #201663



Continued over page

## Brake Booster Pod - Catai Booster

ITEM NO.	PART NUMBER	DESCRIPTION	QTY.
1	GA5070310	Air tank, Large	3
2	GA4658806	Brake pod support arm	1
3	GA5066240	Battery, Delkor 31-900, 900 CCA	2
4	GA4658080	Pod frame, Brake and Air tanks	1
5	F70127A	Bracket, Tank strap, 50mm	2
6	GA4658085	Mount arm, Brake Pod boom rest side	1
7	GA5005787	Battery isolator switch large	1
8	GA3500218	Hydraulic adaptor, Nipple, 1/4" BSP x 1/4" BSP	3
9	GA3500249	Hydraulic adaptor, Bulkhead nipple, 1/4" BSP male x 1/4" BSP male	2
10	GA5018321	Valve, Ball, 1/4" female thread inlet / outlet, Lever handle, SS	3
11	GA5003643	Washer 8mm Flat SS HD	24
12	GA5004085	Bolt M8 x 20 ZP GR8.8	12
13	GA5004917	Nut M8 Nyloc ZP	12
14	GA5000117	Washer 10mm Flat SS HD	8
15	GA5000141	Nut M10 Nyloc ZP	4
16	GA3500269	Hydraulic adaptor, Tee, 1/4" BSP male x 1/4" BSP male x 1/4" BSP male	2
17	GA3500258	Hydraulic coupling, Elbow, 90 degree, 1/4" BSPT male x 1/4" BSPT male	5
18	GA5048150	Plumbing adaptor, Elbow, 90 degree, 1/2" male thread x 1/2" female thread, Cast	1
19	GA3500203	Hydraulic adaptor, Reducing bush, 1/2" BSPT male x 1/4" BSPT female	1
20	GA5014795	SC3 single check valve 1/2" M/F	1
21	GA5011059	Pressure switch, Low air, 55 PSI actuation, SPDT, 1/8"	1
22	GA5006383	Battery Jumper Stud Positive	1
23	GA5006381	Battery Jumper Stud Negative	1
24	GA5010359	Clip for brake hose	2
25	GA5069925	1/4" - 1/8" BSPT female reducing socket	1
26	GA5048115	Nut M6 Nyloc ZP	2
27	GA5000577	Washer 12mm Flat SS HD	13
28	GA5011229	Bolt M12 x 25 ZP GR8.8	8
29	GA5012461	Nut M12 Nyloc ZP	1
30	GA5066830	Speed clip M6	16
31	GA5004053	BHCS M6 x 20 SS	18
32	GA5004437	Washer 6mm Flat SS	20
33	GA5004447	Washer 6mm Spring SS	16
34	GA5069965	Star Knob 40 OD x M6 x 20mm	5

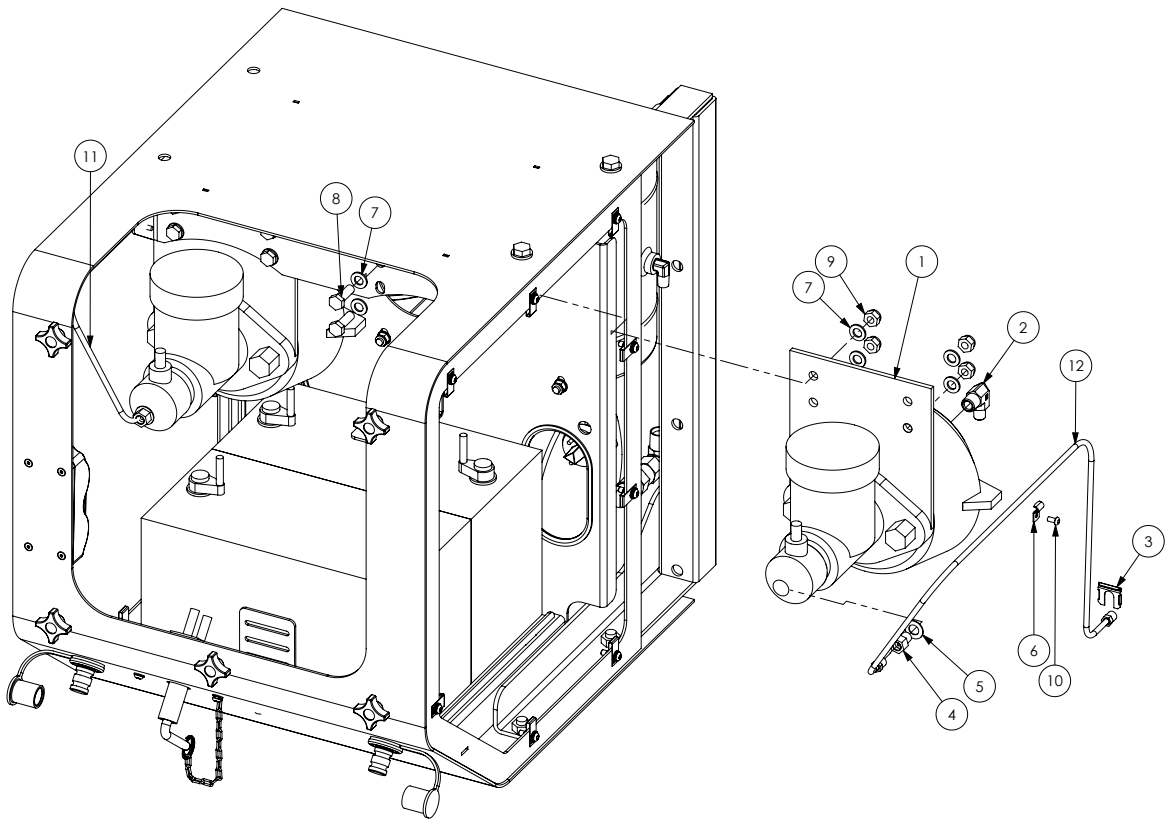
Continued over page

## Brake Booster Pod - Catai Booster

ITEM NO.	PART NUMBER	DESCRIPTION	QTY.
35	GA3500260	Hydraulic adaptor, Elbow, 90 degree, 1/2" BSPT male x 1/4" BSPT male	2
36	GA3500209	Hydraulic adaptor, Elbow, 90 degree, 1/4" BSPT male x 1/4" BSPT female	2
37	GA5014796	Valve, Check, Pneumatic, 1/4" thread female inlet & male outlet	2
38	GA3500262	Hydraulic adaptor, Elbow, 90 degree, 1/2" BSPT male x 1/8" BSPT male	1
39	GA5012989	Pinchweld, Small Black S/Bulb 10mm x 16mm (cut 380mm)	2
40	GA5070300	Plug - Flush fit 1/4" BSPT	4
41	GA5070305	Plug - Flush fit 1/2" BSPT	2
42	GA5017369	Valve Pressure Relief	1
43	GA5069915	Nylon spacer Battery box SP 2011	1
44	GA5001491	Chain 2mm x 20 SS	1
45	GA5002077	Key ring, 25mm, SS	1
46	GA5003859	Strap, Tank, 50mm, Goldacres branded - (Cut 670mm Long)	1
47	GA5007205	Clip for brake line 3/16"	2
48	GA0500004	BHCS M5 x 20, SS	2
49	GA4505910	Mounting Plate Brake Booster Catai	2
50	GA5070890	Brake Booster Catai 2013 Crop Cruiser	2
51	GA4905480	Brake Tube Assembly 1 Catai Booster	1
52	GA4905481	Brake Tube Assembly 2 Catai Booster	1
53	GA5006057	Bolt M10 x 50 ZP GR8.8	4
54	GA5051230	CSCS M5 x 16 Countersink SS	6
55	GA5050630	Buss Bar, 300 amp	1
56	GA5069695	Nut M5 Plain ZP	4
57	GA4514573	End cover 09 Cropcruiser DCI pod full cover	2
58	GA4503490	Cover - POD shell Brake / Air Pod 2011	1
59	GA5006161	Bolt M10 x 25 ZP GR8.8	4

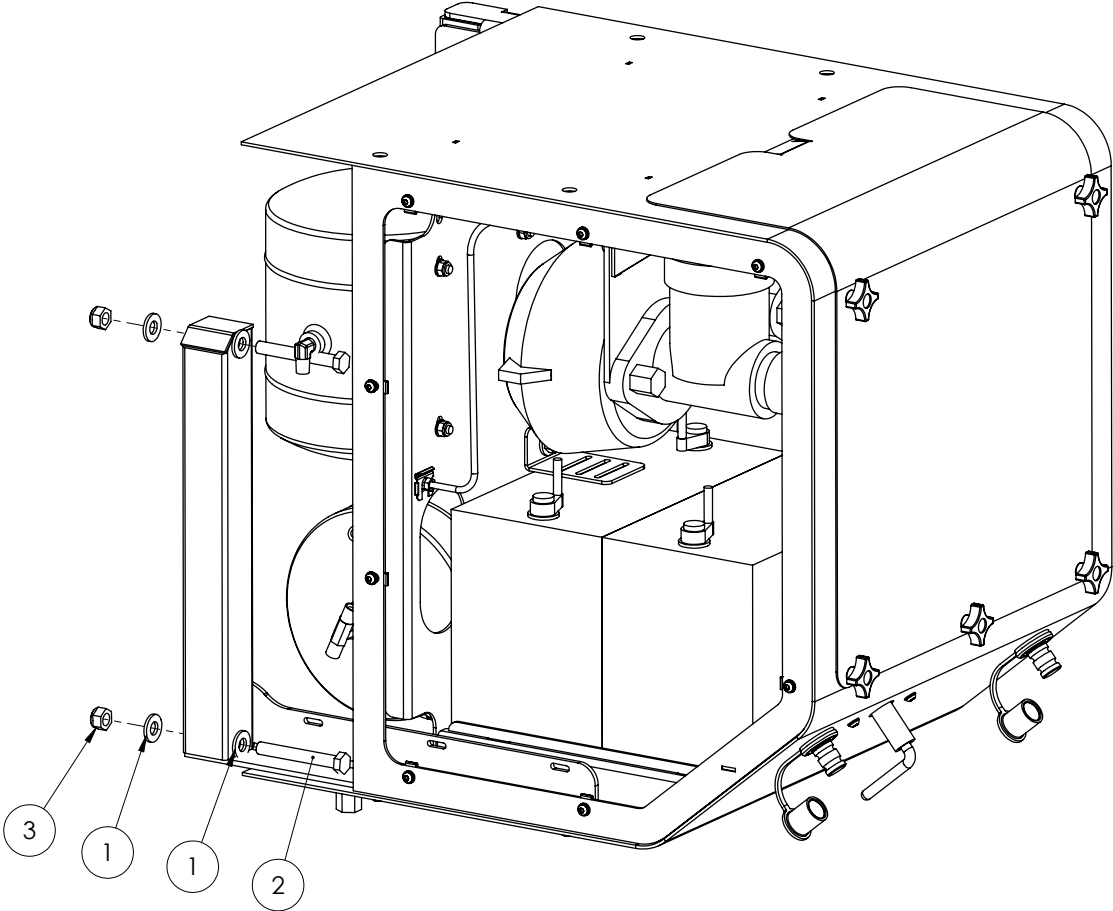
# Brake Booster Pod - PBR Booster

Serial #201665 on



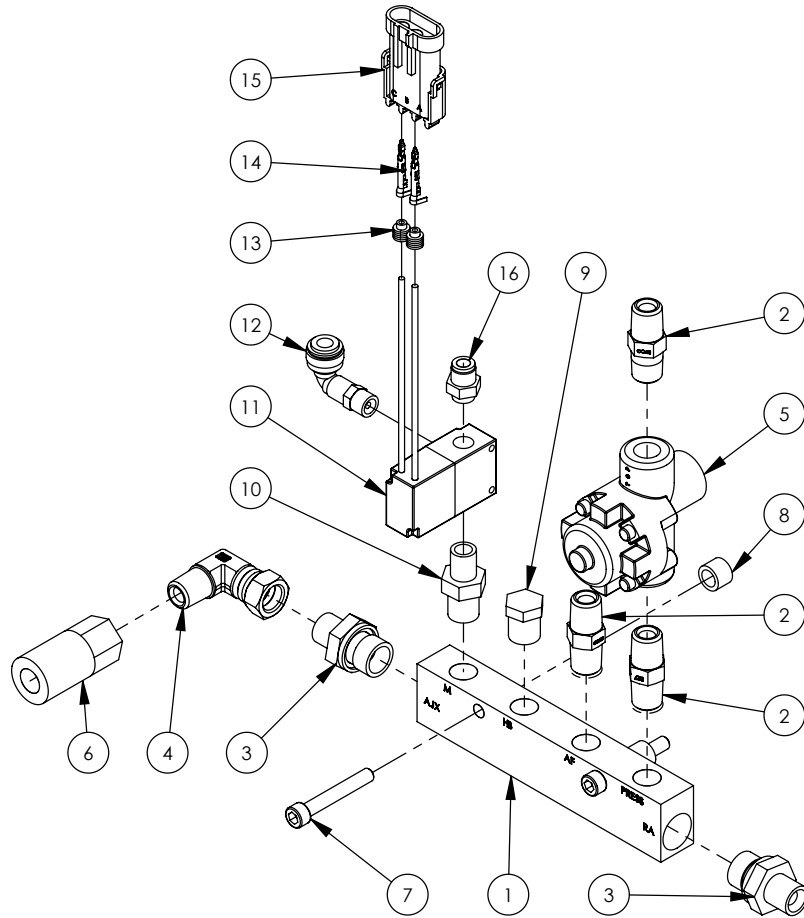
ITEM NO.	PART NUMBER	DESCRIPTION	QTY.
1	GA5006711	Brake booster, CA14 Master Cylinder Unit	2
2	GA3500259	Hydraulic adaptor, Elbow, 90 degree, 3/8" BSPT male x 1/4" BSPT male	2
3	GA5010359	Clip for brake hose	2
4	GA5012999	Pipe Adapter	2
5	GA5007475	Washer 12 x 22mm Copper	2
6	GA5007205	Clip for brake line 3/16"	2
7	GA5000117	Washer 10mm Flat SS HD	16
8	GA5065455	Bolt M10 x 30 ZP GR8.8	8
9	GA5000141	Nut M10 Nyloc ZP	8
10	GA0500004	BHCS M5 x 20, SS	2
11	GA4905135	Brake Line Pod - Rear Master	1
12	GA4905130	Brake Line Pod - Front Master	1

# Brake Booster Pod - Mounting



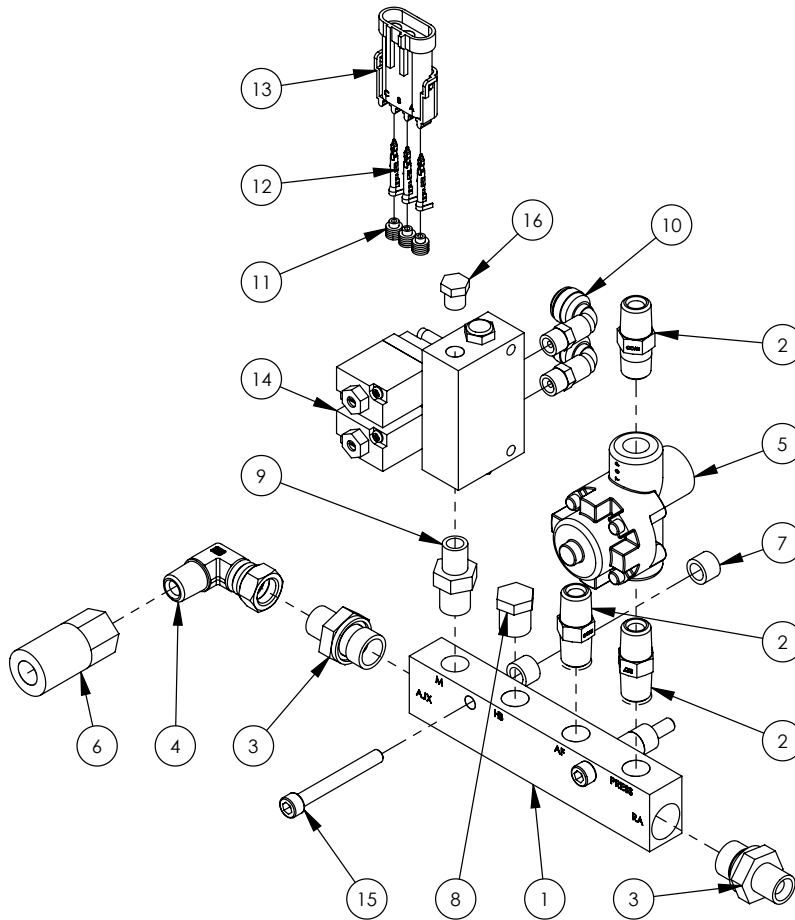
ITEM NO.	PART NUMBER	DESCRIPTION	QTY.
1	GA5000577	Washer 12mm Flat SS HD	8
2	GA5011263	Bolt M12 x 90 ZP GR8.8	4
3	GA5012461	Nut M12 Nyloc ZP	4

# Pneumatic Manifold - 2WD



ITEM NO.	PART NUMBER	DESCRIPTION	QTY.
1	GA5069195	Manifold Pneumatic, 3/8"- 1/4", 2 in 4 out	1
2	GA3500218	Hydraulic adaptor, Nipple, 1/4" BSPT male x 1/4" BSPT male	3
3	GA3500307	Hydraulic adaptor, Nipple, 1/4" BSPT male x 3/8" BSPP male	2
4	GA3500332	Hydraulic adaptor, Elbow, 90 degree, 1/4" BSPT male x 1/4" BSPP female swivel	1
5	GA5013433	Pressure Protection Valve	1
6	GA5076620	Coupling, Air, 1/4" BSPP female x female	1
7	GA5011411	SHCS M6 x 40 ZP GRI 2.9	2
8	GA4572280	Crush tube, 11.8 OD x 8 ID x 8.5mm long	2
9	GA5069335	Plug, 1/4" BSPT male thread, Brass	1
10	GA5013809	Reducing Nipple 1/4" x 1/8"	1
11	GA5071235	Pneumatic Solenoid Valve MAC 35 Series 1/8" Ports with Fly leads	1
12	GA5045145	Elbow, swivel, push in 6mm, Brass 1/8" BSP	1
13	GA5014857	Seal, Green, Weather pack connector, Wire from 2.03 - 2.85mm	2
14	GA5016617	Pin, Male, Sealed, Weather pack, Wire 1.0 - 2.0mm	2
15	GA5048550	Connector, Female, 3 Pin, Weather pack	1
16	GA5050210	Pneumatic fitting, Nipple, 1/8" BSPP male x 6mm push type	1

# Pneumatic Manifold - 4WD



ITEM NO.	PART NUMBER	DESCRIPTION	QTY.
1	GA5069195	Manifold Pneumatic, 3/8"- 1/4", 2 in 4 out	1
2	GA3500218	Hydraulic adaptor, Nipple, 1/4" BSPT male x 1/4" BSPT male	3
3	GA3500307	Hydraulic adaptor, Nipple, 1/4" BSPT male x 3/8" BSPP male	2
4	GA3500332	Hydraulic adapter, Elbow, 90 degree, 1/4" BSP male x 1/4" BSP female swivel	1
5	GA5013433	Pressure protection valve	1
6	GA5076620	Coupling, Air, 1/4" BSPP female x female	1
7	GA4572280	Crush tube, 11.8 OD x 8 ID x 8.5mm long	4
8	GA5069335	Plug, 1/4" BSPT male thread, Brass	1
9	GA5013809	Reducing Nipple 1/4" x 1/8"	1
10	GA5045145	Elbow, swivel, push in 6mm, Brass 1/8" BSP	2
11	GA5014857	Seal, Green, Weather pack connector, Wire from 2.03 - 2.85mm	3
12	GA5016617	Pin, Male, Sealed, Weather pack, Wire 1.0 - 2.0mm	3
13	GA5048550	Connector, Female, 3 Pin, Weather pack	1
14	GA5068804	Pneumatic valve bank 2 section with manual override	1
15	GA5011421	SHCS M6 x 50 ZP GR12.9	2
16	GA5055720	Plug, Brass, 1/8" BSPT	1

