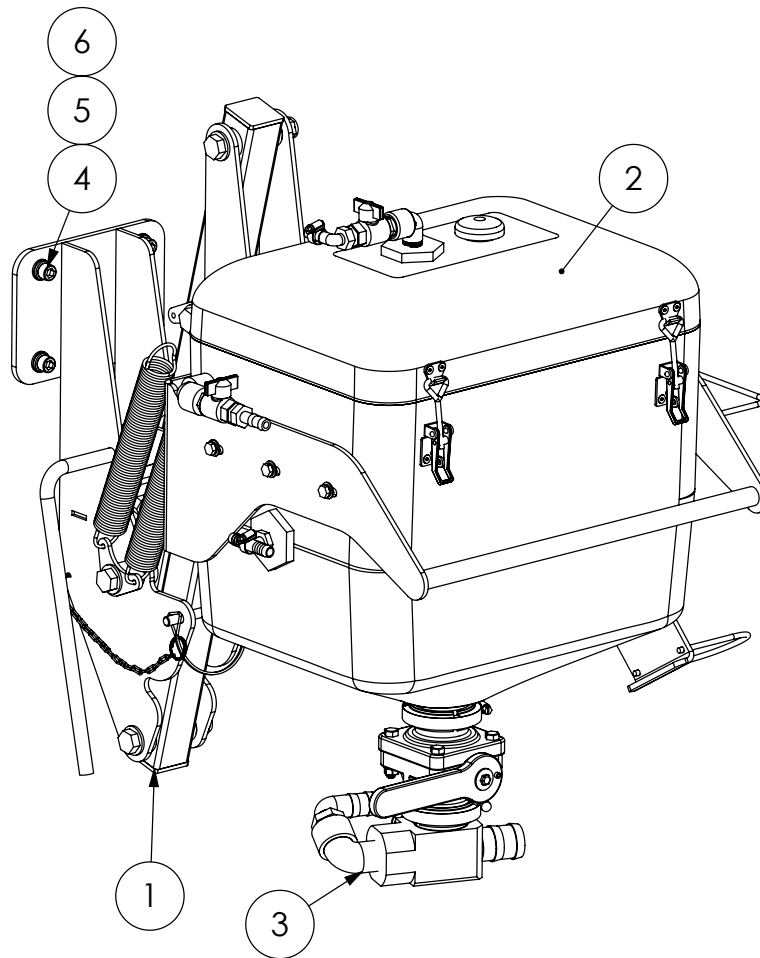


Chapter 8

INDUCTION HOPPER

Induction Hopper - 60L



| ITEM NO. | PART NUMBER | DESCRIPTION | QTY. |
|----------|-------------|----------------------------------------------------------------|------|
| - | GA4524985 | Plate, Hopper Mount Adaptor; Offset, Self Propelled (optional) | - |
| 1 | * | Induction Hopper - Frame | 1 |
| 2 | * | Induction Hopper - Tank Assembly | 1 |
| 3 | * | Hopper Bottom 2" Flanged | 1 |
| 4 | GA5000577 | Washer 12mm Flat SS HD | 4 |
| 5 | GA5000575 | Washer 12mm Spring SS | 4 |
| 6 | GA5000297 | SHCS M12 x 25 ZP GR12.9 | 4 |

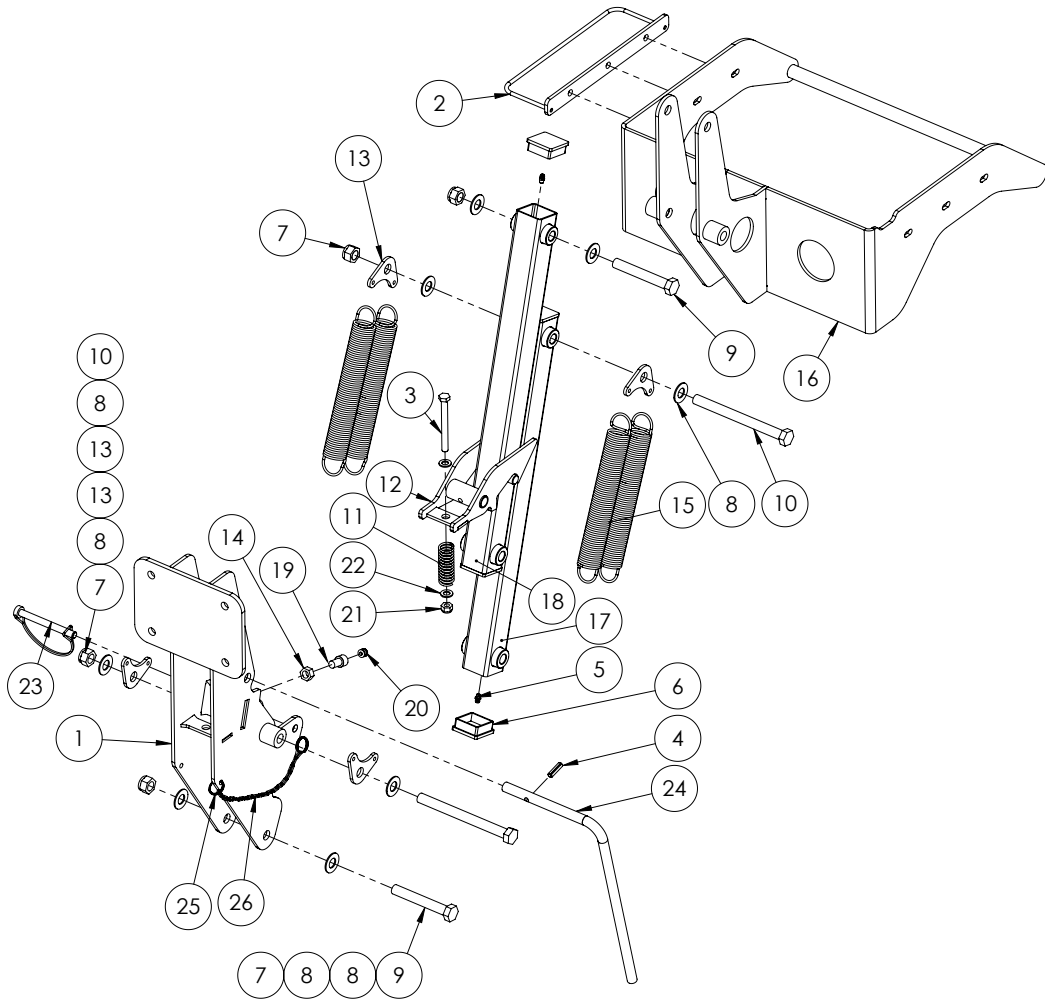
* Sub-assembly on following pages

Induction Hopper - Tank Assembly

| ITEM NO. | PART NUMBER | DESCRIPTION | QTY. |
|----------|-------------|----------------------------------------------------------------|------|
| 1 | GA5071208 | Tank, Induction Hopper, 60L with Flange, includes lid | 1 |
| 2 | * | Pre-assembled 60L Hopper Bottom 2" Flanged | 1 |
| 3 | GA5077708 | Hose barb, Elbow, 90 degree, 1/2" male thread x 1/2" hose | 1 |
| 4 | GA5020615 | Valve, Ball, 12mm, 1/2" Male, Female Butterfly, Brass | 2 |
| 5 | GA5078133 | Street elbow, 90 degree, 1/2" female thread x 1/2" male thread | 2 |
| 6 | GA5078156 | Tank flange, 1/2" female threads | 2 |
| 7 | GA5077045 | Breather valve, Labyrinth type, 1" male thread | 1 |
| 8 | GA5051230 | CSCS M5 x 16 SS A2-70 | 23 |
| 9 | GA5003983 | Washer 5mm Flat SS | 23 |
| 10 | GA5003974 | Nut M5 Nyloc ZP | 23 |
| 11 | GA5077063 | Nozzle, Drum & container rinsing | 1 |
| 12 | GA5077062 | Valve, Drum & container rinsing nozzle | 1 |
| 13 | GA5077911 | Nipple, Short, 1/2" male thread x 1/2" male thread | 1 |
| 14 | GA5077652 | Street elbow, 90 degree, 1/2" female thread | 1 |
| 15 | GA5077702 | Hose barb, Straight, 1/2" male thread x 1/2" hose | 1 |
| 16 | RN075050 | Reducing nipple, 3/4" male thread x 1/2" male thread | 1 |
| 17 | GA5077336 | Nozzle, Tank rinsing, 3/4" BSPT female inlet | 1 |
| 18 | GA5077704 | Hose barb, Elbow, 90 degree, 1/2" male thread x 3/4" hose | 1 |
| 19 | GA4522296 | Level indicator, 60L induction hopper | 1 |
| 20 | GA5006661 | Hinge, Butt, 70 long x 50 wide x 1.5, SS | 2 |
| 21 | GA5016473 | Tape PM foam 6.4 x 18 L/Density | 1 |
| 22 | GA3500391 | Tee, Threaded, 1/2" male x 1/2" hose, T12T | 1 |
| 23 | GA5007071 | Latch, Adjustable, Induction Hopper Lid | 2 |
| 24 | GA5076615 | Seal, EPDM, Suit 2" flange fitting | 1 |
| 25 | FC220 | 2" Full Port Worm Screw Clamp | 1 |

* Sub-assembly on following pages

Induction Hopper - Frame Assembly



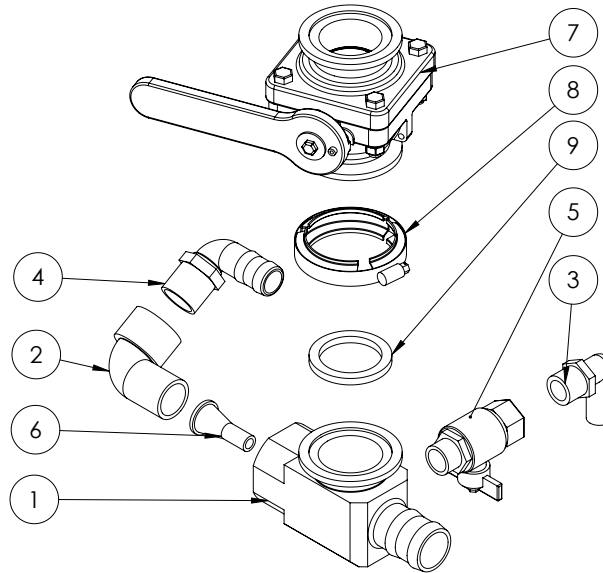
| ITEM NO. | PART NUMBER | DESCRIPTION | QTY. |
|----------|-------------|------------------------------------------------------------------|------|
| 1 | GA4657560 | CCSP Hopper Mounting Assembly | 1 |
| 2 | GA4659155 | Hose guide bracket SP Hopper 201 I | 1 |
| 3 | GA5006091 | Bolt M10 x 100 GR8.8 ZP | 1 |
| 4 | GA5075130 | Roll pin M8 x 30mm coated | 1 |
| 5 | GA5012203 | Grease nipple, Short, 1/4" UNF | 4 |
| 6 | GA5003783 | End cap, Insert, Black, Plastic, 50 x 50 mm | 4 |
| 7 | GA5001029 | Nut M16 Nyloc ZP | 4 |
| 8 | GA5001043 | Washer 16mm Flat SS HD | 8 |
| 9 | GA5000855 | Bolt M16 x 110 ZP GR8.8 | 2 |
| 10 | GA5000879 | Bolt M16 x 180 ZP GR8.8 | 2 |
| 11 | GA5007329 | Spring compression, 76.2mm x 25.4 x 3.15mm, gold | 1 |
| 12 | GA4653490 | Induction Hopper latch Advance | 1 |
| 13 | GA4522294 | Mounting plate, Double Induction Hopper spring | 4 |
| 14 | GA5000559 | Nut M12 Hex ZP | 1 |
| 15 | GA5007073 | Spring, Tension, 38.2 OD x 284.3 long x 3.55mm, Induction Hopper | 4 |
| 16 | GA4656855 | Induction Hopper, tank support 60L | 1 |

Continued over page

Induction Hopper - Frame Assembly

| ITEM NO. | PART NUMBER | DESCRIPTION | QTY. |
|----------|-------------|--------------------------------------------------------------|------|
| 17 | GA4657570 | CCSP Lower Hopper Arm | 1 |
| 18 | GA4657565 | CCSP Upper Hopper Arm | 1 |
| 19 | GA5050330 | SHCS M12 x 20 ZP GR12.9 | 1 |
| 20 | GA5052905 | Insert, suit 12mm Hole, Black, plastic | 1 |
| 21 | GA5000141 | Nut M10 Nyloc ZP | 1 |
| 22 | GA5000117 | Washer 10mm Flat SS HD | 2 |
| 23 | GA5048380 | Pin, 11mm OD shaft, Spring Steel wire loop lock, Yellow zinc | 1 |
| 24 | GA4699435 | Handle, Induction Hopper Latch arm | 1 |
| 25 | GA5002077 | Key ring, 25mm, SS | 2 |
| 26 | GA5001491 | Chain 2mm x 20 SS (Cut to 600 mm) | 1 |

Hopper Bottom - 2" Flanged



| ITEM NO. | PART NUMBER | DESCRIPTION | QTY. |
|----------|-------------|------------------------------------------------------------------|------|
| 1 | GA4552240 | Hopper Bottom Venturi Housing with 2" Flange MY14 | 1 |
| 2 | GA5078137 | Street elbow, 90 degree, 1" male x 1" female, Banjo | 1 |
| 3 | GA5077717 | Hose barb, Elbow, 90 degree, 3/4" male thread x 3/4" hose, Banjo | 1 |
| 4 | GA5077723 | Hose barb, Elbow, 90 degree, 1" male x 1" hose, Banjo | 1 |
| 5 | GA5018315 | Valve, Ball, 20mm male & female thread, Black Butterfly handle | 1 |
| 6 | L057A | Venturi, 9mm outlet, Suit Induction Hopper | 1 |
| 7 | GA5077908 | Ball valve, 2" Full port , 4 Bolt Flanged, short, Banjo | 1 |
| 8 | FC220 | 2" Full Port Worm Screw Clamp | 1 |
| 9 | GA5076615 | Seal, EPDM, Suit 2" flange fitting, Banjo | 1 |