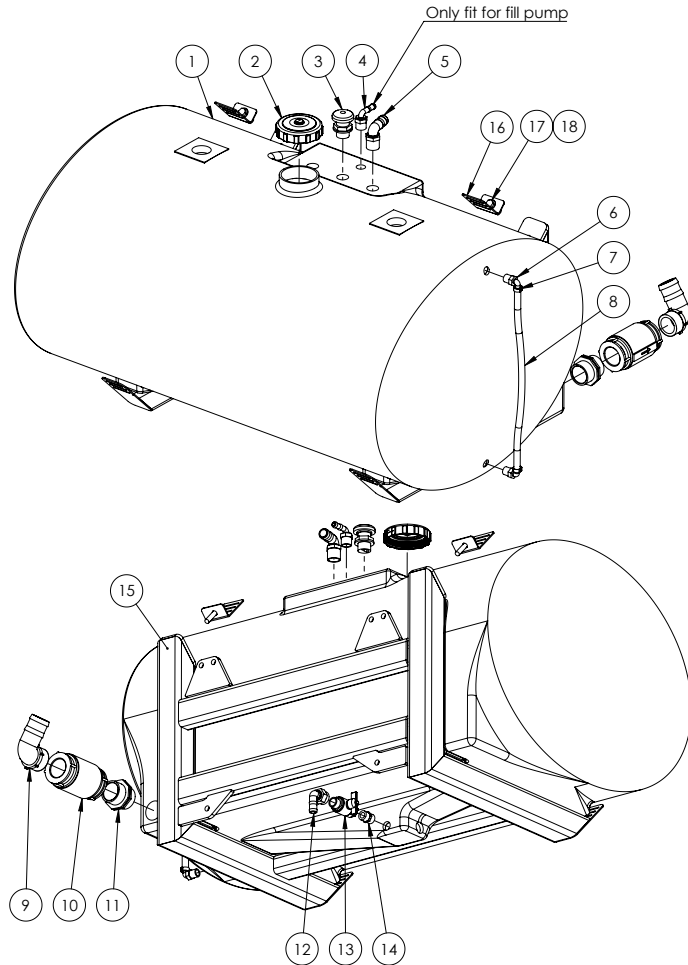


Chapter 3

FLUSH TANK

Rinse Water Tank & Frame



ITEM NO.	PART NUMBER	DESCRIPTION	QTY.
1	GA5078087	Reducing nipple, 3/4" male thread x 1/2" male thread, Banjo	1
2	GA2000210	Hose, 12mm, Clear; Wire reinforced	1
3	GA5077723	Hose barb, Elbow, 90 degree, 1" male x 1" hose, Banjo	1
4	GA5077710	Hose barb, Elbow, 90 degree, 3/4" male thread x 1/2" hose, Banjo	1
5	GA5077740	Hose barb, Elbow, 90 degree, 2" male thread x 2" hose, Banjo	1
6	GA5007231	Hose clamp, Cobra type, 1/2"	2
7	GA5076885	Lid, Diameter 113mm, With breather	1
8	GA5078410	Plumbing fitting, Nipple, 2"	1
9	GA5077913	Nipple, 3/4" male x 3/4" male, Short, Banjo	1

Continued over page

Rinse Water Tank & Frame

ITEM NO.	PART NUMBER	DESCRIPTION	QTY.
10	GA5069961	Tank, 520L, Fresh Water SP Black, Bare	1
11	GA5018315	Valve, Ball, 20mm, 3/4" male, female, Black Butterfly handle, Brass	1
12	GA2000111	Valve, Check, 2" Female Thread Inlet and Outlet	1
13	GA5077045	Breather valve, Labyrinth type, 1" male thread	1
14	GA4658936	Fresh Water Tank Frame 520L	1
15	F70127A	Bracket, Tank strap, 50mm	2
16	GA5011239	Bolt M12 x 50 GR 8.8 ZP	2
17	GA5000577	Washer 12mm Flat SS HD	2