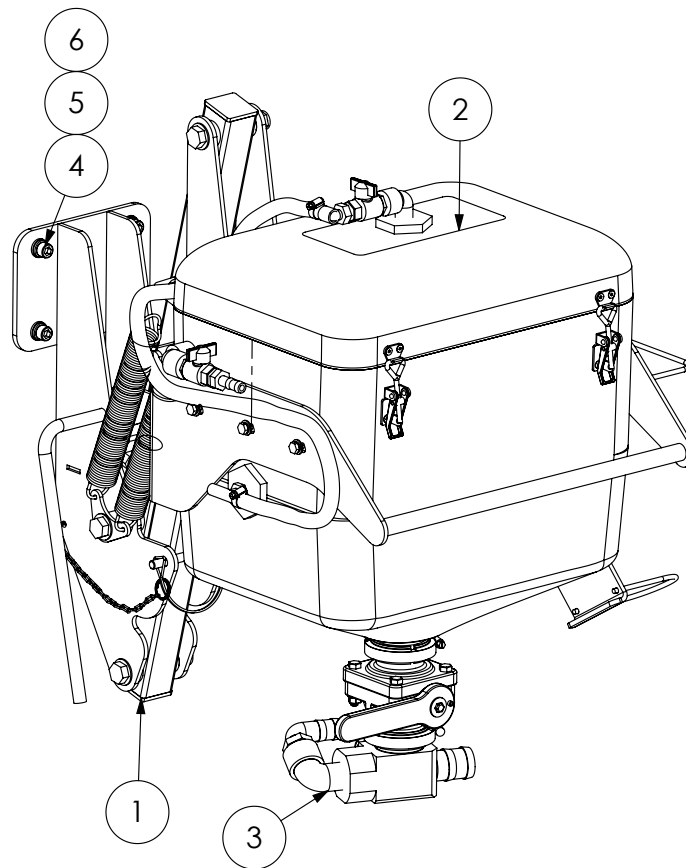


Chapter 8

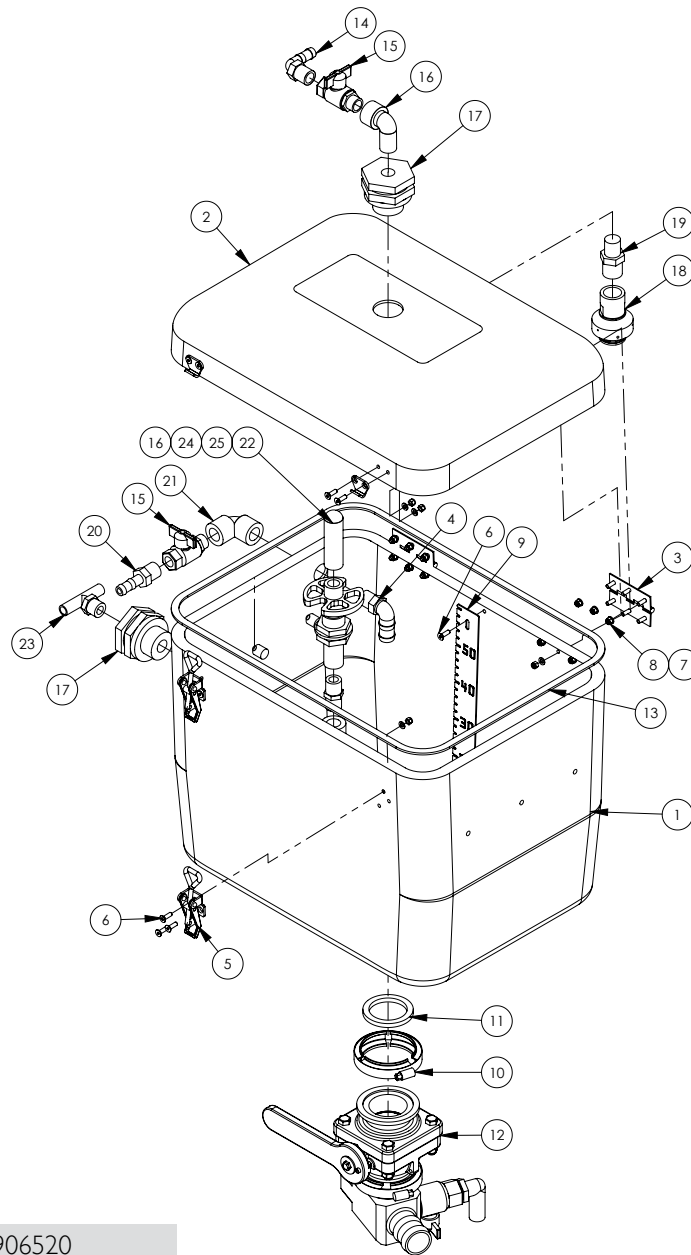
INDUCTION HOPPER



Fully Assembled 60L Hopper - GA4906530

ITEM NO.	PART NUMBER	DESCRIPTION	QTY.
1	GA4903049-60C	Hopper Frame - Suit SP	1
2	GA4906520	Induction Hopper Tank 60L - Suit SP	1
3	GA4906645	Induction Hopper Bottom 2" Flanged	1
4	GA5000577	Washer 12mm Flat ZP Heavy Duty	4
5	GA5000575	Washer 12mm Spring SS	4
6	GA5000297	SHCS M12 x 25 ZP GR12.9	4

Hopper Tank

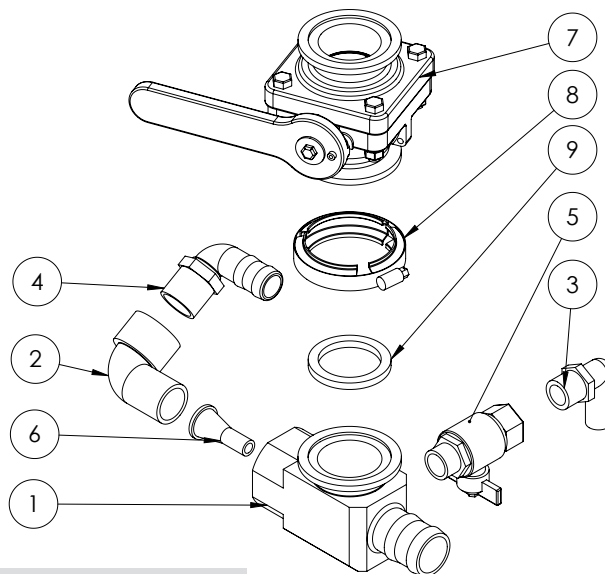


Hopper Tank - GA4906520

ITEM NO.	PART NUMBER	DESCRIPTION	QTY.
1	GA5071208	Hopper Tank 65L with Flange to suit Banjo 220 Valve	1
2	GA5070045	Hopper lid - 07 Advance 65L	1
3	GA5006661	Hinge 76mm, Butt Hinge SS	2
4	HB050-075-90	Hose Barb Elbow 1/2" to 3/4" barb	1
5	GA5007071	Latch Chemical Induction Hopper Lid	2
6	GA5051230	FHCS M5 x 16mm SS	23
7	GA5003983	Washer 5mm SS	23
8	GA5003975	Nut M5 Nyloc SS	23
9	GA4522296	Hopper level indicator 60L	1
10	FC220	2" Full Port Worm Screw Clamp	1

ITEM NO.	PART NUMBER	DESCRIPTION	QTY.
11	200G	Seal, EPDM, Suit 2" flange fitting	1
12	GA4906645	Pre-assembled 60L Hopper Bottom 2" Flanged	1
13	GA5016473	Tape PM Foam 6.4 x 18 L/Density	1
14	HB050-90	Hose Barb Elbow 1/2"	1
15	GA5020615	1/2" Ball valve	2
16	SL050-90	1/2" Street Elbow	2
17	TF050	1/2" Poly Bulkhead	2
18	B55270-34-18	Tank rinse nozzle 3/4" BSP	1
19	RN075050	Reducing Nipple 3/4" x 1/2"	1
20	HB050	1/2" Hose Barb	1
21	EL050-90	1/2" Female to Female Elbow	1
22	510110	Rinsing nozzle 1/2" F thread	1
23	T12T	Barb male tee (1 x 1/2" thread, 2 x 1/2" barbs)	1
24	NIP-050-SH	1/2" Short Poly Nipple	1
25	510100	Push down valve	1

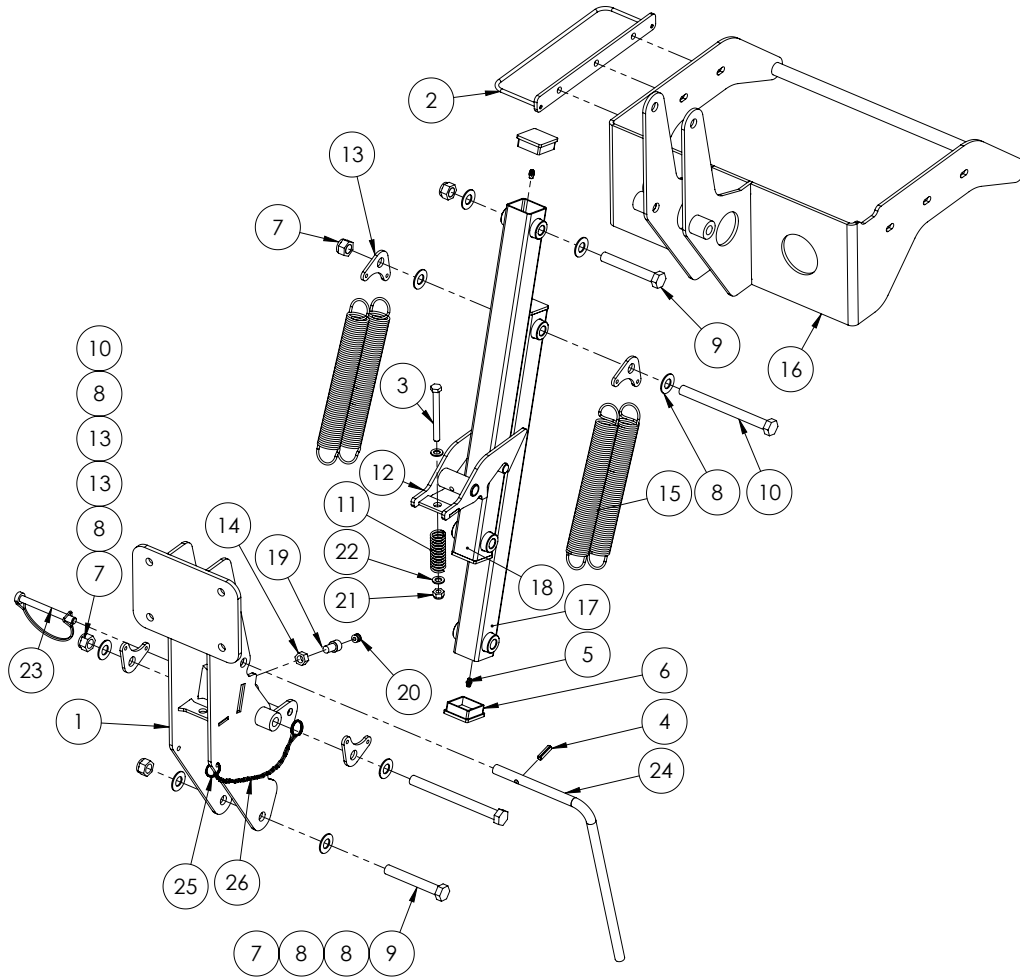
Hopper Tank - Bottom



Hopper Bottom 2" Flanged - GA4906645

ITEM NO.	PART NUMBER	DESCRIPTION	QTY.
1	GA4552240	Hopper Bottom 2"	1
2	SL100-90	Street Elbow 1" Poly	1
3	HB075-90	Elbow male 3/4"	1
4	HB100-90	Hose barb 90 degree 1"	1
5	GA5018315	Ball Valve Male / Female TEE 3/4"	1
6	L057A	Hopper jet tapered 7mm	1
7	MVS220CF	Valve, 2" Full Port Flange	1
	FC220	2" Full Port Worm Screw Clamp	1
	200G	Seal, EPDM, Suit 2" flange fitting	1

Hopper Frame



Induction Hopper Frame - GA4903049-60CC

ITEM NO.	PART NUMBER	DESCRIPTION	QTY.
1	GA4657560	CCSP Hopper Mounting Assembly	1
2	GA4659155	Hose guide bracket, SP Hopper 201 I	1
3	GA5011139	Bolt M10 x 100	1
4	GA5075130	Roll pin 8mm x 30mm coated	1
5	GA5012203	Grease Nipple 1/4" UNF Short	4
6	GA5003783	50 x 50mm 0.8-2.5 Insert Cap	4
7	GA5001029	Nut M16 Nyloc	4
8	GA5001009	Washer 16mm zinc coated	8
9	GA5000855	Bolt M16 x 110 ZP GR8.8	2
10	GA5000879	Bolt M16 x 180 ZP GR8.8	2
11	GA5007329	Compression spring gold	1
12	GA4653490	Induction hopper latch Adv	1
13	GA4522294	Prairie EF induction hopper x 2 Spring mount	4
14	GA5000559	Nut M12 Plain	1
15	GA5007073	Spring, Tension, 38.2 OD x 284.3 long x 3.55mm, Induction hopper	4
16	GA4656855	Induction hopper tank support 08 Adv	1

Hopper Frame

ITEM NO.	PART NUMBER	DESCRIPTION	QTY.
17	GA4657570	CCSP Lower Hopper Arm	1
18	GA4657565	CCSP Upper Hopper Arm	1
19	GA5050330	SHCS M12 x 20	1
20	GA5052905	Insert to suit 12mm Hole	1
21	GA5000141	Nut M10 Nyloc	1
22	GA5000117	Washer 10mm SS Heavy duty	2
23	GA5048380	Pin shaft locking 11mm	1
24	GA4699435	Latch handle SP hopper 2011	1
25	GA5002077	25mm Key Ring SS	2
26	GA5001491	Chain 2mm x 20mm SS 316	0.6

