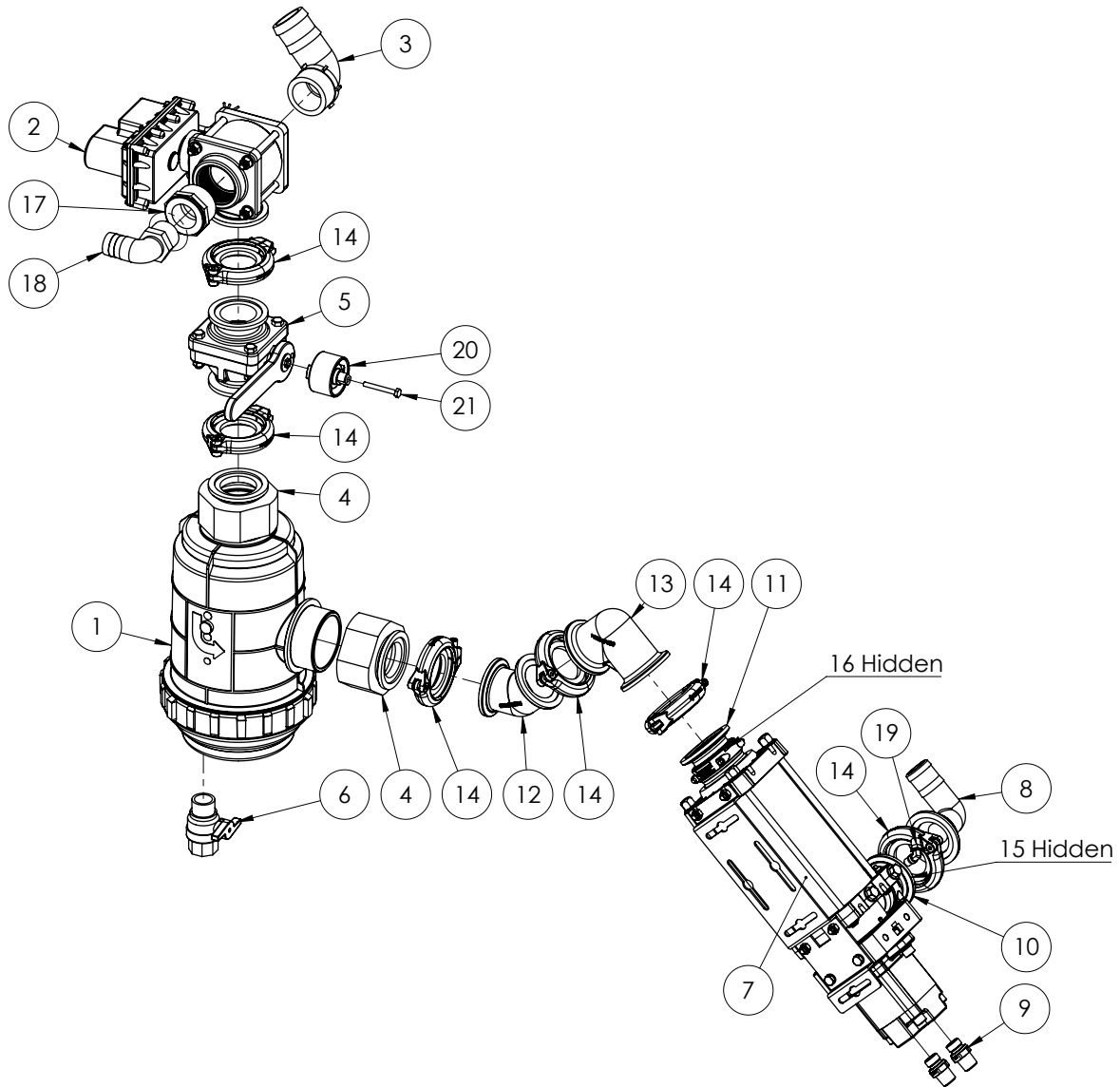


Chapter 2

PUMPS

Spray Pump & Suction Filter Assembly



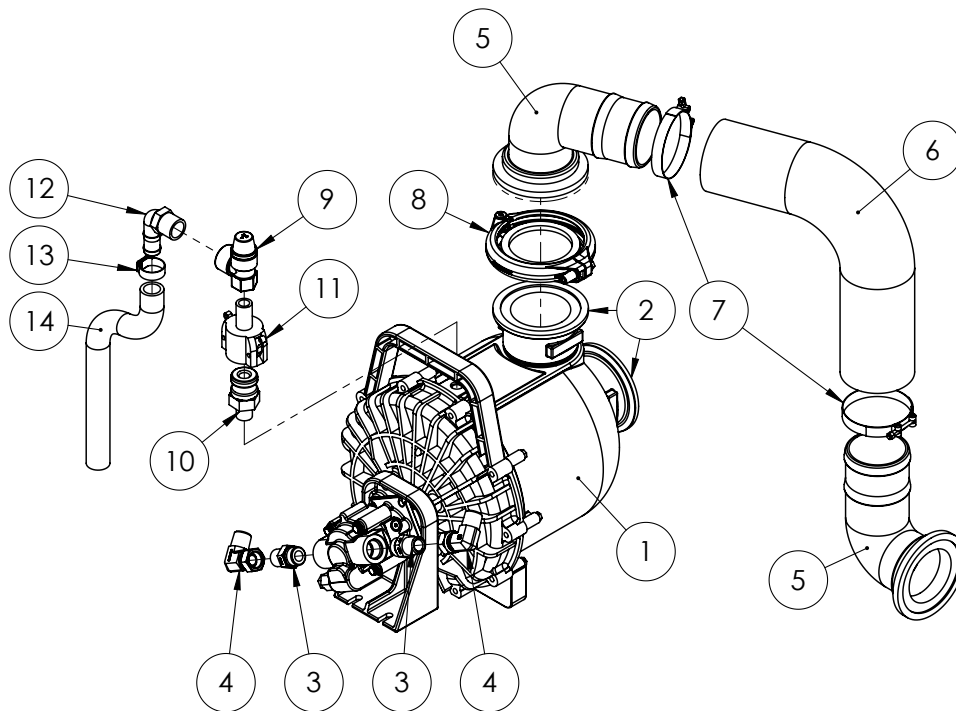
ITEM NO.	PART NUMBER	DESCRIPTION	QTY.
1	GA2000101	Suction Filter, 3" 32 Mesh, 3" BSP Male Threads	1
2	GA2000018	Valve, Ball, Electric 3 way, 2" Full Port	1
3	GA5077740	Hose barb, Elbow, 90 degree, 2" male thread x 2" hose	1
4	GA4550450	Flange, M220 x 3" BSP Female, Plastic	2
5	GA5077908	Valve, Ball, 2" Full port , 4 Bolt Flanged, short	1
6	GA5067620	Ball Valve, 1" Male / Female, Tee Handle, Brass	1

Continued over page

Spray Pump

ITEM NO.	PART NUMBER	DESCRIPTION	QTY.
7	GA2000103	Pump, Multistage Centrifugal, Hydraulic Drive, T7 Inlet T6 Outlet	1
8	GA5077856	Hose barb, 2" FP Flange, 1-1/2" HB, 90 Degree	1
9	GA3500310	Hydraulic adaptor, Nipple, 1/2" BSPT male x 1/2" BSPP male	2
10	GA2000102	Flanged Adaptor, M220 Banjo Flange to T6 Male Fork	1
11	GA2000100	Flanged Adaptor, M220 Banjo Flange to T7 Male Fork	1
12	GA5077862	2" FP X 2" FP Manifold coupling, 45 Degree	1
13	GA5077863	2" FP X 2" FP Manifold coupling, 90 Degree	1
14	GA2000115	Flange Clamp, and Gasket, 2"	6
15	GA5024410	O-ring, 3.53 x 41.28 EPDM, T6 Arag	1
16	GA5024415	O-ring, 3.53 x 53.57 EPDM, T7 Arag	2
17	GA5078022	Bush, Reducing, Poly, 2" Male Thread x 1 1/4" Female Thread	1
18	GA5077730	Hose barb, Elbow, 90 degree, 1 1/4" male thread x 1 1/4" hose	1
19	GA5016233	Pneumatic fitting, Elbow, 90 degree, 1/4" BSP male x 6mm push type, Metal	1
20	GA5078192	Handle Extension, 2" x 1-3/8" Handle Offset	1
21	GA5006047	Bolt 1/4" UNC x 2" GR5 ZP	1

Fill Pump

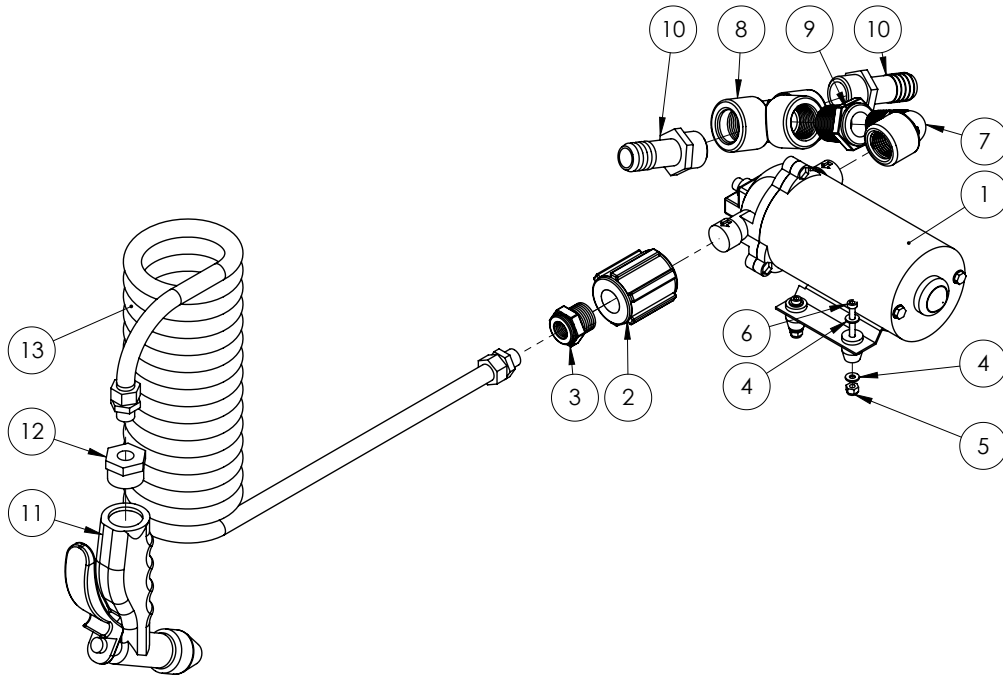


SPARE PARTS

PART NUMBER	DESCRIPTION
GA5072631	Pump casing, Rear, Poly 3" BSP,Transfer,Viton, Hydraulic drive, GA5072085
GA5072605	Shaft seals, Carbon ceramic, Pump, Poly 3" BSP,Transfer,Viton, Hydraulic drive
GA5072610	Impeller, High volume, Pump, Poly 3" BSP,Transfer,Viton, Hydraulic drive
GA5072620	Drain plug, Pump, Poly 3" BSP,Transfer,Viton, Hydraulic drive
GA5072625	Filler plug, Pump, Poly 3" BSP,Transfer,Viton, Hydraulic drive
GA5072630	Pump casing, Front, Poly 3" BSP,Transfer,Viton, Hydraulic drive
GA5072600	Seal conversion kit, Pump, Poly 3" BSP,Transfer,Viton, Hydraulic drive
GA5072075	Seal kit, Pump, Poly 3" BSP, Service Kit, No Mech Seal

ITEM NO.	PART NUMBER	DESCRIPTION	QTY.
1	GA5072085	Pump, Poly 3" BSP,transfer,Viton, Hydraulic drive	1
2	GA5077876	Plumbing Fitting, 3" Flange to 3" BSP Thread, Banjo	2
3	GA3500364	Hydraulic adaptor; Nipple, 1/2" BSPT male x 7/8" UN male O-ring	2
4	GA3500333	Hydraulic adapter, Elbow, 90 degree, 1/2" male x 1/2" female swivel	2
5	GA5077875	Hose barb, Elbow, 90 degree, 3" flange x 3" hose	2
6	GA2000117	Hose Elbow 90°, 3", Silicon, Fill Pump to Valve	1
7	GA5010195	Hose Clamp, 3", T Bolt	2
8	GA2000116	Flange Clamp, and Gasket, 3", series 300	1
9	GA2000131	Pressure relief valve, Spike, 4 Bar, 1/2" in, 3/4" out, Brass, Caleffi	1
10	GA5075782	Cam lever, 3/4" male coupling x 1/2" male thread	1
11	GA5077128	Cam lever, 3/4" female coupling x 1/2" male thread	1
12	GA5077717	Hose barb, Elbow, 90 degree, 3/4" male thread x 3/4" hose	1
13	GA5000999	Hose Clamp, 3/4", SS (16-27/12W)	1
14	GA2000216	Hose, Pressure, 20 mm, Black 250 psi - Cut 350 mm	1

Wash Down Gun Pump



ITEM NO.	PART NUMBER	DESCRIPTION	QTY.
1	GA5023400	Pump, 12 Volt , 6.8lt/min Max 100 psi, Male ports	1
2	GA5077636	Coupling, socket, 1/2" female thread	1
3	GA5078005	Bush, Reducing, Poly, 1/2" Male Thread x 1/4" Female Thread	1
4	GA5020510	Washer 4mm Flat SS	8
5	GA5049025	Nut M4 Nyloc SS	4
6	GA5011367	SHCS M4 x 30 ZP GR12.9	4
7	GA5078133	Street elbow, 90 degree, 1/2" female thread x 1/2" male thread	1
8	GA5078150	Tee, Threaded, 3/4 female, Banjo	1
9	GA5078010	Bush, Reducing, Poly, 3/4" Male Thread x 1/2" Female Thread	1
10	GA5077709	Hose barb, Straight, 3/4" male thread x 3/4" hose	2
11	GA5051390	Wash down gun	1
12	GA5049701	Bush, Reducing, 3/4" x 1/4", Brass	1
13	GA5051455	Suzi coil 12 x 8 x 5m (1/4" male swivel ends with springs)	1