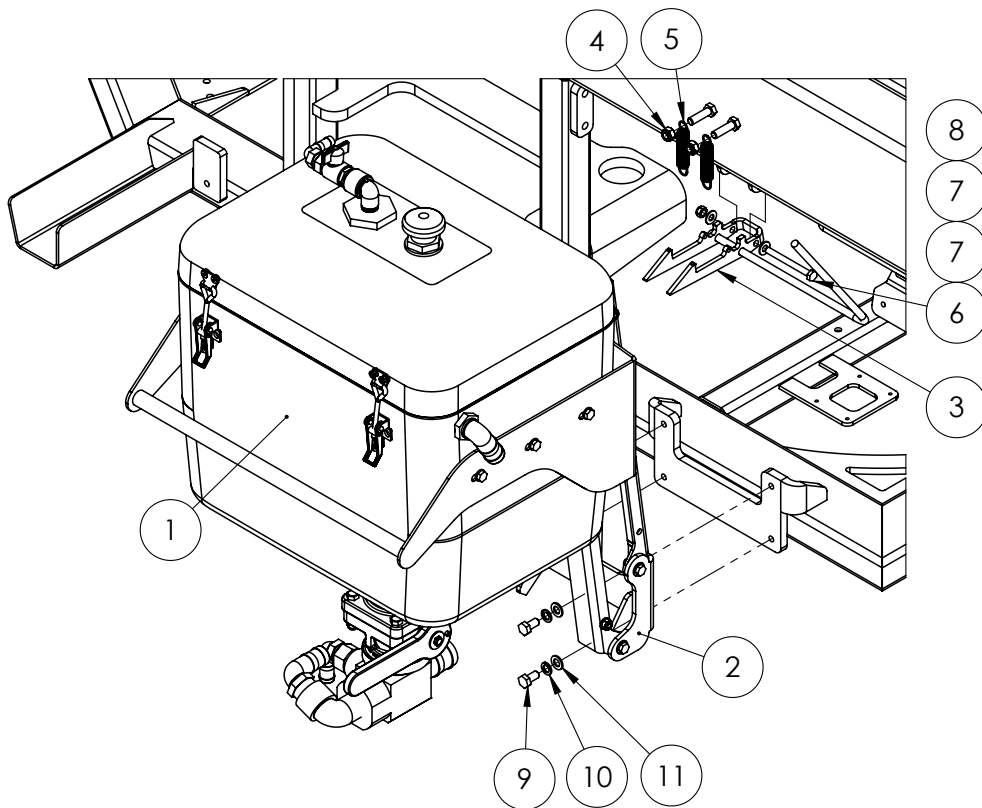


# Chapter 8

## INDUCTION HOPPER

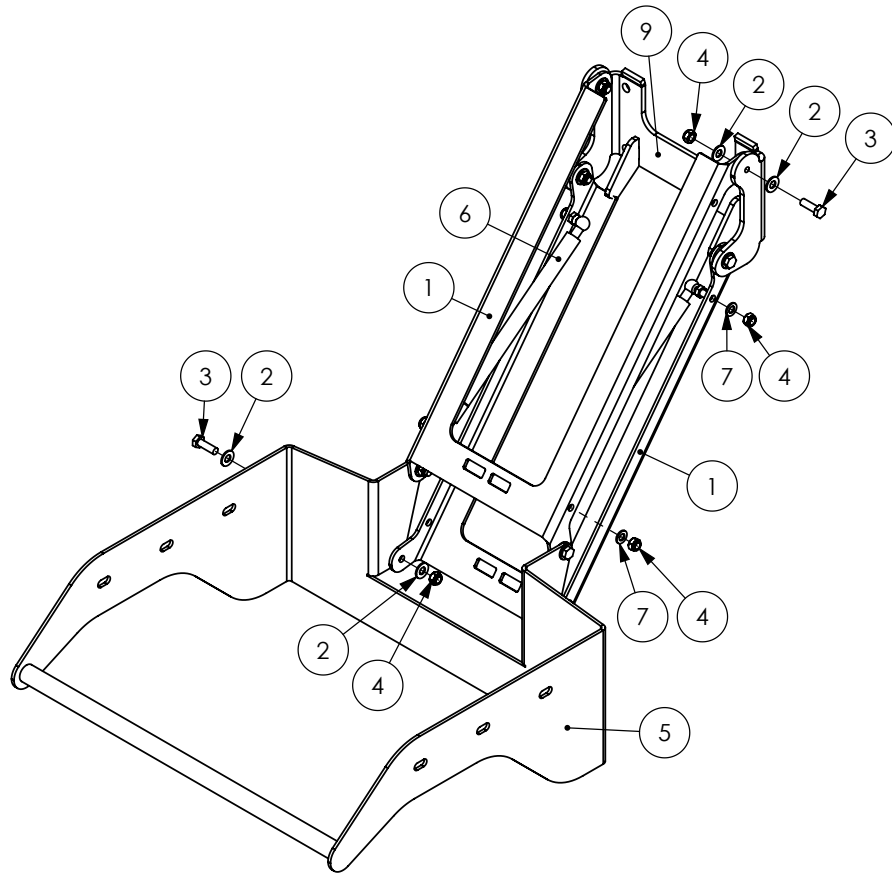
### Hopper Tank & Frame



ITEM NO.	PART NUMBER	DESCRIPTION	QTY.
1	*	Hopper, Pre-assembled 60L with Flange (rectangle)	1
2	*	Frame, Induction hopper, Pre-assembled	1
3	GA4500475	Plate, Hopper Latch, G3V G4V	1
4	GA5000141	Nut M10 Nyloc ZP	2
5	GA5070325	Spring- Park brake suits SP with Allison trans	2
6	GA5052605	Bolt M8 x 80 SS A2-70	1
7	GA5003643	Washer 8mm Flat ZP HD	2
8	GA5004917	Nut M8 Nyloc ZP	2
9	GA5006113	Bolt M10 x 20 GR8.8 ZP	4
10	GA5000137	Washer 10mm Spring SS	4
11	GA5000117	Washer 10mm Flat SS HD	4

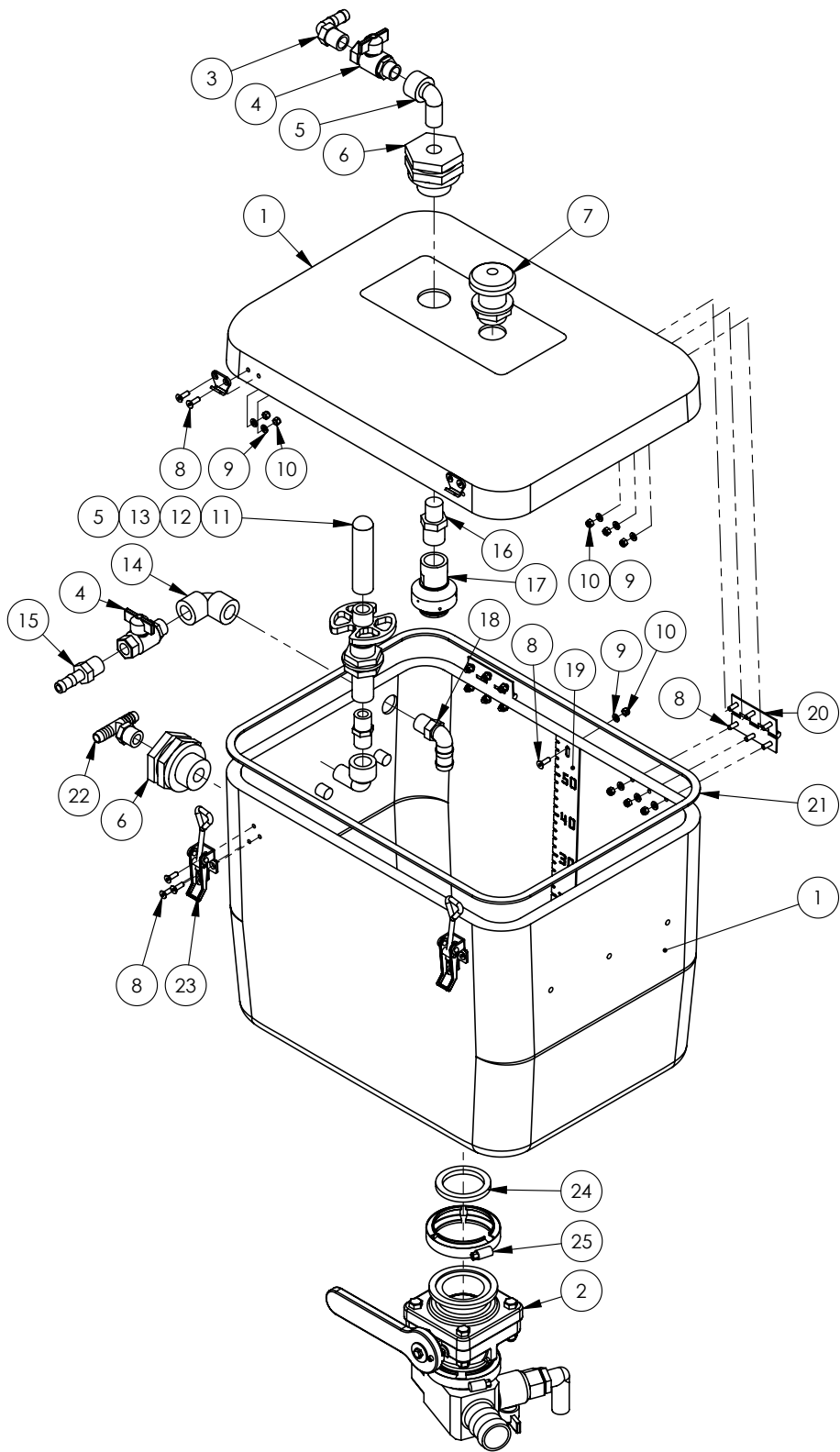
\* Sub-assembly on following pages

# Hopper Frame



ITEM NO.	PART NUMBER	DESCRIPTION	QTY.
1	GA4500680	Plate, Hopper Arm	2
2	GA5003643	Washer 8mm Flat ZP HD	24
3	GA5004085	Bolt M8 x 20 GR8.8 ZP	8
4	GA5004917	Nut M8 Nyloc ZP	12
5	GA4661635	Tank Support, 60L	1
6	GA5015149	Gas strut, 210mm stroke 200N, Inc M8 Threaded ball End Mount	2
7	GA5003643	Washer 8mm Flat SS HD	4
8	GA4661245	Hopper Chassis Mount Assembly	1

# Hopper Tank



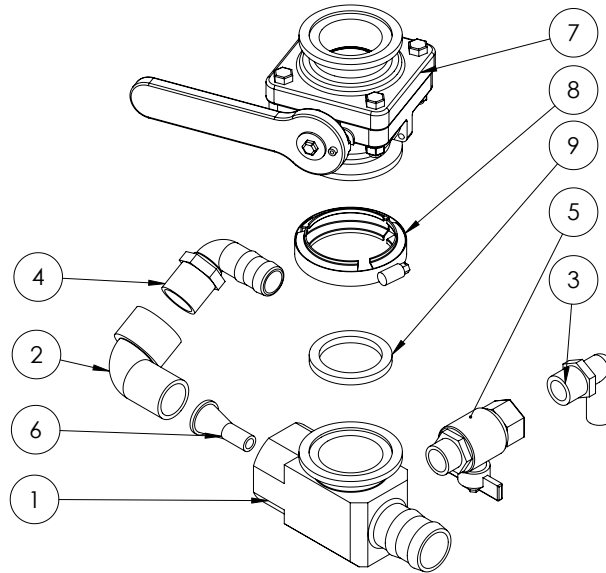
Continued over page

## Hopper Tank

ITEM NO.	PART NUMBER	DESCRIPTION	QTY.
1	GA5071208	Tank, Induction Hopper, 60L with Flange, includes lid	1
2	*	Pre-assembled 60L Hopper Bottom 2" Flanged	1
3	GA5077708	Hose barb, Elbow, 90 degree, 1/2" male thread x 1/2" hose	1
4	GA5020615	Valve, Ball, 12mm, 1/2" Male, Female Butterfly, Brass	2
5	GA5078133	Street elbow, 90 degree, 1/2" female thread x 1/2" male thread	2
6	GA5078156	Tank flange, 1/2" female threads	2
7	GA5077045	Breather valve, Labyrinth type, 1" male thread	1
8	GA5051230	CSCS M5 x 16 SS A2-70	23
9	GA5003983	Washer 5mm Flat SS	23
10	GA5003974	Nut M5 Nyloc ZP	23
11	GA5077063	Nozzle, Drum & container rinsing	1
12	GA5077062	Valve, Drum & container rinsing nozzle	1
13	GA5077911	Nipple, Short, 1/2" male thread x 1/2" male thread	1
14	GA5077652	Street elbow, 90 degree, 1/2" female thread	1
15	GA5077702	Hose barb, Straight, 1/2" male thread x 1/2" hose	1
16	RN075050	Reducing nipple, 3/4" male thread x 1/2" male thread	1
17	GA5077336	Nozzle, Tank rinsing, 3/4" BSPT female inlet	1
18	GA5077704	Hose barb, Elbow, 90 degree, 1/2" male thread x 3/4" hose	1
19	GA4522296	Level indicator, 60L induction hopper	1
20	GA5006661	Hinge, Butt, 70 long x 50 wide x 1.5, SS	2
21	GA5016473	Tape PM foam 6.4 x 18 L/Density	1
22	GA3500391	Tee, Threaded, 1/2" male x 1/2" hose, T12T	1
23	GA5007071	Latch, Adjustable, Induction Hopper Lid	2
24	GA5076615	Seal, EPDM, Suit 2" flange fitting	1
25	FC220	2" Full Port Worm Screw Clamp	1

\* Sub-assembly on following pages

# Hopper Bottom - 2" Flanged



ITEM NO.	PART NUMBER	DESCRIPTION	QTY.
1	GA4552240	Hopper Bottom Venturi Housing with 2" Flange MY14	1
2	GA5078137	Street elbow, 90 degree, 1" male x 1" female, Banjo	1
3	GA5077717	Hose barb, Elbow, 90 degree, 3/4" male thread x 3/4" hose, Banjo	1
4	GA5077723	Hose barb, Elbow, 90 degree, 1" male x 1" hose, Banjo	1
5	GA5018315	Valve, Ball, 20mm male & female thread, Black Butterfly handle	1
6	L057A	Venturi, 9mm outlet, Suit Induction Hopper	1
7	GA5077908	Ball valve, 2" Full port , 4 Bolt Flanged, short, Banjo	1
8	FC220	2" Full Port Worm Screw Clamp	1
9	GA5076615	Seal, EPDM, Suit 2" flange fitting, Banjo	1

