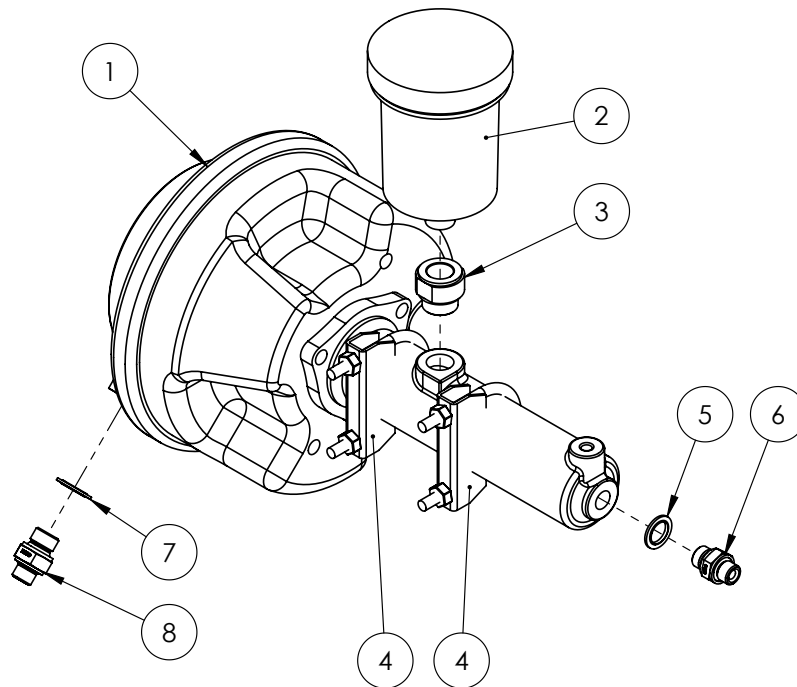


Chapter 23

BRAKES

Brake Booster

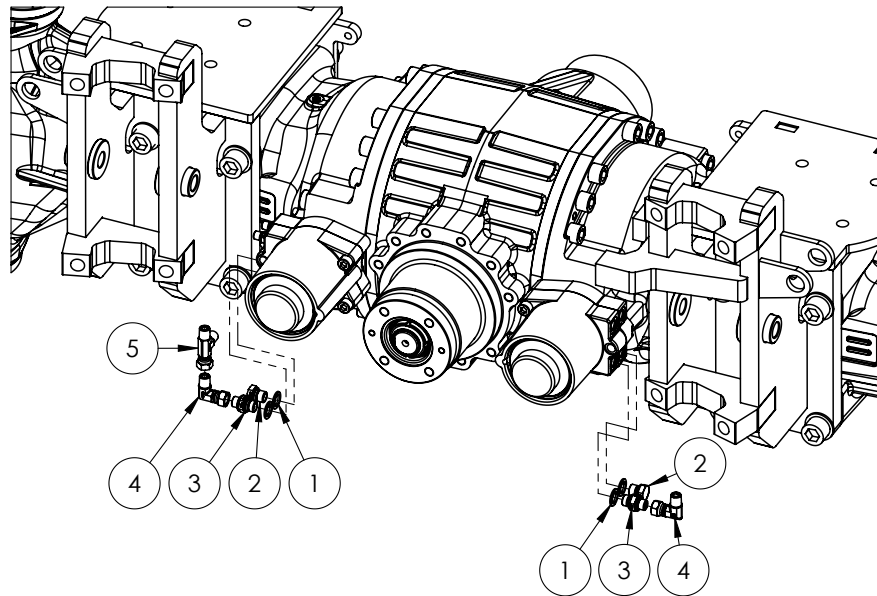


NOTE: Use ONLY hydraulic oil grade 46 in brake system. Do NOT use DOT rated brake fluid.

ITEM NO.	PART NUMBER	DESCRIPTION	QTY.
1	GA7000006	Brake Booster and Master Cylinder, 101594, Knott	1
2	GA5071745	Reservoir Assembly, Brake Booster, Catai	1
3	GA4550885	Reducing Bush, M22 x 1.5 Male x M18 x 1.5 Female, ZP	1
4	GA5006705	Exhaust clamp C8 2"	2
5	GA3500130	Hydraulic adaptor; Seal, Metal Bonded, M14	1
6	GA3500127	Hydraulic adaptor; Nipple, M14 x 1.5 DKL male x 1/4" BSPP male O-ring	1
7	GA3500129	Hydraulic adaptor; Seal, Metal Bonded, M16	1
8	GA3500128	Hydraulic adaptor; Nipple, M16 x 1.5 DKS male x 1/4" BSPP male O-ring	1

Brake Fittings - Front & Rear Axle

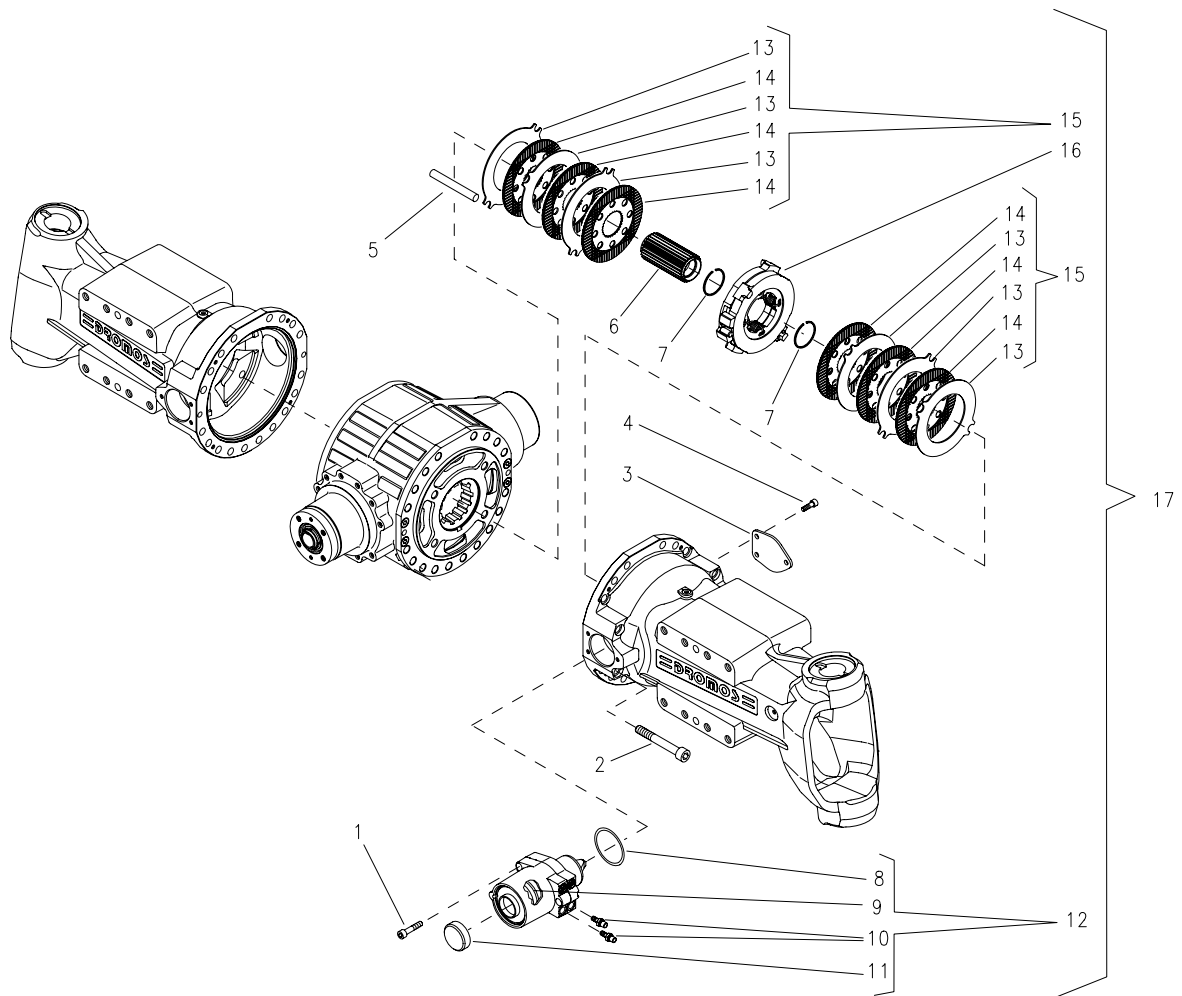
REAR AXLE SHOWN



Quantities shown are per side.

ITEM NO.	PART NUMBER	DESCRIPTION	QTY.
1	GA3500130	Hydraulic Adaptor, Seal, Metal Bonded, suit M14 Male Thread	4
2	GA3500510	Hydraulic Plug, M14 x 1.5 mm	2
3	GA3500127	Hydraulic Adaptor, M14 x 1.5 Metric Male Thread to 1/4" BSPP Mate Thread	2
4	GA3500332	Hydraulic adaptor; Elbow, 90 degree, 1/4" BSPT male x 1/4" BSPP female swivel	2
5	GA3500199	Hydraulic adaptor; Tee, 1/4" BSPT male x 1/4" BSPT male x 1/4" BSPP female	1

Brake Packs - Front & Rear Axle



ITEM NO.	PART NUMBER	DESCRIPTION	QTY.
1	001.091.0210.0	SCREW	6
2	001.091.1100.0	SCREW	8
3	012.020.1750.1	COVER	2
4	001.091.0260.0	SCREW	6
5	001.132.0060.0	PARALLEL PIN	8
6	012.231.1850.1	SLEEVE FOR DISC BRAKE	2
7	001.080.0070.0	SHOULDER RING	4
8	001.061.0940.0	O-RING	2
9	707.980.0160.0	GASKETS KIT	2
10	003.010.0220.1	BLEED SCREW	4
11	003.010.0210.1	PLUG	2
12	001.430.0240.0	BRAKE ACTUATOR CYLINDER WITH SPRING	2
13	012.081.0040.1	INTERMEDIATE DISC	12
14	012.082.0040.1	CLUTCH DISK	12
15	707.970.0030.0	BRAKE DISCS KIT	2
16	707.960.0040.0	BRAKE CASING	2
17	707.950.0110.0	DISC BRAKE	2