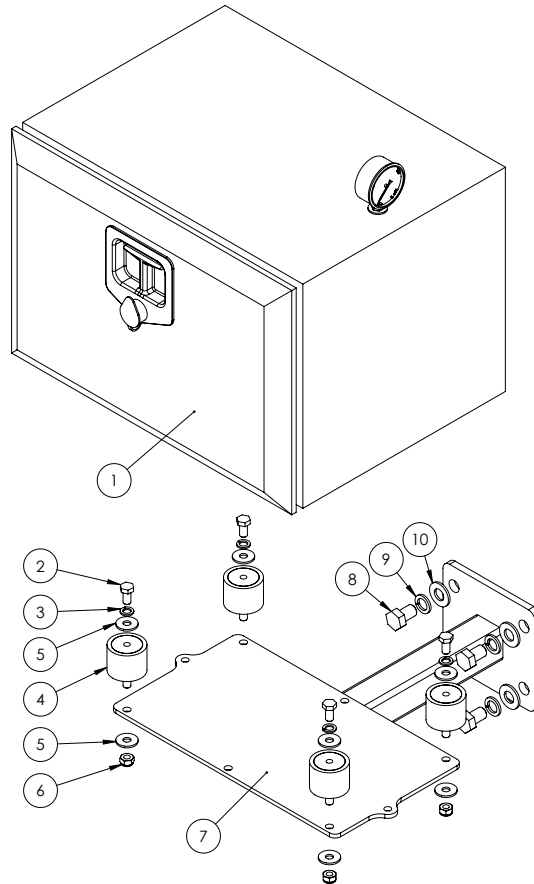


Chapter 4

RIGHT HAND POD

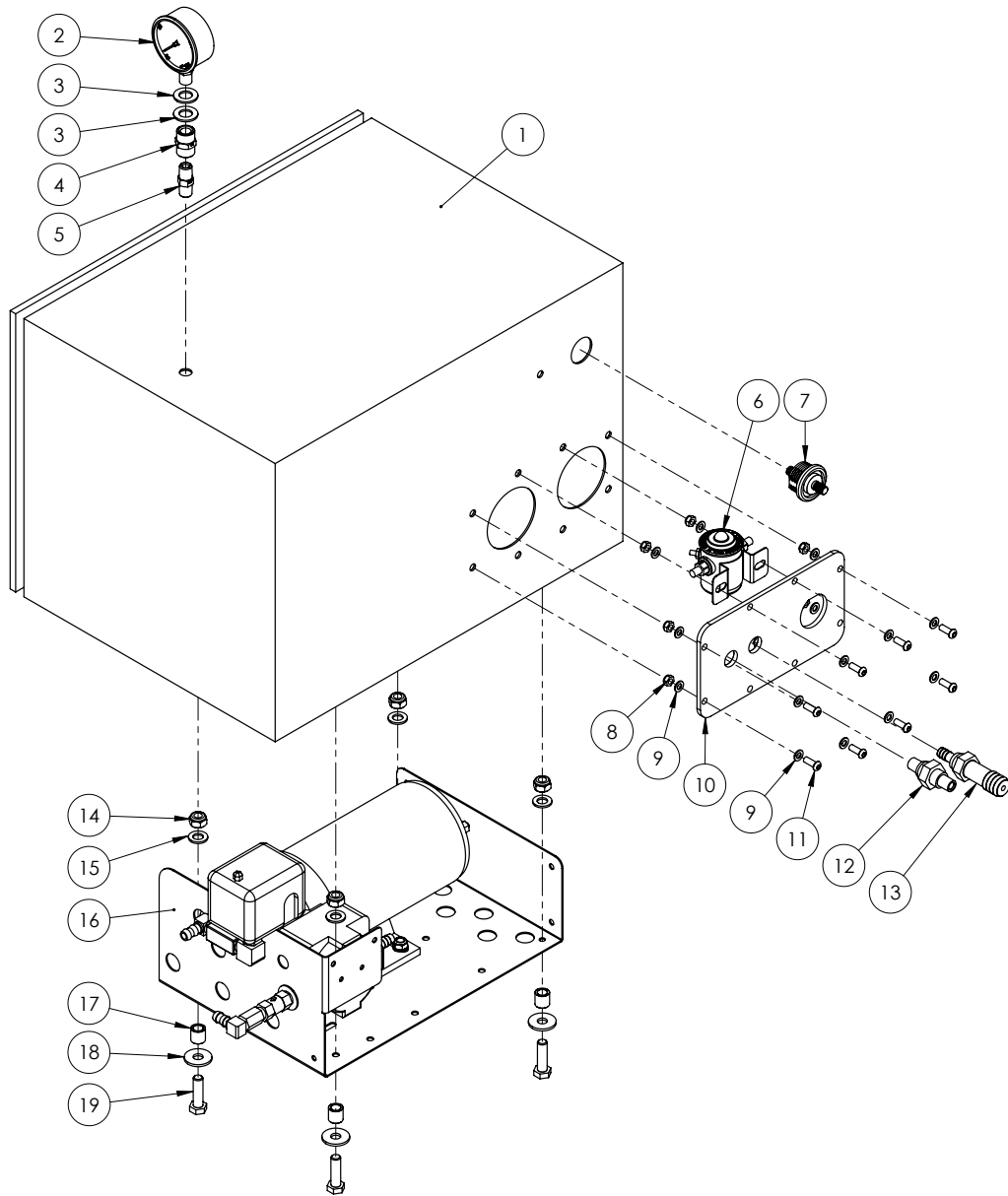
RapidFire Box Mounting



ITEM NO.	PART NUMBER	DESCRIPTION	QTY.
1	*	RapidFire Box Assembly	1
2	GA5006113	Bolt M10 x 20 GR8.8 ZP	4
3	GA5000137	Washer 10mm Spring SS	4
4	GA5014609	Rubber Buffer, 50mm Dia x 40mm Long, M10 x 25 male x M10 Female	4
5	GA5002627	Washer 3/8" ID x 1 1/8" OD High Tensile	12
6	GA5000141	Nut M10 Nyloc ZP	8
7	GA4657695	Special Airbag Compressor Mount	1
8	GA5000903	Bolt M16 x 25 GR8.8 ZP	4
9	GA5000961	Washer 16mm Spring ZP	4
10	GA5001043	Washer 16mm Flat SS HD	4

* Sub-assembly on following pages

RapidFire Box Assembly



ITEM NO.	PART NUMBER	DESCRIPTION	QTY.
1	GA5068675	Tool box,T handle, Black, w 500 x h 350 x d 400 mm	1
2	GA4948470	Gauge, Pressure, Small face, 160psi	1
3	GA5017655	Washer 1/2 Flat SS	2
4	GA3500211	Hydraulic adaptor,Socket, 1/4" BSPT female x 1/4" BSPT female	1
5	GA3500218	Hydraulic adaptor,Nipple, 1/4" BSPT male x 1/4" BSPT male	1
6	GA5063602	Loom High current solenoid to suit rapid fire compressor	1
7	GA5006379	Stud, insulated, Battery power Feed Stud	1
8	GA5048115	Nut M6 Nyloc ZP	8
9	GA5004437	Washer 6mm Flat SS	16
10	GA4524715	Plumbing Manifold Plate EVO air bag only	1
11	GA5004050	BHCS M6 x 16 SS A2-70	8

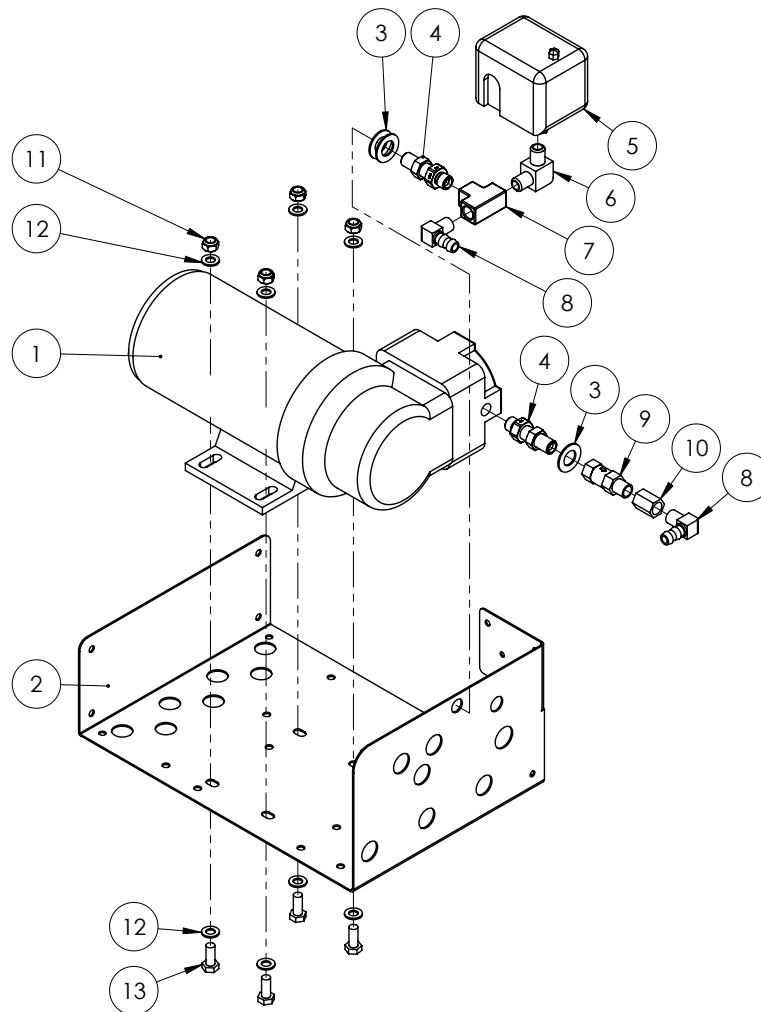
* Sub-assembly on following pages

RapidFire Box Assembly

ITEM NO.	PART NUMBER	DESCRIPTION	QTY.
12	GA4582465	1/4" BSPT Nipple S/S suit RH Pod Manifold	1
13	MACH0129	3/4" barb to 3/8"	1
14	GA5000141	Nut M10 Nyloc ZP	8
15	GA5000117	Washer 10mm Flat SS HD	4
16	*	Rapidfire Pump Assembly	1
17	GA4552075	Crush tube, 10.2 ID x 15 OD x 15 mm long	4
18	GA5002627	Washer 3/8" ID x 1 1/8" OD High Tensile	12
19	GA5006111	Bolt M10 x 35 GR8.8 ZP	4

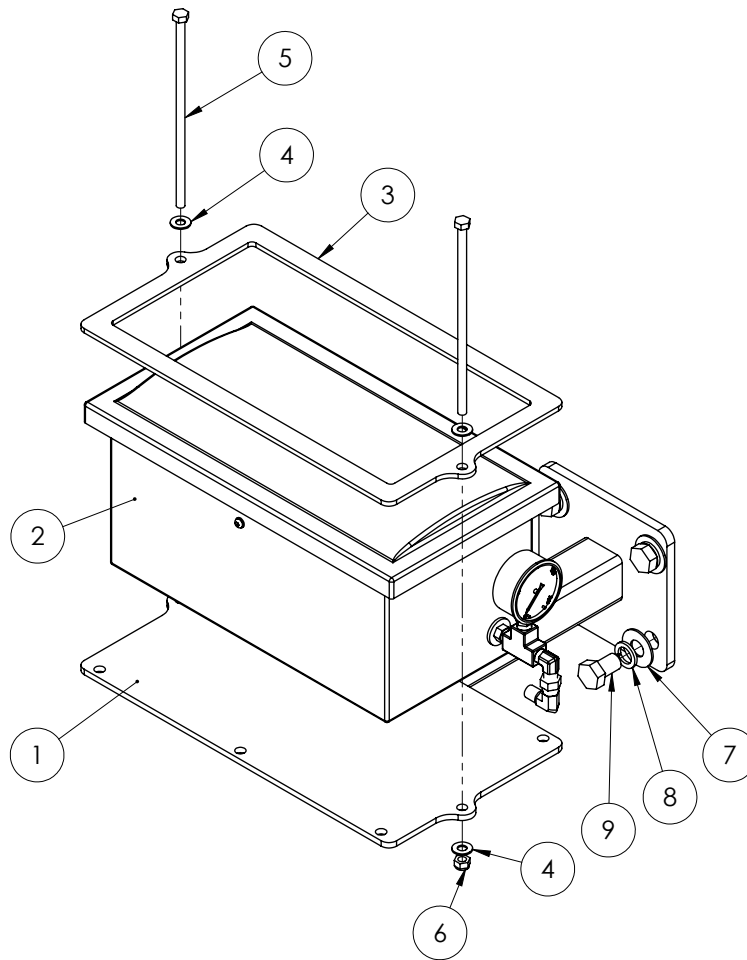
* Sub-assembly on following pages

RapidFire Pump Assembly



ITEM NO.	PART NUMBER	DESCRIPTION	QTY.
1	GA5053340	Air compressor; Suit airbag, rapidfire, 12V, 62.3L/min, 100 psi maximum	1
2	F70785A	Foam marker/airbag comp plate	1
3	GA5050325	Washer 14mm Flat SS	3
4	GA3500249	Hydraulic adaptor; Bulkhead nipple, 1/4" BSPP male x 1/4" BSPP male	2
5	GA5016221	Switch differential Press.T/S Air Bag	1
6	GA5008343	Elbow male thread 1/4" X 1/4"	1
7	GA5048300	Tee, 1/4" female thread x 1/4" female thread x 1/4" female thread, Brass	1
8	GA5049290	Elbow 1/4" male thread x 3/8" barb brass	2
9	GA5014796	Valve, Check, Pneumatic, 1/4" thread female inlet & male outlet	1
10	GA5066940	Socket, 1/4" female thread, Hex, Brass	1
11	GA5004917	Nut M8 Nyloc ZP	4
12	GA5003643	Washer 8mm Flat SS HD	8
13	GA5004085	Bolt M8 x 20 GR8.8 ZP	4
14	GA5050725	Hosetail Brass P3 1/4" thread x 3/8" barb	1

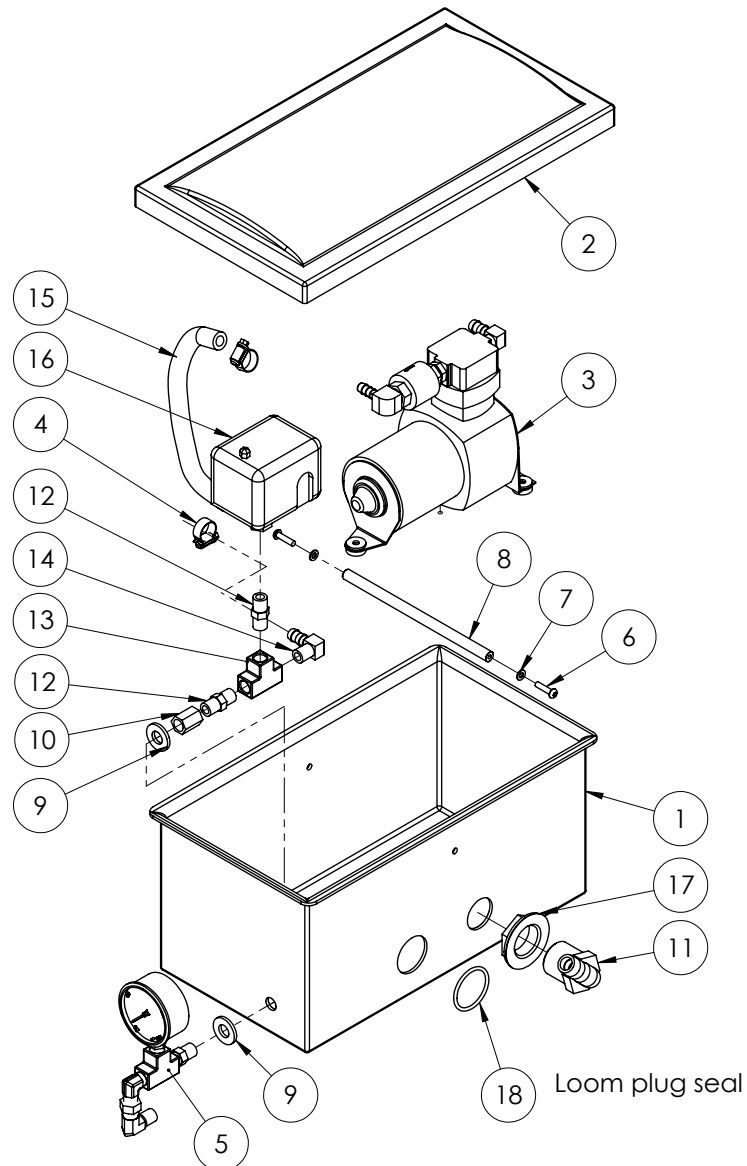
Airbag Compressor Box Mounting



ITEM NO.	PART NUMBER	DESCRIPTION	QTY.
1	GA4657695	Special Airbag Compressor Mount	1
2	*	Airbag Compressor Box Assembly	1
3	F70254A	Top retaining plate for plastic foam/air box GA5066955	1
4	GA5003643	Washer 8mm Flat SS HD	4
5	MACH0041	Bolt hex M8 x 210 ZP	2
6	GA5004917	Nut M8 Nyloc ZP	2
7	GA5001043	Washer 16mm Flat SS HD	4
8	GA5000961	Washer 16mm Spring ZP	4
9	GA5000903	Bolt M16 x 25 ZP GR8.8	4

* Sub-assembly on following pages

Airbag Compressor Box Assembly



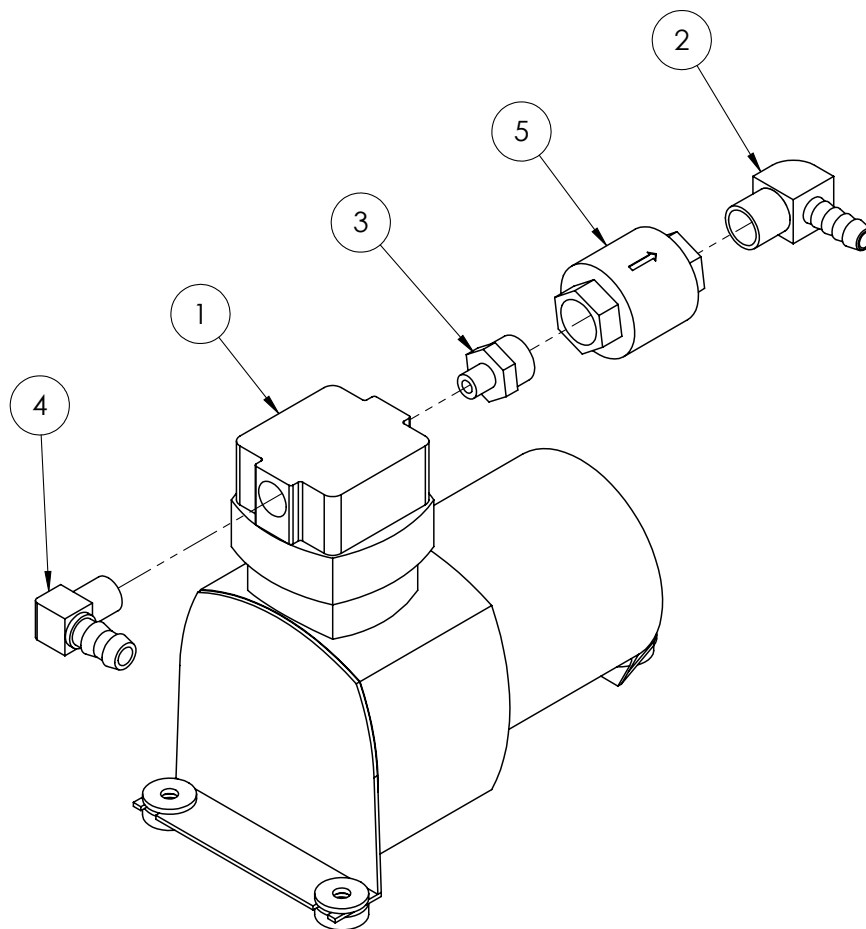
ITEM NO.	PART NUMBER	DESCRIPTION	QTY.
1	GA5066955	Foam Marker Box Bottom	1
2	GA5066955-2	Foam Marker Box Lid	1
3	*	Airbag Compressor Assembly	1
4	GA5000469	Hose clamp, 1/2", SS, 12-20/9W3	2
5	*	Gauge Assembly	1
6	GA5003581	SHCS M5 x 20 SS GR12.9	2
7	GA5003983	Washer 5mm Flat SS	2
8	GA4572130	Compressor Box Spacer Rod	1
9	GA5000577	Washer 12mm Flat SS HD	2
10	GA5066940	Socket, 1/4" female thread, Hex, Brass	1
11	GA5077719	Hose barb, Elbow, 90 degree, 1" male thread x 3/4" hose, Banjo	1
12	GA5050285	Nipple, 1/4" male thread x 1/4" male thread, Brass	2

* Sub-assembly on following pages

Airbag Compressor Box Assembly

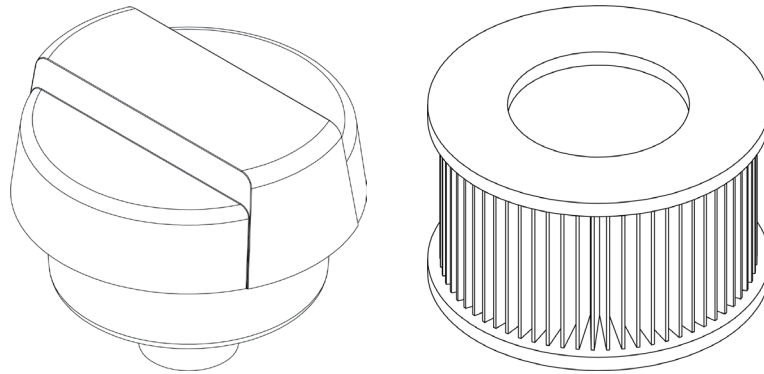
ITEM NO.	PART NUMBER	DESCRIPTION	QTY.
13	GA5048300	Tee, 1/4" female thread x 1/4" female thread x 1/4" female thread, Brass	1
14	GA5049290	Elbow 1/4" male thread x 3/8" barb brass	1
15	GA5051025	Hose, High Temperature Multi purpose, 3/8" ID 200psi RED	1
16	GA5016221	Switch differential Press. suit Air Bag	1
17	GA5076630	Back Nut 1"	1
18	GA5065820	O-ring, 38 x 3mm, Suits AS40 plumbing fittings	1

Airbag Compressor Assembly



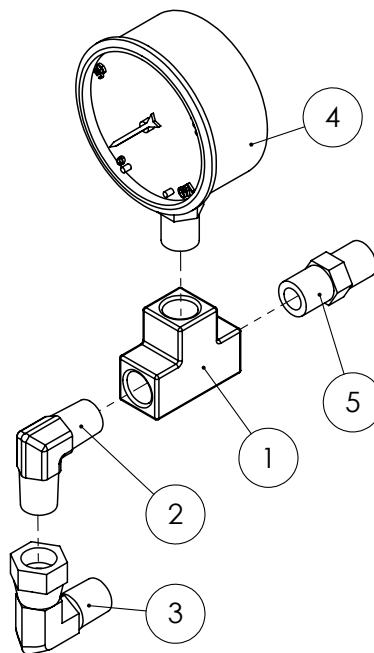
ITEM NO.	PART NUMBER	DESCRIPTION	QTY.
1	GA5018809	Air compressor, Suit airbag, 12V, 30.6L/min, 150psi maximum	1
2	GA5070730	Elbow Brass 3/8" x 3/8"	1
3	GA5020690	Reducing nipple, 1/8" male thread x 3/8" male thread, Brass	1
4	GA5049290	Elbow 1/4" male thread x 3/8" barb brass	1
5	GA5020010	Valve, Check, 3/8" female thread inlet & outlet, Brass	1

Airbag Compressor Filters



PART NUMBER	DESCRIPTION
GA5005259	Air filter, 1" BSP male thread
GA5049460	Filter element, For filter body GA5005259, Suit foam marker compressor

Gauge Assembly



ITEM NO.	PART NUMBER	DESCRIPTION	QTY.
1	GA5048300	Tee, 1/4" female thread x 1/4" female thread x 1/4" female thread, Brass	1
2	GA3500258	Hydraulic coupling, Elbow, 90 degree, 1/4" BSPT male x 1/4" BSPT male	1
3	GA3500332	Hydraulic adapter; Elbow, 90 degree, 1/4" BSP male x 1/4" BSP female swivel	1
4	GA4948470	Gauge, Pressure, Small face, 160psi	1
5	GA5050285	Nipple, 1/4" male thread x 1/4" male thread, Brass	1