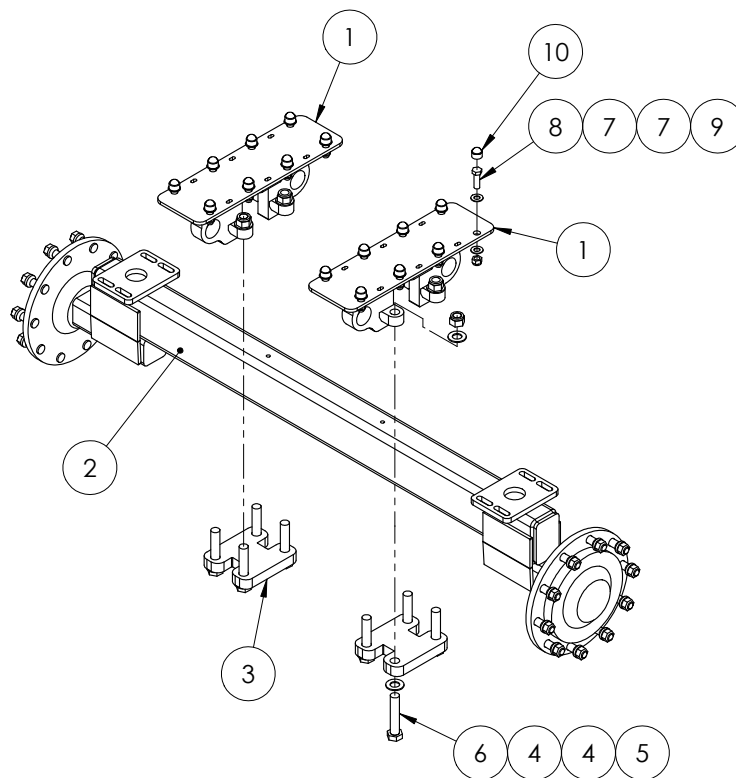


# Chapter 12

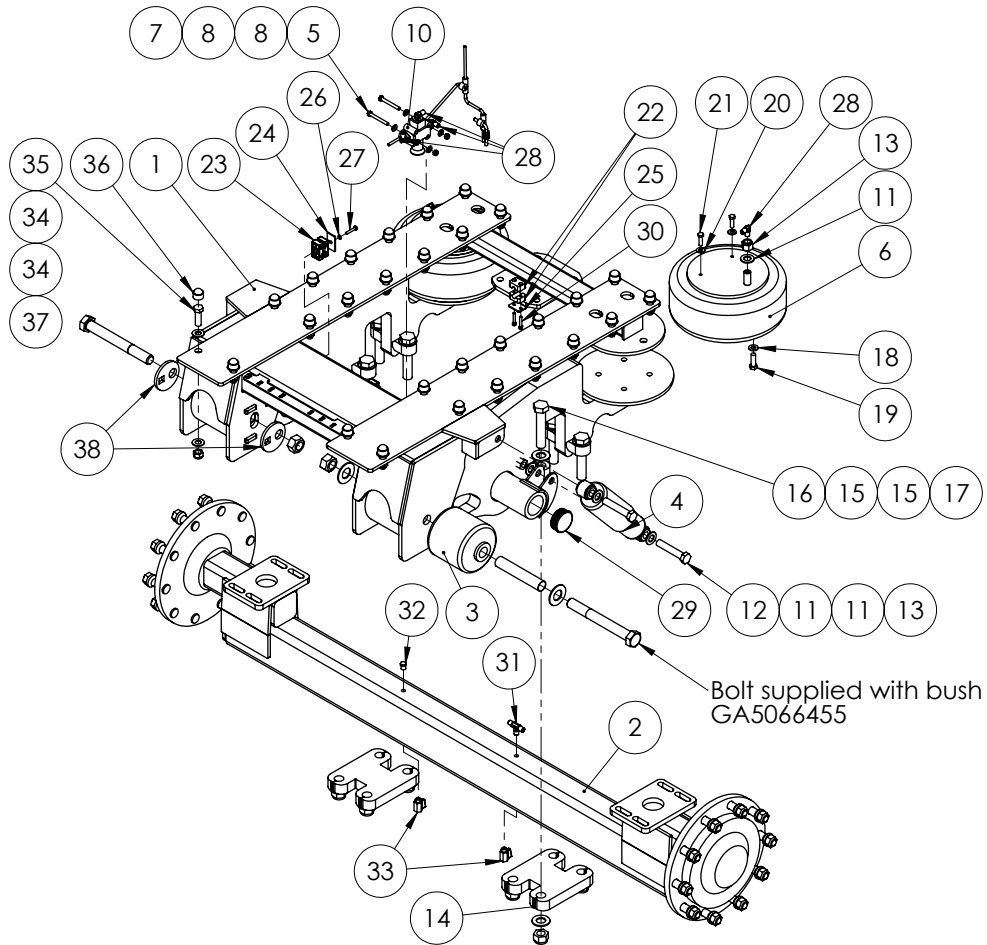
## WHEELS, AXLES & MUDGUARDS

### Rigid Axle



ITEM NO.	PART NUMBER	DESCRIPTION	QTY.
1	GA4652986	Axle carrier suit EF chassis	2
2	GA4656921	Axle EF Rigid 2000mm 10 Stud	1
	GA4656926	Axle EF Rigid 2050mm 10 Stud	
	GA4656931	Axle EF Rigid 2100mm 10 Stud	
	GA4656936	Axle EF Rigid 3000mm 10 Stud (with stiffener plates)	
3	GA4632050	Suspension narrow retainer (32mm FMS)	2
4	GA5017659	Washer, 1", Flat, ZP, Heavy duty (5mm thick)	16
5	GA5012439	Nut, Nyloc, 1" UNC, ZP	8
6	GA5006031	Bolt, 1"UNC x 5" ZP GR8	8
7	GA5001043	Washer 16mm Flat SS HD	32
8	GA5000931	Bolt M16 x 50 ZP GR8.8	16
9	GA5001029	Nut M16 Nyloc ZP	16
10	GA5075080	Hex nut protection cap suit M16, Black	16

# Air Bag Axle



ITEM NO.	PART NUMBER	DESCRIPTION	QTY.
1	GA4652810	Axle airbag frame EF 1.8m to 3m	1
	GA4656920	Axle EF Airbag 2000mm 10 Stud	
2	GA4656925	Axle EF Airbag 2050mm 10 Stud	1
	GA4656930	Axle EF Airbag 2100mm 10 Stud	
	GA4656935	Axle EF Airbag 3000mm 10 stud (with stiffener plates)	
3	GA5071010	Bi-functional Bush, Trailing Airbag Suspension Frame, Includes Bolt, Nut and Sleeve	2
4	GA5015139	Shock Absorber, Double eye, 19mm eye, 82mm OD, Black	2
5	GA5004738	Bolt M8 x 70 ZP GR8.8	2
6	GA5005311	Air spring, HT230 single air stud	2
7	GA5004917	Nut M8 Nyloc ZP	2
8	GA5003643	Washer 8mm Flat SS HD	4
9	GA5001045	Washer, 3/4", Flat ZP	1
10	GA5010868	Ride height valve, 1/4" connecting rods	1
11	GA5001741	Washer 20mm Flat SS HD	13
12	GA5049490	Bolt 3/4" UNC x 4" ZP GR8	4
13	GA5048430	Nut, Nyloc, 3/4" UNC, ZP	6

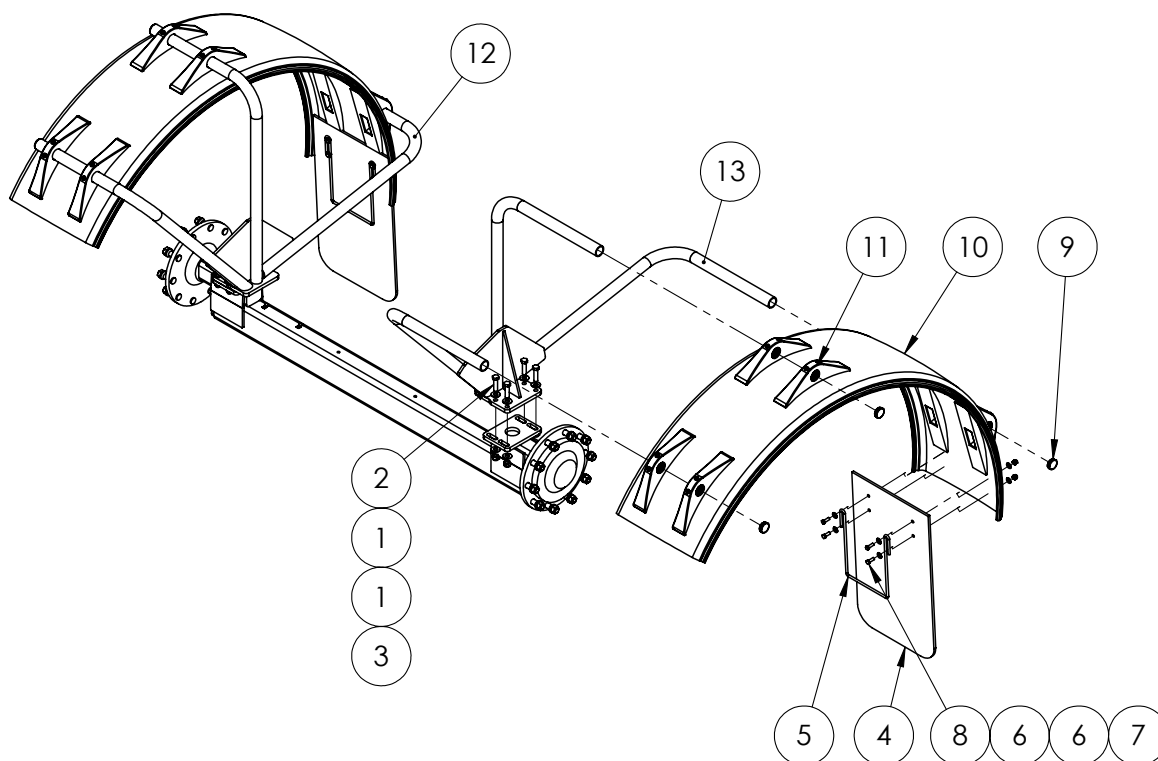
Continued over page

## Air Bag Axle

ITEM NO.	PART NUMBER	DESCRIPTION	QTY.
14	GA4632050	Suspension narrow retainer (32mm FMS)	2
15	GA5017659	Washer, 1", Flat, ZP, Heavy duty (5mm thick)	16
16	GA5006031	Bolt, 1"UNC x 5" ZP GR8 (2050mm Axles)	8
	GA5006151	Bolt 1"UNF x 8" x12 TPI ZP GR8 (3000mm Axles)	
17	GA5012439	Nut, 1" UNC, Nyloc ZP (2050mm Axles)	8
	GA5012445	Nut, 1" UNF 14 tpi Nyloc ZP (3000mm Axles)	
18	GA5017673	Washer 1/2" High Tensile	8
19	GA5068715	Bolt, 1/2"UNC x 1 1/2" GR8.8 ZP	8
20	GA5017623	Washer 3/8" Flat ZP HD	4
21	GA5002599	Set screw, 3/8"UNC x 1 1/4", SS	4
22	GA5078058	Mounting Clamp, Single type, Jaw, Pair, Group 3, 14mm	4
23	GA5078031	Mounting clamp, Double type, Jaw, Pair, Group 2, 14mm	4
24	GA5078042	Mounting clamp, Double type, Plate, Top, Group 2	2
25	GA5078068	Mounting Clamp, Single type, Plate, Top, Group 2	2
26	GA5004447	Washer, 6mm, Spring, SS	2
27	GA5011405	Bolt M6 x 35 ZP GR8.8	2
28	GA3500258	Hydraulic coupling, Elbow, 90 degree, 1/4" BSPT male x 1/4" BSPT male	5
29	GA5051366	End cap, 63.5 mm round, 1.25 - 2.0mm wall, black plastic	2
30	GA5011425	SHCS M6 x 35 SS GR304	4
31	GA3500269	Hydraulic adaptor, Tee, 1/4" BSPT male x 1/4" BSPT male x 1/4" BSPT male	1
32	GA5069335	Plug, 1/4" BSPT male thread, Brass	1
33	GA5018323	Valve, Ball, 1/4" male / female thread inlet / outlet, SS, Lever handle	2
34	GA5001043	Washer 16mm Flat SS HD	56
35	GA5000931	Bolt M16 x 50 ZP GR8.8	28
36	GA5075080	Hex nut protection cap suit M16, Black	28
37	GA5001029	Nut M16 Nyloc ZP	28
38	GA4524630	Plate Alignment Eccentric Air bag	2

**NOTE:** Rubber tee suit ride height levelling valve - GA5014651

# Mudguards



ITEM NO.	PART NUMBER	DESCRIPTION	QTY.
1	GA5001043	Washer 16mm Flat SS HD	16
2	GA5000939	Bolt M16 x 60 GR8.8 Black	8
3	GA5001029	Nut M16 Nyloc ZP	8
4	GA5011949	Mudflap Goldacres green /gold 450 old style	2
5	GA5075070	Bracket, Mud guard anti sail, Black	2
6	GA5002565	Washer, 3/8" ID x 1" OD, Flat SS	16
7	GA5011133	Nut M10 Dome nut SS	8
8	GA5006145	Bolt M10 x 30 SS A2-70	8
9	GA5003925	End cap, 45 mm round, Black plastic	6
10	GA5004263	Mudguard 630W x R1000	2
	GA5003825	Mudguard, Black plastic, 500 wide x 1000mm radius	
11	GA5066977	Mudguard Bracket Dunloflex suit 48.3mm pipe (H50.660)	12
12			1
13		Refer to tables over page for mudguard bracket part numbers	1

Continued over page

## Mudguards

---

### 32" WHEELS, AIR BAG AXLE

PART NUMBER	DESCRIPTION
GA4900591-EF-NS-32	Mudguard kit airbag axle 32"
GA4655078	Mudguard Bracket 38" RH EF rigid
GA4655079	Mudguard Bracket 38" LH EF rigid

### 38" WHEELS, AIR BAG AXLE

PART NUMBER	DESCRIPTION
GA4900591-EF-NS-38	Mudguards kit 38" to suit EF with a/bag suspension
GA4655078	Mudguard Bracket 38" RH EF airbag
GA4655079	Mudguard Bracket 38" LH EF airbag

### 38" WHEELS, RIGID AXLE

PART NUMBER	DESCRIPTION
GA4900591-P-EF-R	Mudguards kit 38" to suit EF with rigid axle
GA4655082	Mudguard Bracket 38" RH EF non airbag
GA4655083	Mudguard Bracket 38" LH EF non airbag

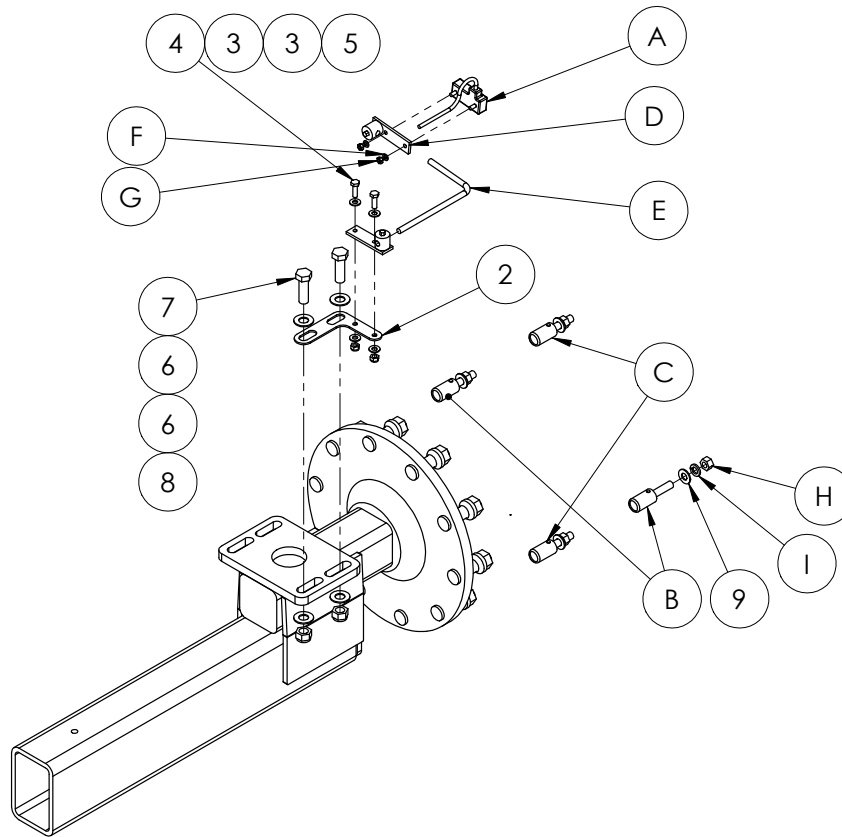
### 42" WHEELS, AIR BAG AXLE

PART NUMBER	DESCRIPTION
GA4900591-EF-NS-42	Mudguards kit 42" to suit EF with a/bag suspension
GA4655076	Mudguard Bracket 42" RH EF airbag
GA4655077	Mudguard Bracket 42" LH EF airbag

### 42" WHEELS, RIGID AXLE

PART NUMBER	DESCRIPTION
GA4900591-P-EF-R-42	Mudguards kit 42" to suit EF with rigid axle
GA4655088	Mudguard Bracket 42" RH EF non airbag
GA4655089	Mudguard Bracket 42" LH EF non airbag

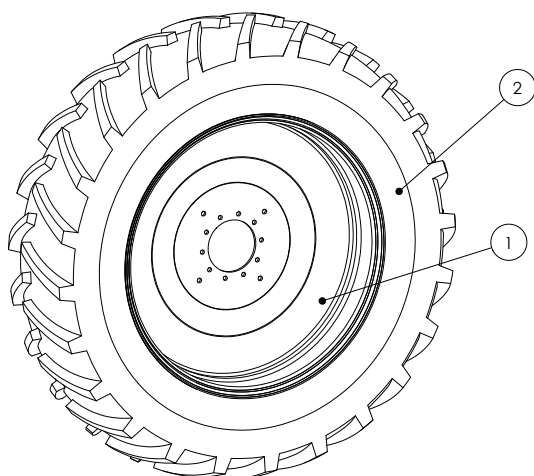
# Wheel Speed Sensor



GA5075858 Wheel speed sensor kit

ITEM NO.	PART NUMBER	DESCRIPTION	QTY.
A	GA5075857	Sensor;Wheel Drive Speed with 7 1/2' Cable, Raven	1
B	GA5075817	Magnet, Red North Pole Speed Sensor Assembly, Raven	2
C	GA5075818	Magnet, Black South Pole Speed Sensor Assembly, Raven	2
D	GA5075822	Sensor;Turret Assembly Speed Sensor; Raven	2
E	GA5076045	Rod, Speed Sensor; Raven	1
F	3131000016	Washer 1/4" lock split zinc	2
G	3121001031	Nut 1/4" - 20 hex ZP	2
H	3121001043	Nut 1/2" - 13 hex ZP	4
I	3131000028	1/2" lock washer	4
I	GA5075858	Sensor, Speed 4 Pole Wheel Drive with 7 1/2' Cable Kit, Raven	1
2	GA4534520	Speed Sensor Tab Bolt On	1
3	GA5003643	Washer 8mm Flat SS HD	4
4	GA5004711	Bolt M8 x 25 ZP GR8.8	2
5	GA5004917	Nut M8 Nyloc ZP	2
6	GA5001043	Washer 16mm Flat SS HD	4
7	GA5000931	Bolt M16 x 50 ZP GR8.8	2
8	GA5001029	Nut M16 Nyloc ZP	2
9	GA5017655	Washer 1/2" Flat SS	4

# Wheels



**NOTE:** When ordering complete wheel and tyre unit, please note which side is required. Rims are supplied painted and with speed sensor holes.

## 18.4 x 38" WHEELS

PART NUMBER	DESCRIPTION
GA5018820	Wheel DW 15 x 38, 10 studs on 335, 0 offset
GA5001108	Tyre 18.4 x 38 (16 Ply)

## 20.8 x 42" WHEELS

PART NUMBER	DESCRIPTION
GA5020340	Wheel, DW18 x 42, 10 studs on 335, 0 offset
GA5020830	Tyre, 20.8 X 42 (16 Ply) TLR

## 24.5 x 32" WHEELS

PART NUMBER	DESCRIPTION
GA5018814	Wheel DW 21 X 32, 10 studs on 335, 0 offset
GA5001837	Tyre 24.5 X 32 (16 Ply)

## 20.8 x 42" WHEELS - 520

PART NUMBER	DESCRIPTION
GA5020340	Wheel DW18 x 42", 10 Stud on 335 0 offset
GA5020831	Tyre, 20.8 x 42 Radial 520/85

## 20.8 x 42" WHEELS - 580

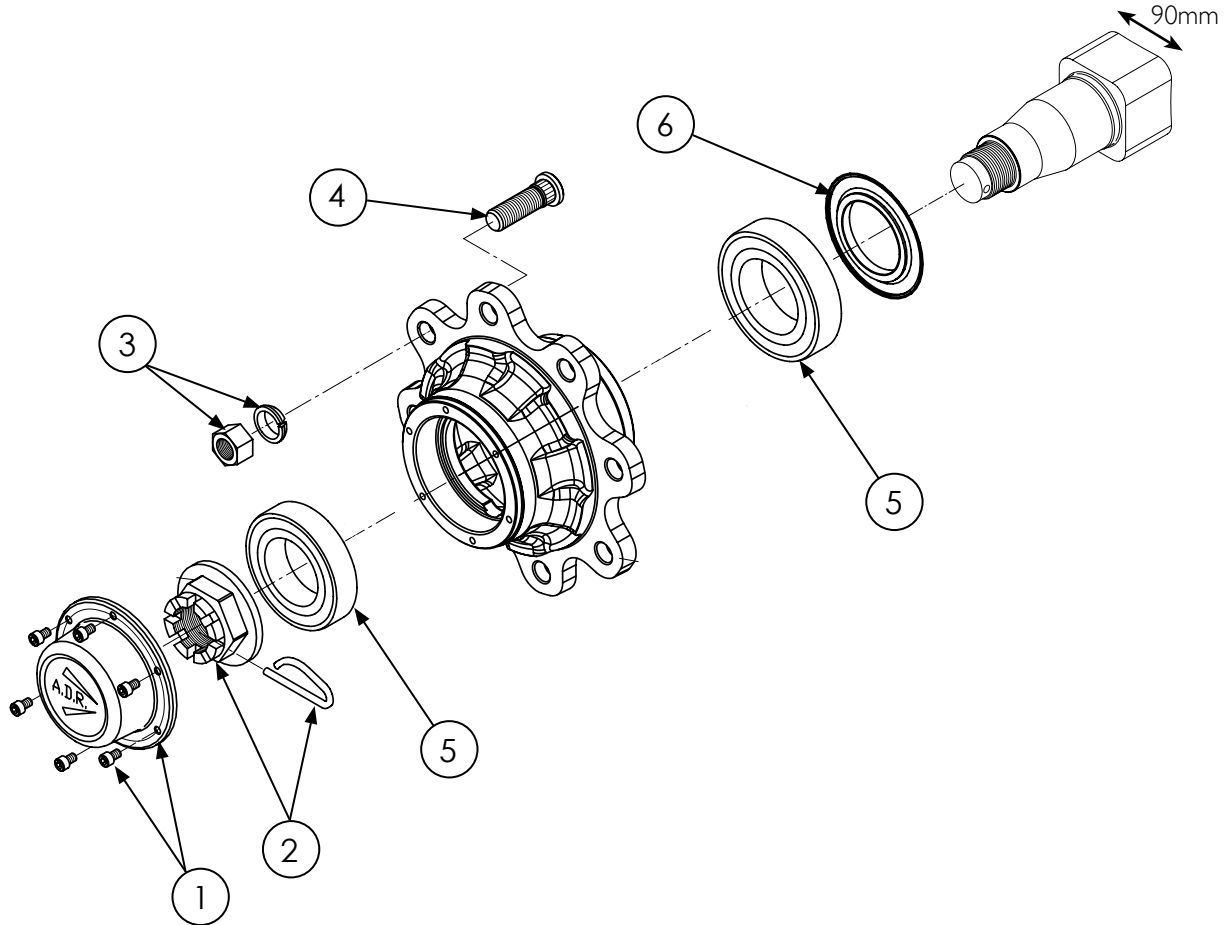
PART NUMBER	DESCRIPTION
GA5020340	Wheel DW18 x 42", 10 Stud on 335 0 offset
GA5050381	Tyre 580 /70R x 42 Radial

## WHEEL NUTS

PART NUMBER	DESCRIPTION
GA5018892	Wheel nut, M22 x 1.5mm, ZP
GA5018900	Tapered spring Washers suit M22 wheel stud (329F003)
GA5054675	Cap M20 hex Wheel nut cover

# Hub - 90 Series - Unbraked

**NOTE:** Measure the cross section to determine size/series.



ITEM NO.	PART NUMBER	DESCRIPTION	QTY.
-	GA5018119	Stub axle, 90 series, ADR	-
1	GA5052120	Cap Kit, 90 series, ADR	1
2	GA5052190	Crown Nut Kit, 80/90 Series, ADR	1
3	GA5052165	Wheel nut kit, Suit 90 / 110 series stub axle, ADR (set of 10)	1
4	GA5052205	Wheel stud kit, 90 Series, ADR (set of 10)	1
5	GA5052200	Bearing Kit, 90 Series, ADR	1
6	GA5066405	Seal kit, 90 Series, ADR	1