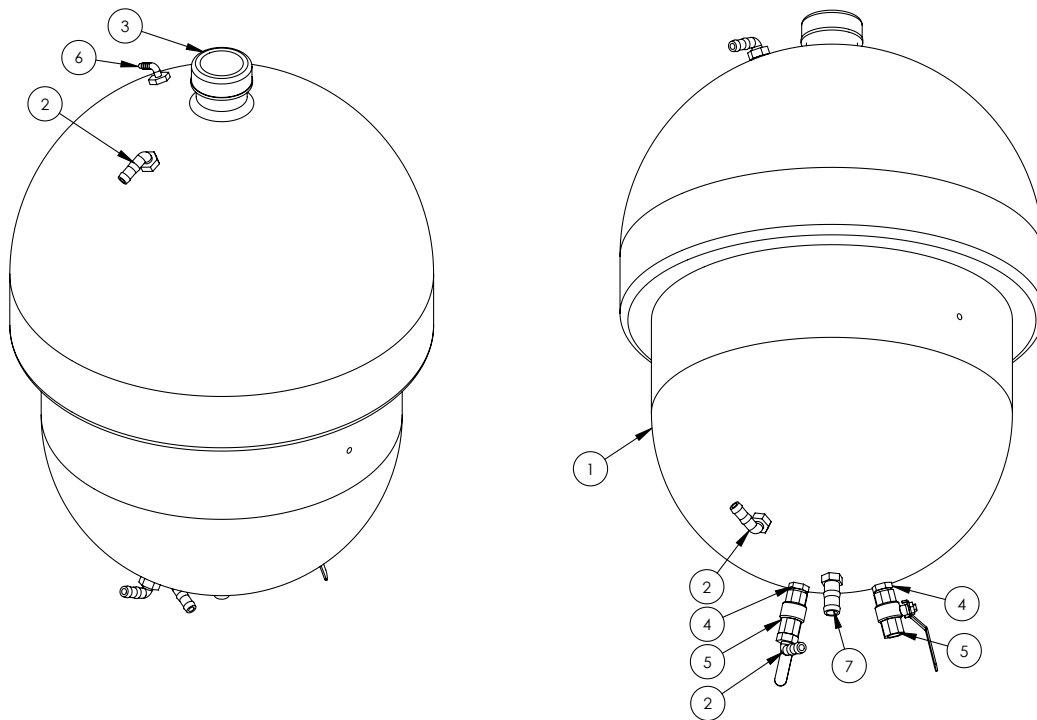


Chapter 9

FOAM MARKER

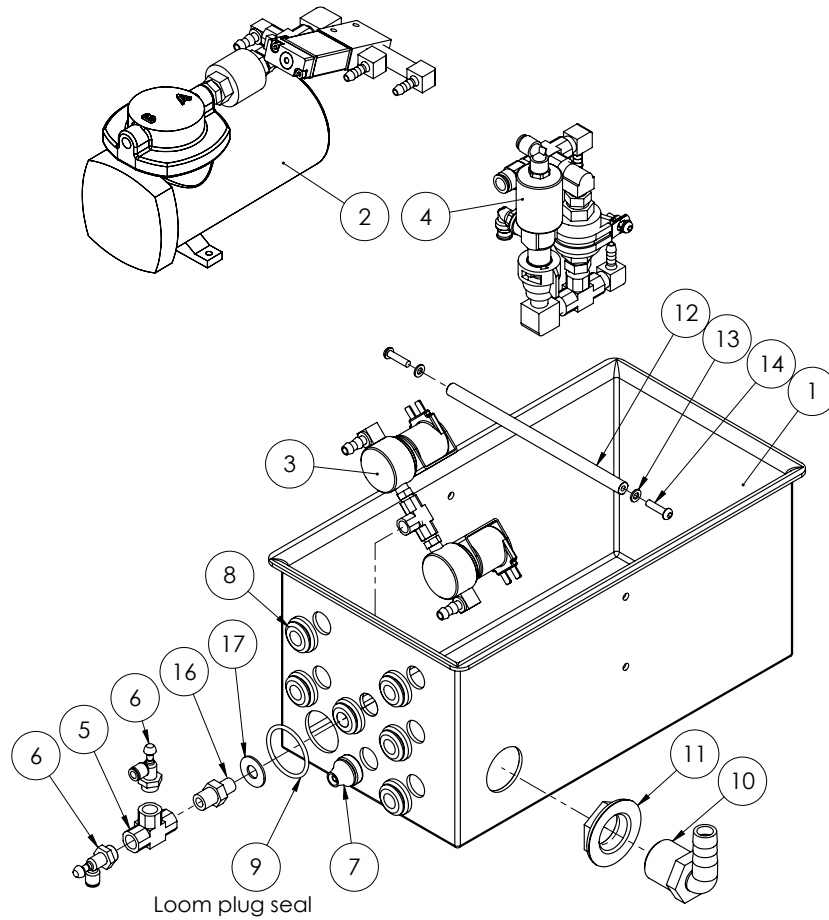
Foam Marker Tank 100L



ITEM NO.	PART NUMBER	DESCRIPTION	QTY.
1	GA5018487	Tank, 100L, Exacta foam marker; Purchased	1
2	GA5077708	Hose barb, Elbow, 90 degree, 1/2" male thread x 1/2" hose	3
3	GA5009157	Cap, Suit Exacta foam tank, O-ring not included	1
4	GA5048310	Nipple, 1/2" thread x 1/2" thread, Brass	2
5	GA5018309	Valve, Ball, 12mm female thread inlet / outlet, Lever handle, SS	2
6	GA5077656	Hose barb, Elbow, 90 degree, 1/2" male thread x 1/4" hose	1
7	GA5077707	Hose barb, 1/2" male thread x 3/4" hose, Banjo	1
-	GA5009187	O-ring, 60 x 5.5mm, suits Exacta tank cap	1

NOTE: See Chapter 4 'Right Hand Pod' chapter foam marker compressor details.

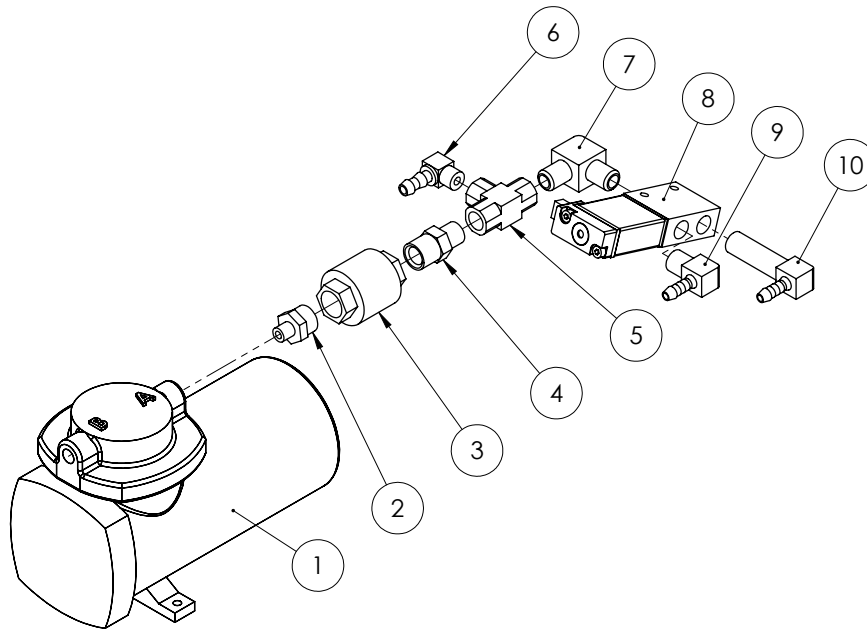
Foam Marker Box



ITEM NO.	PART NUMBER	DESCRIPTION	QTY.
1	GA5066955-1	Foam marker box & lid	1
2	*	Foam Marker Air Compressor Assembly	1
3	*	Foam Marker Solenoid Assembly	1
4	*	Foam Marker Exhaust Valve Assembly	1
5	GA5048300	Tee, 1/4" female thread x 1/4" female thread x 1/4" female thread, Brass	1
6	GA5015643	Valve, Needle, 6mm push type inlet x 1/8" male thread inlet, Legris	2
7	GA5017703	Grommet grey 19 x 5mm	1
8	GA5012199	Neop Grommet 29mm OD	6
9	GA5065820	O-ring, 38 x 3mm, Suits AS40 plumbing fittings	1
10	GA5077719	Hose barb, Elbow, 90 degree, 1" male thread x 3/4" hose, Banjo	1
11	GA5076630	Back Nut 1"	1
12	GA4572130	Compressor Box Spacer Rod	1
13	GA5003983	Washer 5mm Flat SS	4
14	GA5003581	SHCS M5 x 20 SS GR12.9	3
15	GA5003975	Nut M5 Nyloc SS	1
16	GA5013809	Reducing Nipple 1/4" x 1/8"	1
17	GA5002565	Washer, 3/8" ID x 1" OD, Flat SS	1

* Sub-assembly on following pages

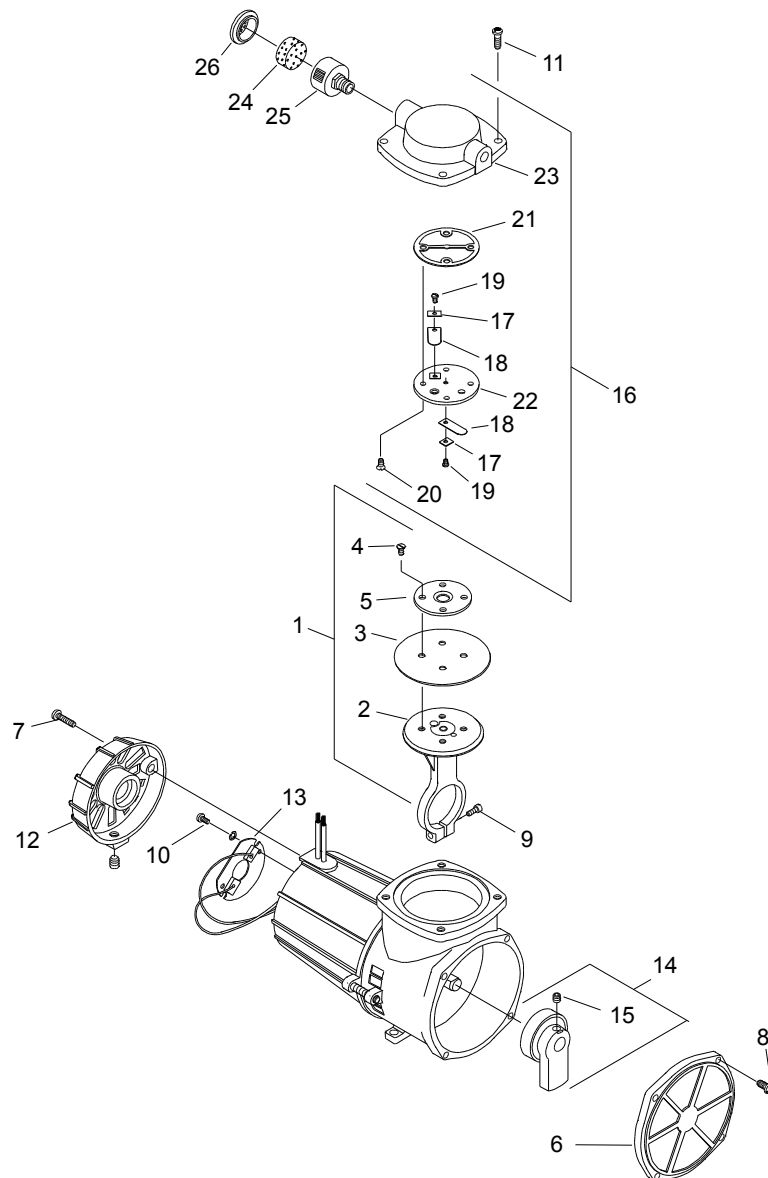
Foam Marker Air Compressor Fittings



ITEM NO.	PART NUMBER	DESCRIPTION	QTY.
1	GA5018806*	Air compressor, Suit foam marker; 12V 39.6L/min 35psi maximum pressure	2
2	GA5020690	Reducing nipple, 1/8" male thread x 3/8" male thread, Brass	1
3	GA5020010	Valve, Check, 3/8" female thread inlet & outlet, Brass	1
4	GA5045085	Reducing nipple, 3/8" male thread x 1/4" male thread, Brass	1
5	GA5048300	Tee, 1/4" female thread x 1/4" female thread x 1/4" female thread, Brass	1
6	GA5066950	Barb elbow brass 1/4" x 1/8"	1
7	GA5008343	Elbow male thread 1/4" x 1/4"	1
8	GA5002959	Solenoid valve, Electric over air, MAC	1
9	GA5048340	Elbow, 90 degree, 1/4" male thread x 1/4" hose, Brass	1
10	GA5008347	Elbow male barb 1/4" x 1/4" Long 40 mm	1

* Sub-assembly on following pages

Foam Marker Air Compressor Assembly



ITEM NO.	PART NUMBER	DESCRIPTION	QTY.
-	GA5018806	Air compressor; Suit foam marker; 12V 39.6L/min 35psi maximum pressure	-
-	GA4948635	Service Kit, Suit foam marker compressor 107CDC20, Includes diaphragm, gasket, valves, screws & air filter	-
1	607180	Connecting Rod Assembly	1
2	607139	Connecting Rod	1
3	GA5009165	Diaphragm	1
4	GA5007339	Screw - Hold Down Plate	4
5	GA5013073	Hold Down Plate	1
6	614608	Front Cover	1
7	625260	Screw - Motor End Cap	2
8	625660	Screw - Front Cover	4

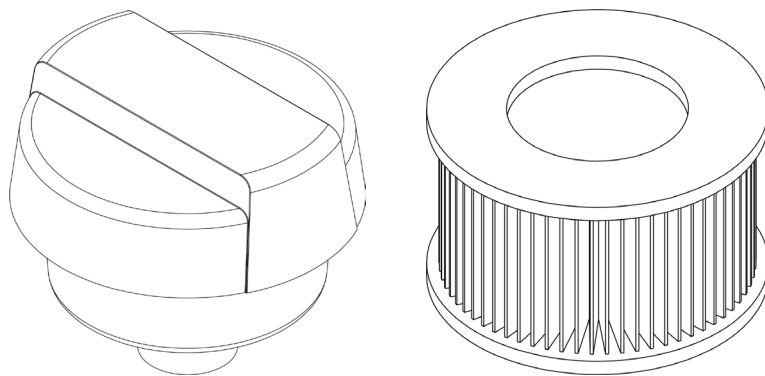
Continued over page

Foam Marker Air Compressor Assembly

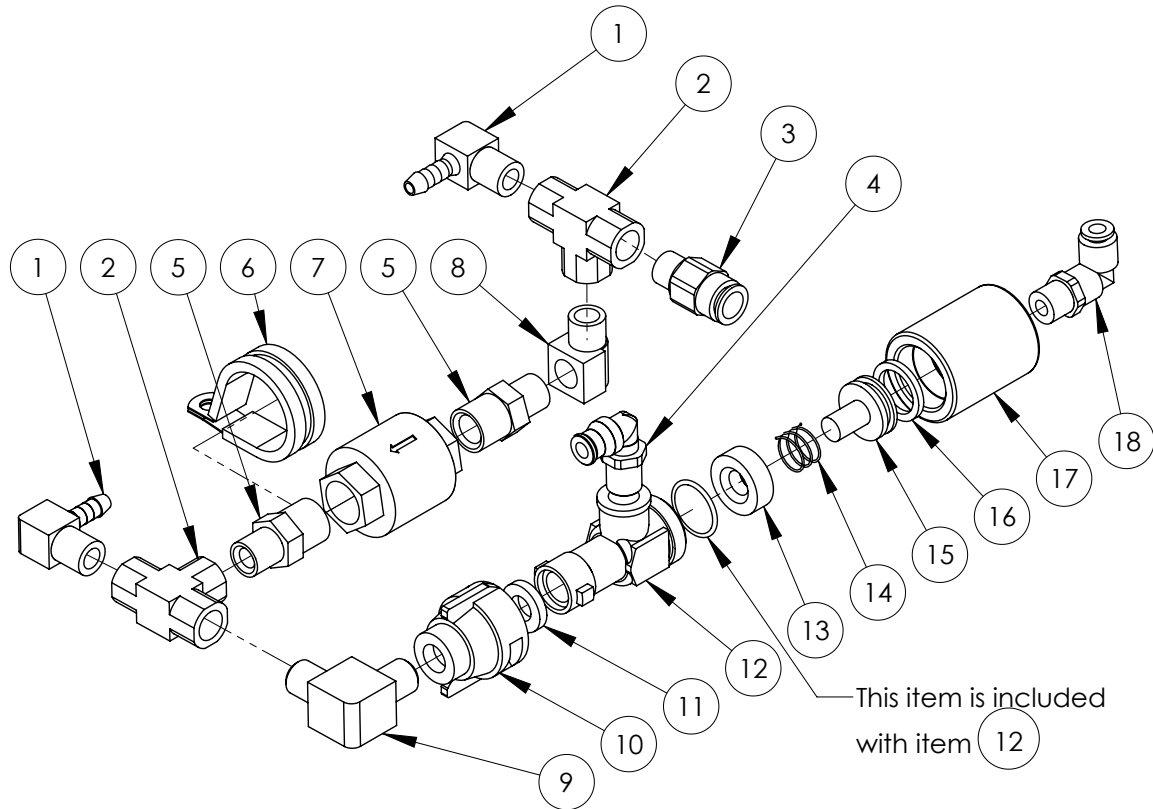
ITEM NO.	PART NUMBER	DESCRIPTION	QTY.
9	625114	Conn Rod. Screw	1
10	625476	Screw - Brush Card	2
11	625444	Screw - Head	4
12	620352	Motor End Cap Assembly	1
13	GA5006445	Brush kit Thomas compressor	1
14	645373	.18 Stroke Eccentric & Bearing Assy	1
	667611	.20 Stroke Eccentric & Bearing Assy	1
15	625244	Set Screw - Eccentric	1
16	GA5016651	Head & Valve Plate Assembly	1
17	GA5017351	Valve Keeper	2
18	GA5008789	Valve Flapper - Intake & Exhaust	2
19	GA5007337	Screw - Flapper	2
20	GA5014803	Screw - Valve Plate	4
21	GA5007335	Gasket - Head	1
22	654129	Valve Plate	1
23	660131-504	Head	1
24	641034	Filter Foam	1
25	660763	Filter Body	1
26	660767	Filter Body Cap	1

AIR COMPRESSOR FILTER PARTS

PART NUMBER	DESCRIPTION
GA5005259	Air filter, 1" BSP male thread
GA5049460	Filter element, For filter body GA5005259, Suit foam marker compressor



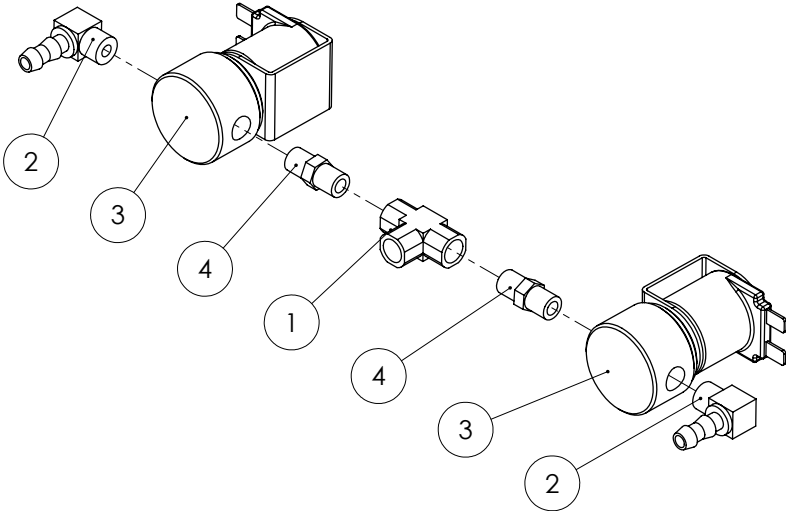
Foam Marker Exhaust Valve Assembly



GA4912005 Complete Valve Assembly

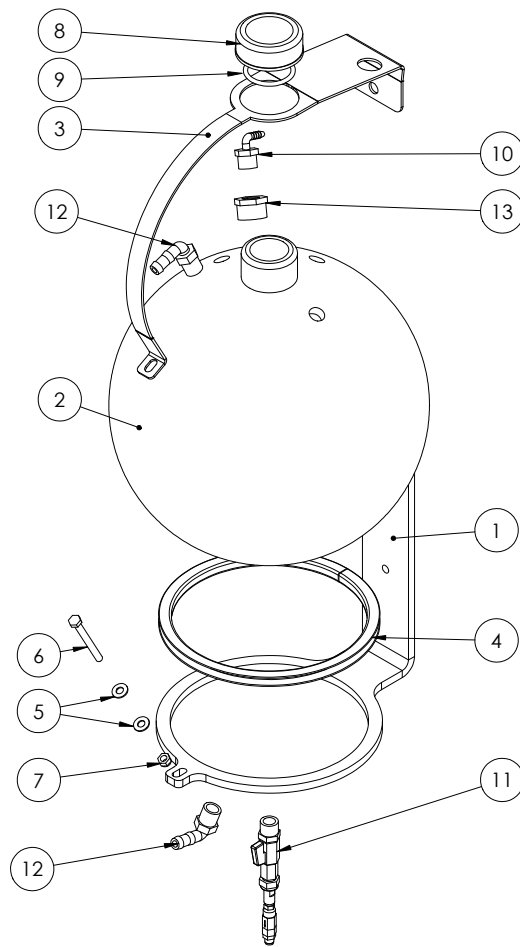
ITEM NO.	PART NUMBER	DESCRIPTION	QTY.
1	GA5048340	Elbow, 90 degree, 1/4" male thread x 1/4" hose, Brass	2
2	GA5048300	Tee, 1/4" female thread x 1/4" female thread x 1/4" female thread, Brass	2
3	GA5045140	Pneumatic fitting, Nipple, 1/4" BSPT male x 6mm push type, Brass	1
4	GA5016233	Pneumatic fitting, Elbow, 90 degree, 1/4" BSP male x 6mm push type, Metal	1
5	GA5045085	Reducing nipple, 3/8" male thread x 1/4" male thread, Brass	2
6	GA5048090	Clamp, P, 35mm	1
7	GA5020010	Valve, Check, 3/8" female thread inlet & outlet, Brass	1
8	GA5048305	Elbow, 90 degree, 1/4" BSP male x 1/4" BSP female, Brass	1
9	GA5008343	Elbow male thread 1/4" X 1/4"	1
10	GA5077983	Nozzle cap & washer, Black, Nylon	1
11	GA5055245	Washer, Nozzle Cap Seal, Rubber, 19mm OD x 9mm ID, Suit Tee Jet Nozzle, Replaces CP19438-EPR	1
12	GA5077990	Nozzle body, Single, 1/4" NPT female inlet	1
13	GA4572010	Air Chemsaver Washer	1
14	GA5045090	Spring, foam marker 14mm OD x 14mm long, 0.7mm SS	1
15	GA4572005	Air Chemsaver Piston	1
16	GA5077548	Cup Seal (Foam Marker Exhaust Valve)	1
17	GA4572000	Air Chemsaver Body	1
18	GA5045145	Elbow, swivel, push in 6mm, Brass 1/8" BSPT	1

Foam Marker Solenoid Assembly



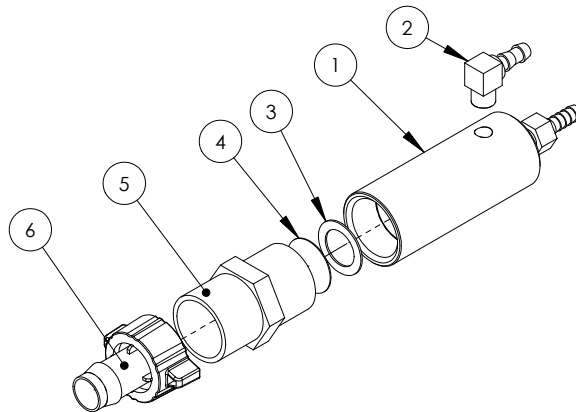
ITEM NO.	PART NUMBER	DESCRIPTION	QTY.
1	GA5016559	Tee female brass 1/8"	1
2	GA5066950	Barb elbow brass 1/4" x 1/8"	2
3	GA5018395	Solenoid valve, Suit foam marker	2
4	GA5066935	Nipple brass 1/8" x 1/8"	2

Foam Concentrate Bottle



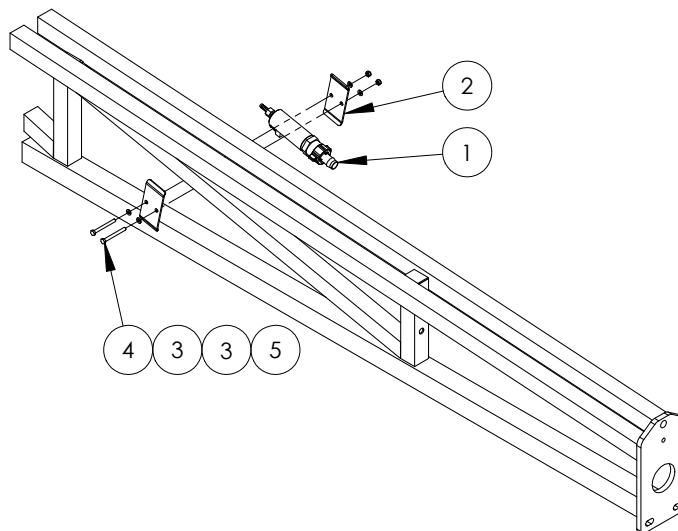
ITEM NO.	PART NUMBER	DESCRIPTION	QTY.
1	F70609A	Direct injection bottle mount plate 10mm FMS	1
2	GA4901038	Tank 25 litre round ball suit foam (Purchased)	1
3	F70622A	Direct inject bottle strap	1
4	GA5010085	Hollow section rectangular rubber	1
5	GA5003643	Washer 8mm Flat SS HD	2
6	GA5004749	Bolt M8 x 80 ZP GR8.8	1
7	GA5004917	Nut M8 Nyloc ZP	1
8	GA5075400	Cap, Suit Exacta foam tank, O-ring not included	1
9	GA5009187	O-ring, 60 x 5.5mm, suits Exacta tank cap	1
10	GA5077656	Hose barb, Elbow, 90 degree, 1/2" male thread x 1/4" hose	1
11	-	Filter & Ball Valve, for direct foam injection, sub-assembly	1
12	GA5077708	Hose barb, Elbow, 90 degree, 1/2" male thread x 1/2" hose, Banjo	2
13	GA5078013	Reducer bush, 1" male thread x 1/2" female thread, Banjo	1

Foam Generator



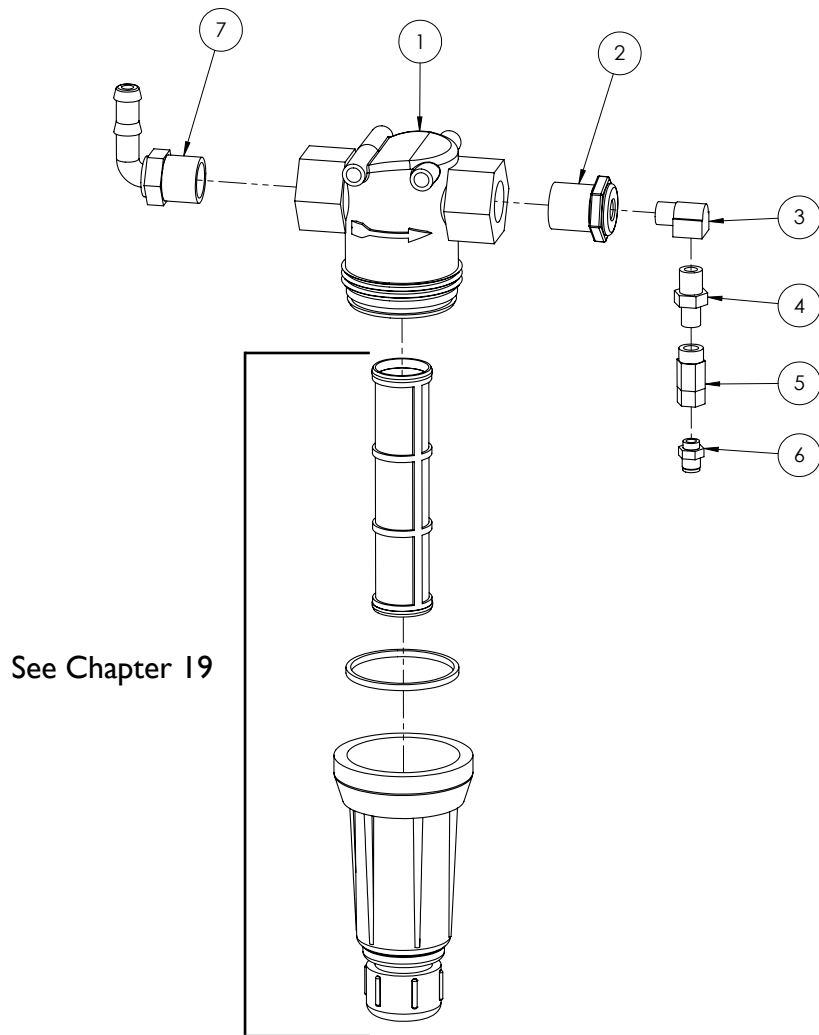
ITEM NO.	PART NUMBER	DESCRIPTION	QTY.
1	FGEN	Foam Generator nozzle sub assembly (3 parts nozzle & body & lock nut)	1
2	GA5066950	Barb elbow brass 1/4" x 1/8"	1
3	GA5002497	Washer, Flat, 3/4" x 1 1/8", Copper	1
4	GA4948390	Filter screen, circle, Suit foam generator, SS, 200 mesh	1
5	GA5077914	Nipple, Short, 1" male thread x 1" male thread, Banjo	1
6	GA5007621	Hose barb, Straight, 1" BSP female thread with grip tabs x 19mm hose tail	1

Foam Generator Mounting



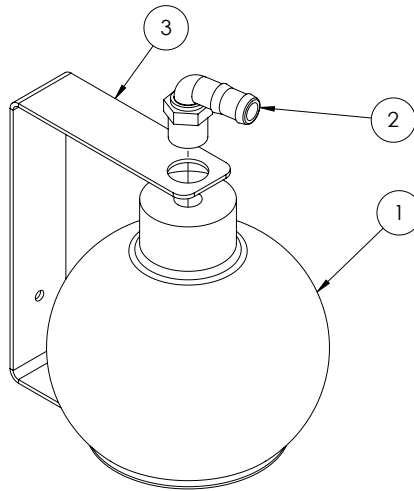
ITEM NO.	PART NUMBER	DESCRIPTION	QTY.
1	FGEN-COM	Foam marker, Foam generator assembly	1
2	F70239A	Bracket, Foam generator clamp	2
3	GA5004437	Washer 6mm Flat SS	4
4	GA5004097	Bolt M6 x 60 ZP GR8.8	2
5	GA5048115	Nut M6 Nyloc ZP	2

Foam Marker Filter



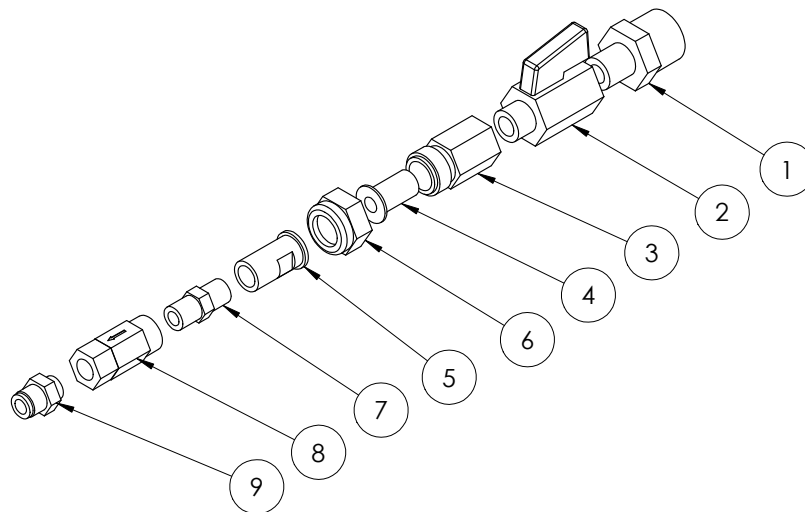
ITEM NO.	PART NUMBER	DESCRIPTION	QTY.
1	GA5077270	Filter, 3/4" female thread inlet / outlet, Orange 200 mesh screen, Teejet	1
2	GA5078008	Reducing bush, 3/4" male thread x 1/4" female thread, Banjo	1
3	GA5048305	Elbow, 90 degree, 1/4" BSP male x 1/4" BSP female, Brass	1
4	GA5013809	Reducing Nipple 1/4" x 1/8"	1
5	GA5018147	Check valve inline 1/8" NPT Female	1
6	GA5050210	Pneumatic fitting, Nipple, 1/8" BSPP male x 6mm push type	1
7	GA5077710	Hose barb, Elbow, 90 degree, 3/4" male thread x 1/2" hose, Banjo	1

Foam Accumulator Assembly



ITEM NO.	PART NUMBER	DESCRIPTION	QTY.
1	GA5008491	Accumulator, Foam marker, Exacta, Green	1
2	GA5077717	Hose barb, Elbow, 90 degree, 3/4" male thread x 3/4" hose	1
3	F70841A	Bracket, Foam accumulator mounting, Suit 50 x 50 RHS	1

Filter & Ball Valve - Direct Foam Injection



ITEM NO.	PART NUMBER	DESCRIPTION	QTY.
1	GA5012259	Reducing nipple, 1/2" male thread x 1/4" male thread, Brass	1
2	GA5018323	Valve, Ball, 1/4" male / female thread inlet / outlet, SS, Lever handle	1
3	GA5077369	Nozzle body, Single, 1/4" male NPT inlet, Brass, Teejet	1
4	GA5077157	Filter screen, Nozzle tip, Orange 200 mesh, Polypropylene & SS, Teejet	1
5	GA5077543	Adapter, Brass, 4908	1
6	GA5077372	Nozzle cap, Brass, CPI 325, Teejet	1
7	GA5066935	Nipple brass 1/8" x 1/8"	1
8	GA5018147	Check valve inline 1/8" NPT Female	1
9	GA5050210	Pneumatic fitting, Nipple, 1/8" BSPP male x 6mm push type	1

