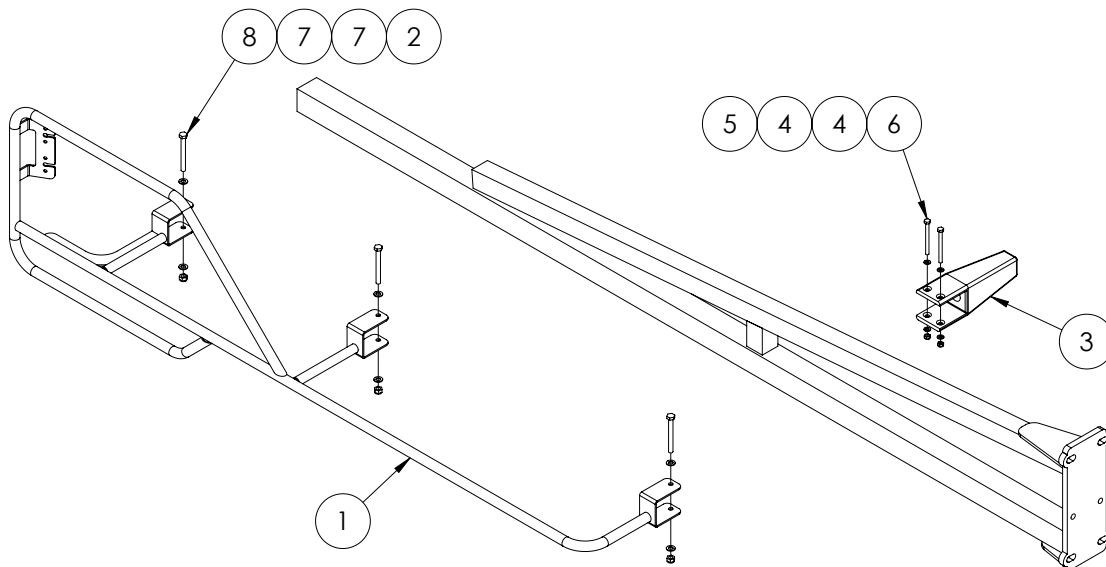


# Chapter 14

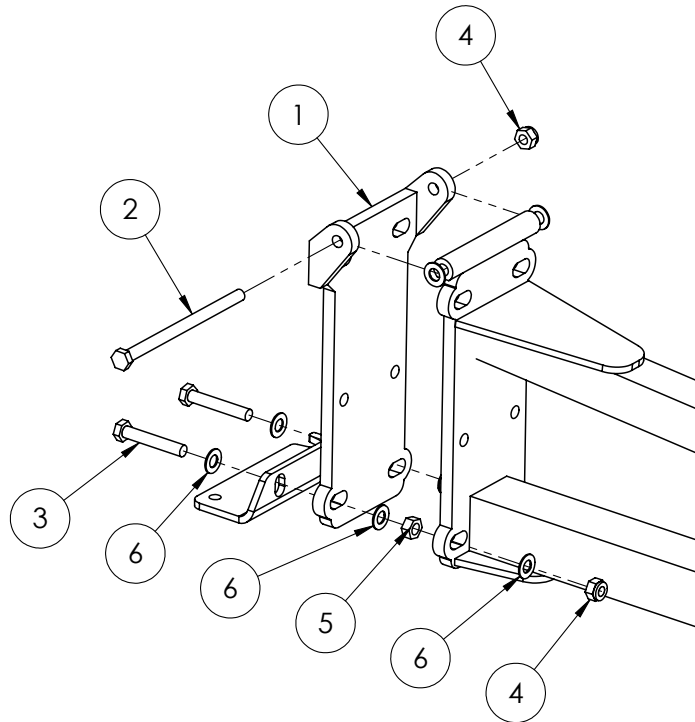
## BOOM WING

### Fence Line End Protector - Quick Fit



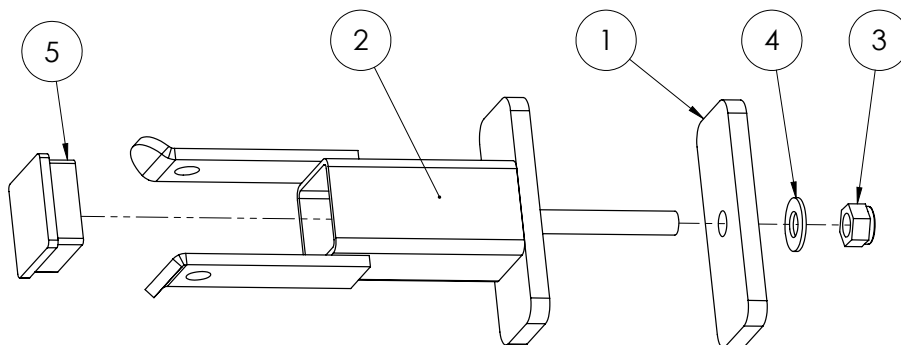
ITEM NO.	PART NUMBER	DESCRIPTION	QTY.
1	GA4656316	Boom End Protector easy fit Right Hand	1
	GA4656317	Boom End Protector easy fit Left Hand	
2	GA5004917	Nut M8 Nyloc ZP	3
3	GA5006226	Boom stopper; Rubber; 210mm bumper; Suits 50 x 50mm RHS	1
4	GA5004437	Washer 6mm Flat SS	4
5	GA5048115	Nut M6 Nyloc ZP	2
6	GA5004107	Bolt M6 x 70 ZP GR8.8	2
7	GA5003643	Washer 8mm Flat SS HD	6
8	GA5052600	Bolt M8 x 75 SS	3

## Flip Over Ends



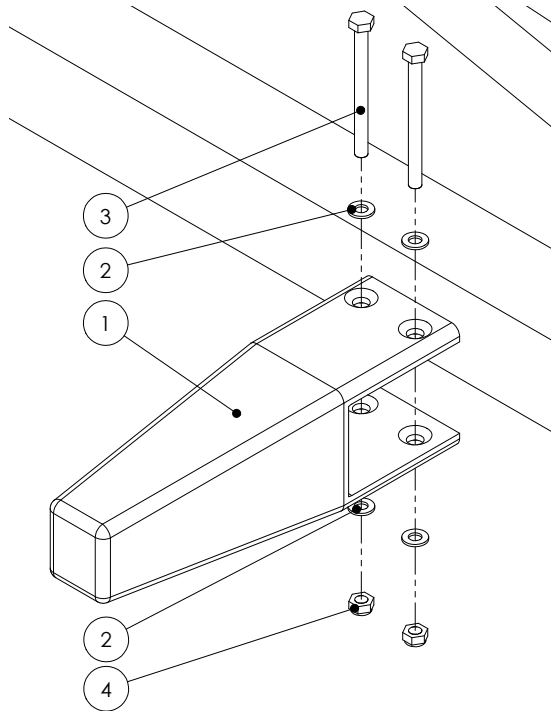
ITEM NO.	PART NUMBER	DESCRIPTION	QTY.
1	GA4656110	Flip over end bracket only	1
2	GA5066910	Bolt M10 x 160 ZP GR8.8	1
3	GA5011175	Bolt M10 x 60 ZP GR8.8	2
4	GA5000141	Nut M10 Nyloc ZP	3
5	GA5012459	Nut M10 Hex ZP	2
6	GA5000117	Washer 10mm Flat SS HD	10

## Flip Over End Saddle



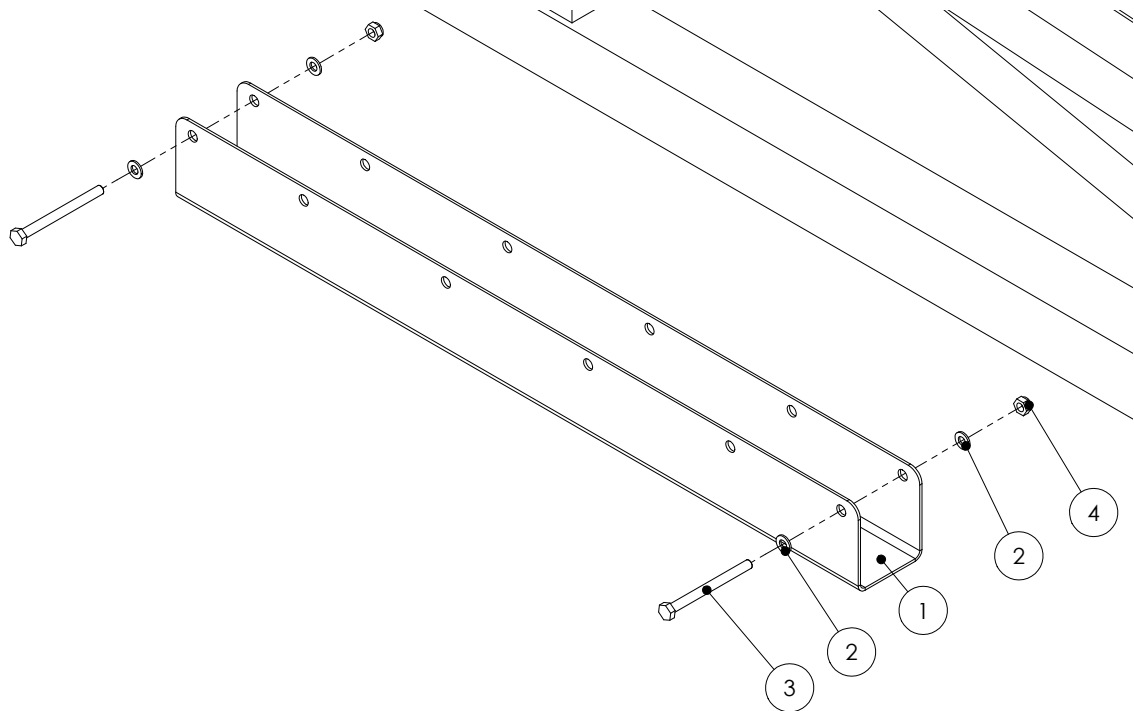
ITEM NO.	PART NUMBER	DESCRIPTION	QTY.
1	FOE-005LAS	Mounting plate	4
2	GA4656310	Boom flipover saddle suit 50mm top cord	2
3	GA5012461	Nut M12 Nyloc ZP	2
4	GA5000577	Washer 12mm Flat SS HD	1
5	GA5003783	End cap, Insert, Black, Plastic, 50 x 50 mm	1

# Rubber Bump Stop



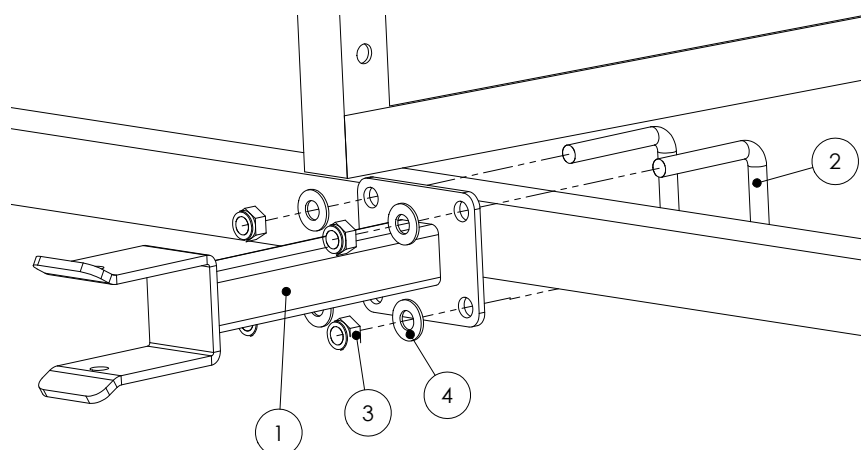
ITEM NO.	PART NUMBER	DESCRIPTION	QTY.
1	GA5006226	Boom stopper; Rubber; 210mm bumper, Suits 50 x 50mm RHS	1
2	GA5004437	Washer 6mm Flat SS	4
3	GA5004103	Bolt M6 x 70 ZP GR8.8	2
4	GA5048115	Nut M6 Nyloc ZP	2

## Boom Protector - Inner



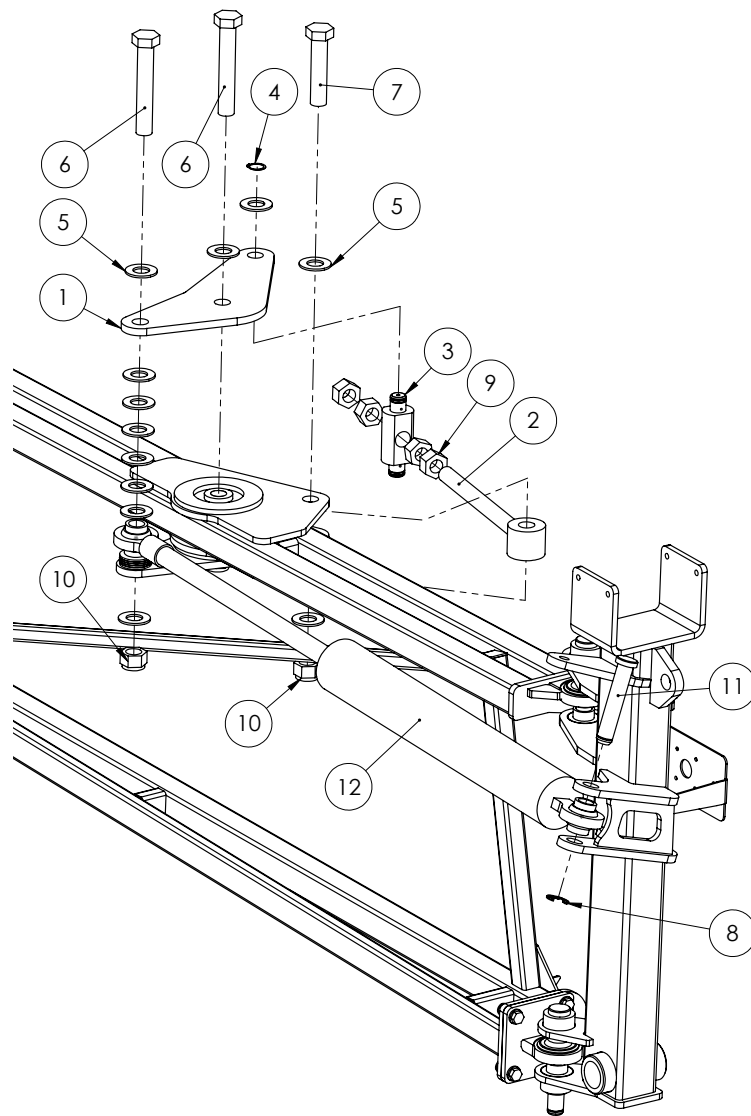
ITEM NO.	PART NUMBER	DESCRIPTION	QTY.
1	F70799A	Boom wing protector Suit 50 x 50 x 600mm long (2mm SS)	1
	F70287A	Boom wing protector Suit 50 x 50 x 400mm long (2mm SS)	1
	F70294A	Boom wing protector Suit 50 x 50 x 200mm long (2mm SS)	1
2	GA5004437	Washer 6mm Flat SS	4
3	GA5004103	Bolt M6 x 70 ZP GR8.8	2
4	GA5048115	Nut M6 Nyloc ZP	2

## Boom Protector - Outer



ITEM NO.	PART NUMBER	DESCRIPTION	QTY.
1	GA4656284	Delta boom fold saddle suit 50mm top cord	2
2	GA5011251	U Bolt M12 x 52mm x 80mm Square Top	4
3	GA5012461	Nut M12 Nyloc ZP	8
4	GA5000577	Washer 12mm Flat SS HD	8

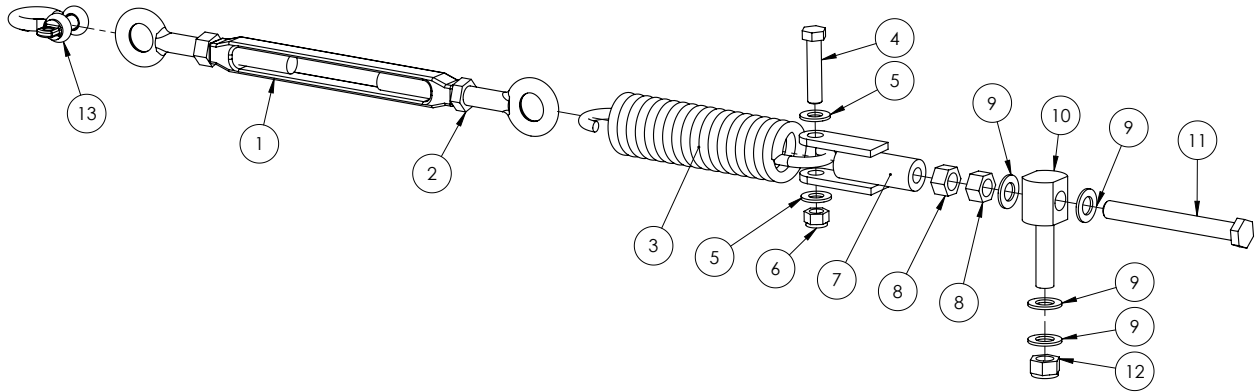
# Boom Fold Adjuster



ITEM NO.	PART NUMBER	DESCRIPTION	QTY.
1	24mk4DB005	Adjuster plate, Fold ram, Tritech boom	2
2	GA5070775	Boom fold adjuster eyelet bolt, HD MY13	1
3	24mk4DB006	Bush / pin, Fold ram adjuster nut and bolt retainer	1
4	GA5008519	Circlip, External, 25mm	2
5	GA5017659	Washer, 1", Flat, ZP, Heavy duty (5mm thick)	19
6	GA5006043	Bolt 1" UNF x 6" x 14 TPI ZP GR8	2
7	GA5006039	Bolt 1" UNF 14 TPI x 4 1/2" ZP GR8	1
8	GA5001223	Circlip, 19mm, E type, zinc plated	2
9	GA5010991	Nut 1" UNF 12 tpi ZP	4
10	GA5012445	Nut 1" UNF 14 tpi Nyloc ZP	3
11	GA4572200	Pin, 1" diameter x 132.4mm long, With shoulder and circlip groove	1
12	GA5018555	Hydraulic Cylinder SLPSP (tld) 2.5" x 18" stroke	1
	GA5018557	Hydraulic Cylinder SLPSP 2.75" bore x 18" stroke	

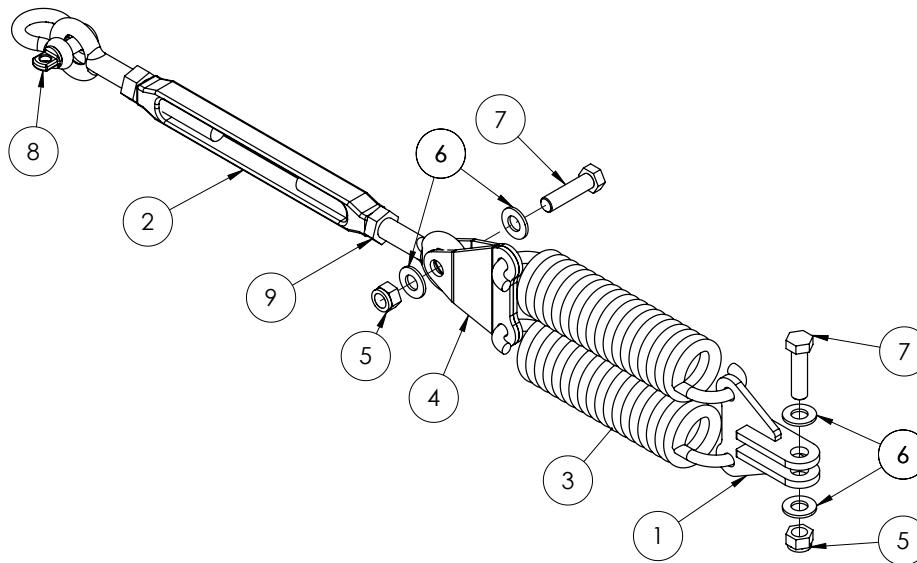
**NOTE:** Right hand side shown, all quantities shown are for one side only.

## Boom Cable Spring - Single



ITEM NO.	PART NUMBER	DESCRIPTION	QTY.
1	GA5017061	Turnbuckle, Eye ends, M22 thread & lock nut, Galvanised	1
2	GA5070430	Nut M22 Lock Nut ZP LH Thread	1
3	GA5010793	Spring, tension, 70 OD x 329 long x 12mm, large, suit delta boom yaw / cable	1
4	GA5000955	Bolt M16 x 75 GR8.8 ZP	1
5	GA5001043	Washer 16mm Flat SS HD	2
6	GA5001029	Nut M16 Nyloc ZP	1
7	GA4656265	Boom cable tension adjust 18-24m	1
8	GA5001709	Nut M20 Coarse ZP	2
9	GA5001741	Washer 20mm Flat SS HD	4
10	L006A	Bolt, M20, Anchor Pivot, Suit cable adjuster	1
11	MACH0137	18CS Tension Bolts (30mm HEX)	1
12	GA5048125	Nut M20 Nyloc Coarse ZP	1
13	GA5075230	Bow Shackle 13mm WLL 3.25T Black	1

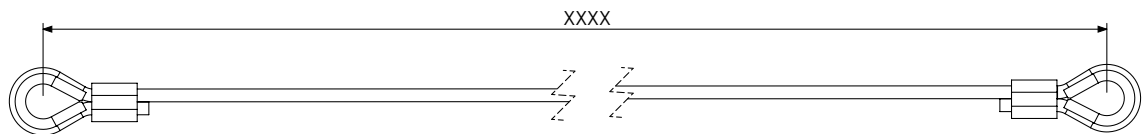
## Boom Cable Spring - Double



ITEM NO.	PART NUMBER	DESCRIPTION	QTY.
1	GA4658375	18-24m Cable Spring Shocker Mount suit 2012 delta	1
2	GA5017061	Turnbuckle, Eye ends, M22 thread & lock nut, Galvanised	1
3	GA5010793	Spring, tension, 70 OD x 329 long x 12mm, large, suit delta boom yaw / cable	2
4	GA4522755	Delta boom dual spring mount	2
5	GA5001029	Nut M16 Nyloc ZP	2
6	GA5001043	Washer 16mm Flat SS HD	4
7	GA5000941	Bolt M16 x 60 GR8.8 ZP	2
8	GA5075230	Bow Shackle 13mm WLL 3.25T Black	1
9	GA5070430	Nut M22 Lock Nut ZP LH Thread	1

## Boom Cables

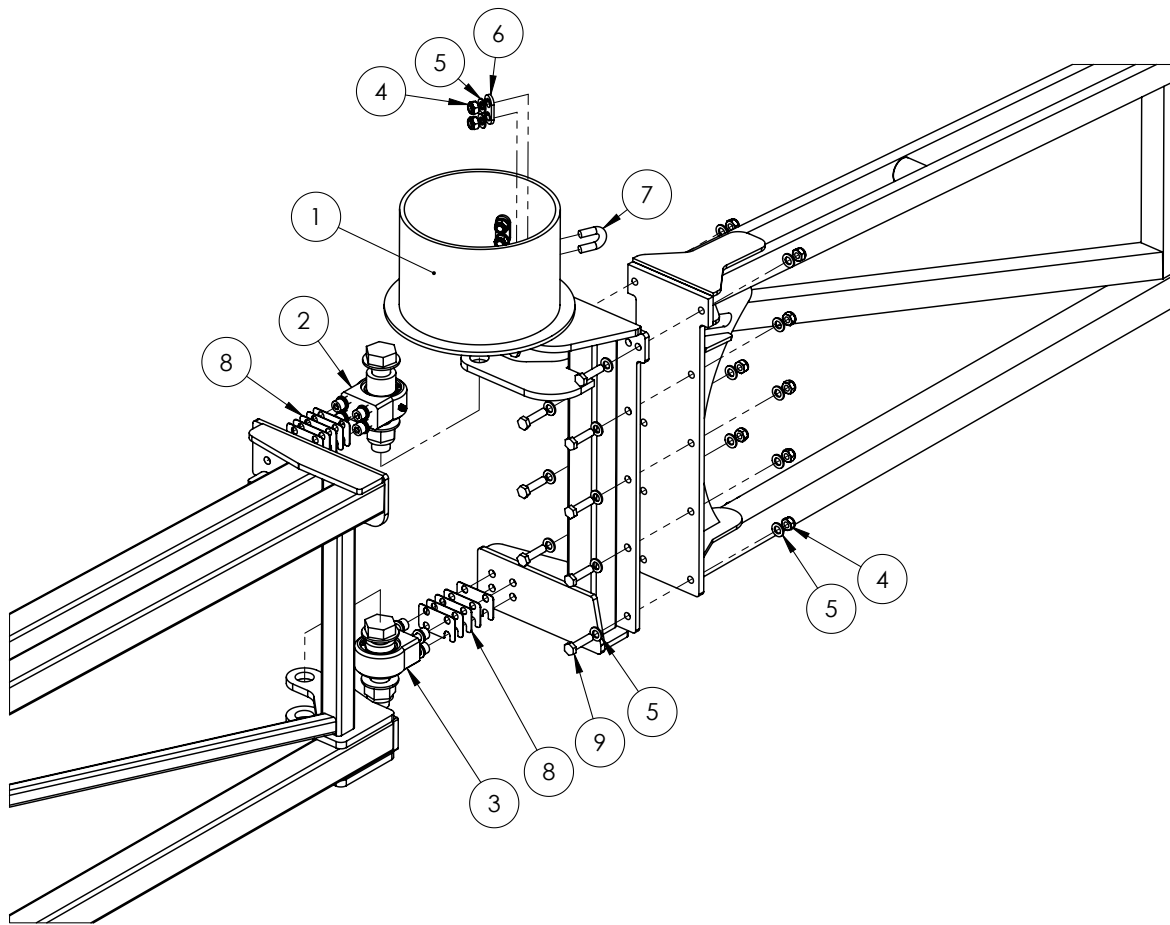
PART NUMBER	DESCRIPTION	QTY.
GA5000073	Cable, 10mm, Solid core, Heavy duty, Galvanised	See below.
	Suit steel inner 3426mm - Cable cut length (Eye to eye length 6520mm)	6170mm
	Suit steel inner 3917mm - Cable cut length (Eye to eye length 7500mm)	7150mm
	Suit steel inner 5001mm - Cable cut length (Eye to eye length 9300mm)	9650mm
GA5000215	Thimble, Cable, suit 11 - 12mm	4
GA5005391	Ferrule, Aluminium, 40 long x 4.5mm wall	4
GA5001965	Heat Shrink 25.4mm Black x 120mm long	4



**NOTE:** Cable cut lengths are 350 mm longer than eye to eye measurement.



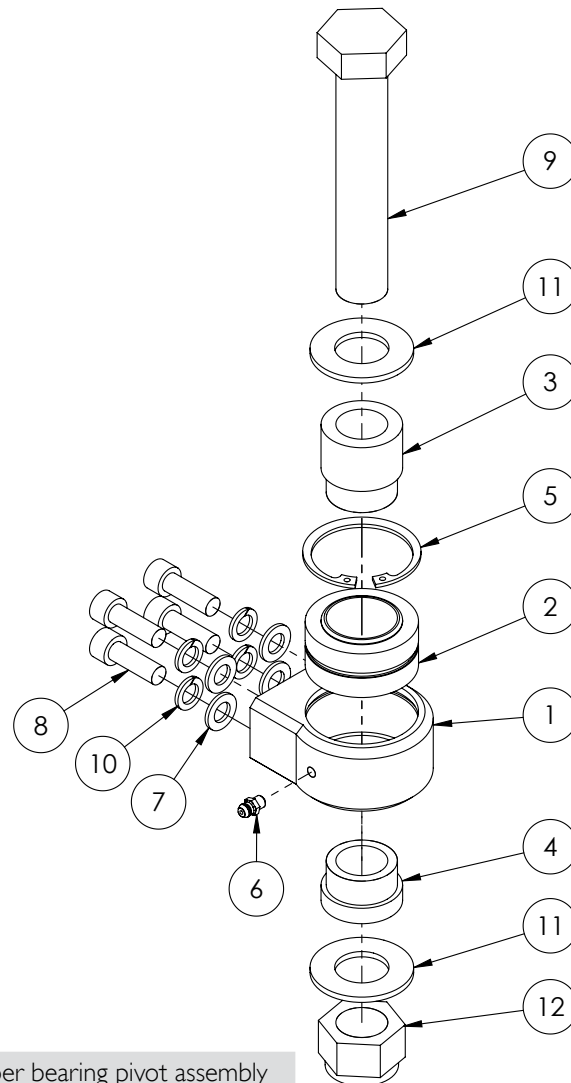
# Cable Drum



ITEM NO.	PART NUMBER	DESCRIPTION	QTY.
1	GA4657745	Delta boom drum hinge heavy LH	1
	GA4657740	Delta boom drum hinge heavy RH	1
	GA4657785	Delta Boom Cable Drum 12-21m LH (2016)	1
	GA4657780	Delta Boom Cable Drum 12-21m RH (2016)	1
2	GA4932346*	Upper Bearing Pivot	1
3	GA4932347*	Lower Bearing Pivot	1
4	GA5000141	Nut M10 Nyloc ZP	14
5	GA5000117	Washer 10mm Flat SS HD	24
6	F70266A	U bolt, Cable clamp	2
7	GA5018247	U Bolt, Round top, M10 x 30 long x 24 mm wide	2
8	F70771A	Shim, 1mm, Cable drum pivot	10
9	GA5006071	Bolt M10 x 40 ZP GR10.9	10

\* Sub-assembly on following pages

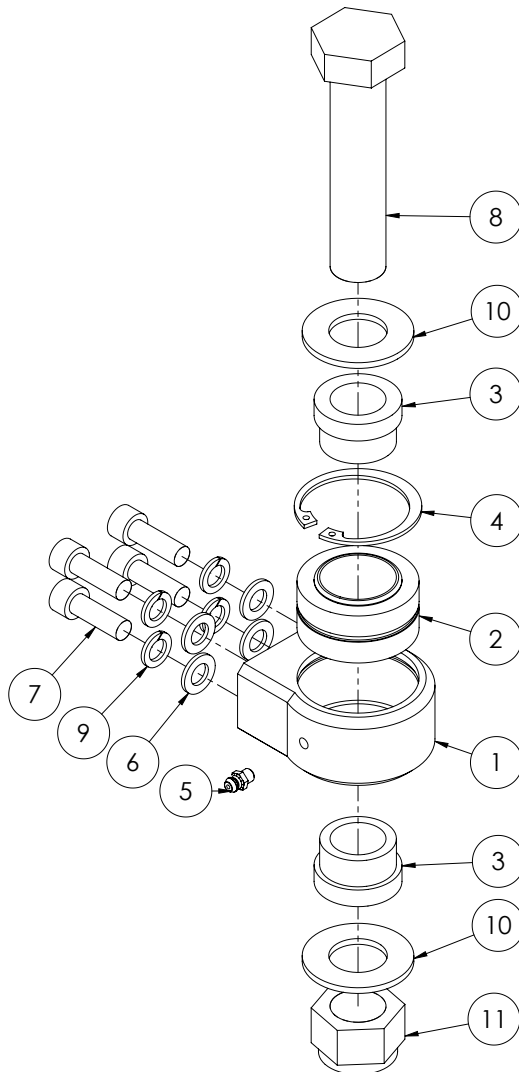
# Upper Bearing Pivot



GA4932340 Upper bearing pivot assembly

ITEM NO.	PART NUMBER	DESCRIPTION	QTY.
1	MACH0123	12-24m boom hinge block (bolt on)	1
2	GA5015659	Spherical bushing 1 3/8"	1
3	MACH0119	Short centre pivot bushes	1
4	DB-ADJ-02	Bush, Short, 40 OD x 25.5 ID x 23.75 mm long	1
5	GA5010573	55mm internal circlip	1
6	GA5012203	Grease nipple, Short, 1/4" UNF	1
7	GA5000117	Washer 10mm Flat SS HD	4
8	GA5006129	SHCS M10 x 30 GR12.9 ZP	4
9	GA5006041	Bolt 1" UNF 14TPI x 5 1/2" GR8 ZP	1
10	GA5000137	Washer 10mm Spring SS	4
11	GA5017659	Washer 1 Flat ZP HD (5mm thick)	2
12	GA5012445	Nut, 1" UNF, 14TPI, Nyloc, ZP	1

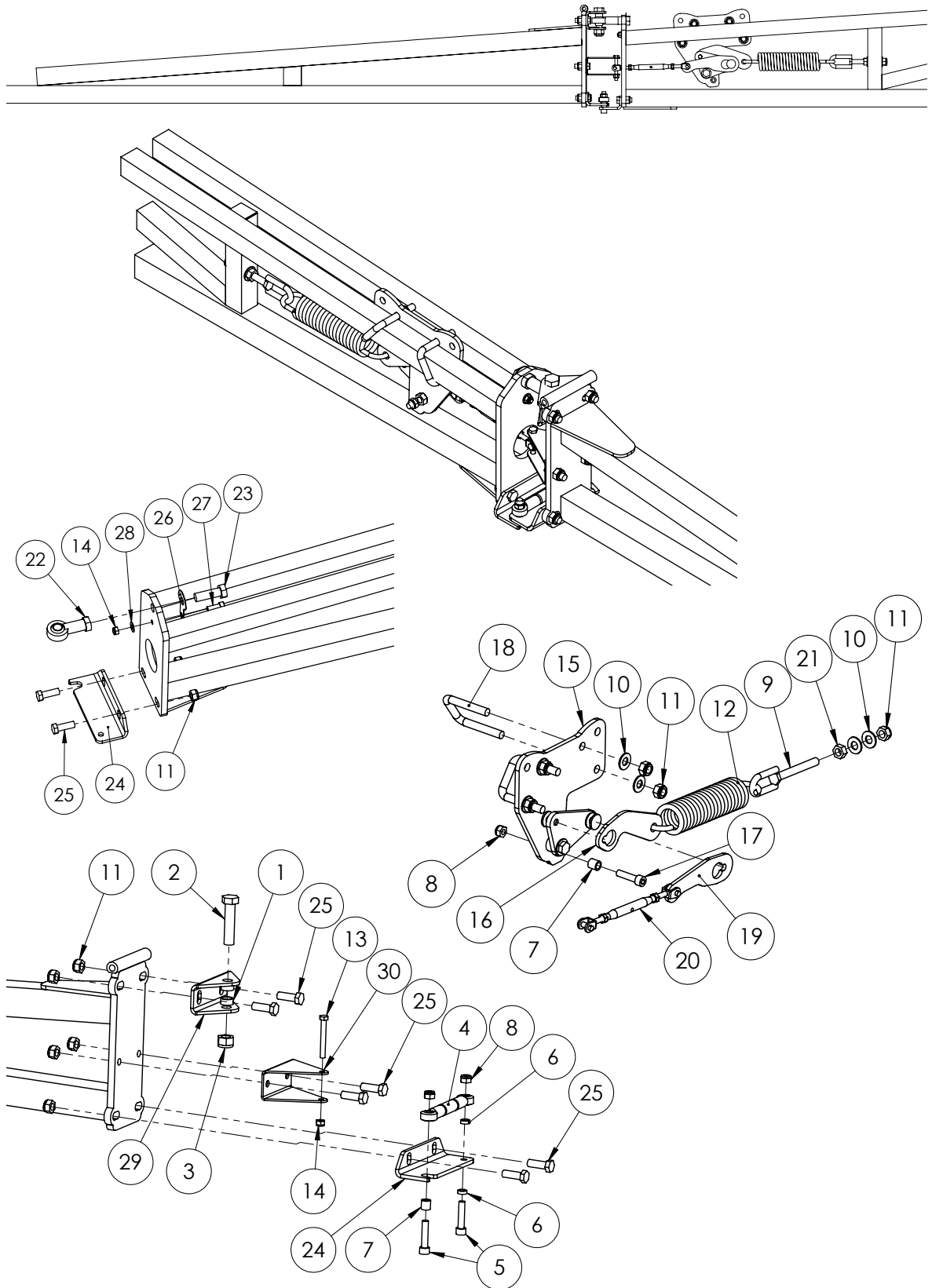
# Lower Bearing Pivot



GA4932345 Lower bearing pivot assembly

ITEM NO.	PART NUMBER	DESCRIPTION	QTY.
1	MACH0123	12-24m Boom hinge block (bolt on)	1
2	GA5015659	Spherical bushing 1 3/8"	1
3	DB-ADJ-02	Bush, Short, 40 OD x 25.5 ID x 23.75 mm long	2
4	GA5010573	55mm internal circlip	1
5	GA5012203	Grease nipple, Short, 1/4" UNF	1
6	GA5000117	Washer 10mm Flat SS HD	4
7	GA5006129	SHCS M10 x 30 GR12.9 ZP	4
8	GA5006039	Bolt 1" UNF 14 TPI x 4 1/2", ZP GR8	1
9	GA5000137	Washer 10mm Spring SS	4
10	GA5017659	Washer 1 Flat ZP HD (5mm thick)	2
11	GA5012445	Nut, 1" UNF, 14 TPI, Nyloc, ZP	1

# 3D Breakaway

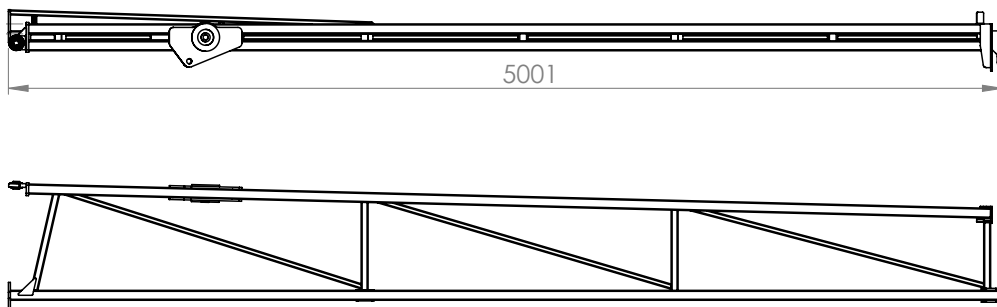
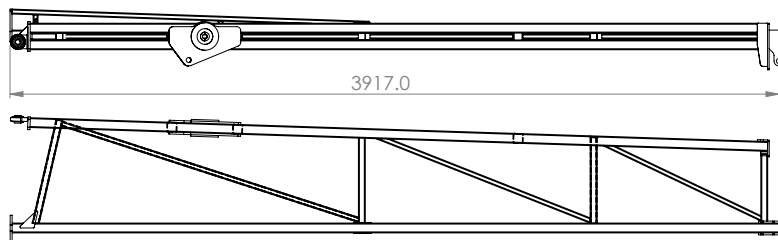
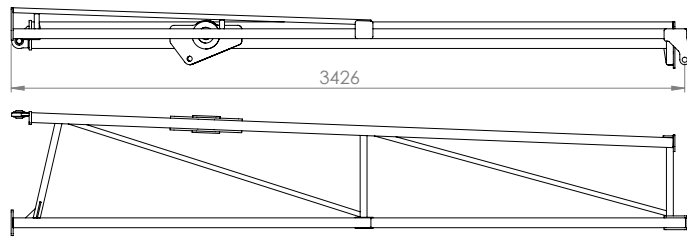


Continued over page

## 3D Breakaway

ITEM NO.	PART NUMBER	DESCRIPTION	QTY.
1	GA4552070	Crush Tube, 16.2 ID, 20.5 OD, 9.5mm long	2
2	GA5000949	Bolt M16 x 70 ZP GR8.8	1
3	GA5001029	Nut M16 Nyloc ZP	1
4	GA4902060-3	Rod end assembly, Breakaway MK3	1
5	GA5011183	SHCS M10 x 45 GR 12.9	2
6	GA4552080	Crush tube, 10.2 ID x 15 OD x 5mm long	2
7	GA4552075	Crush tube, 10.2 ID x 15 OD x 15mm long	2
8	GA5000141	Nut M10 Nyloc ZP	3
9	GA5008545	Eye bolt, Bolt M12 x 100, Eye 63mm x 18mm	1
10	GA5000577	Washer 12mm Flat SS HD	6
11	GA5012461	Nut M12 Nyloc ZP	13
12	GA5016605	Spring, tension, 51.5 OD x 260 Long x 8mm, Breakaway	1
13	GA5011489	Bolt M8 x 60 ZP GR8.8	1
14	GA5004917	Nut M8 Nyloc ZP	2
15	GA4656115	Boom breakaway locking mechanism	1
16	GA4532565	Plate, Breakaway spring, MK3	1
17	GA5006141	SHCS M10 x 40 ZP GR12.9	1
18	GA5011251	U Bolt M12 x 52mm x 80mm Square Top	2
19	GA4532590	Plate, Breakaway turnbuckle, MK3	1
20	GA5066930	Turnbuckle, female clevis, stainless steel, M8	1
21	GA5000559	Nut M12 Hex ZP	1
22	GA5014469	Rod end, Ball 16 ID, M16 female thread	1
23	GA5000931	Bolt M16 x 50 ZP GR8.8	1
24	GA4502105	Bracket, Lower hinge, Breakaway MK3	2
25	GA5000311	Set screw, M12 x 35, ZP GR 8.8	8
26	GA4522485	Plate, Rose end locking, Breakaway Mk3	1
27	GA5004713	Bolt M8 x 25 SS A2-70	1
28	GA5003643	Washer 8mm Flat SS HD	1
29	GA4502095	Bracket, Rod end clevis, Breakaway MK3	1
30	GA4502100	Bracket, Turnbuckle clevis, Breakaway MK3	1

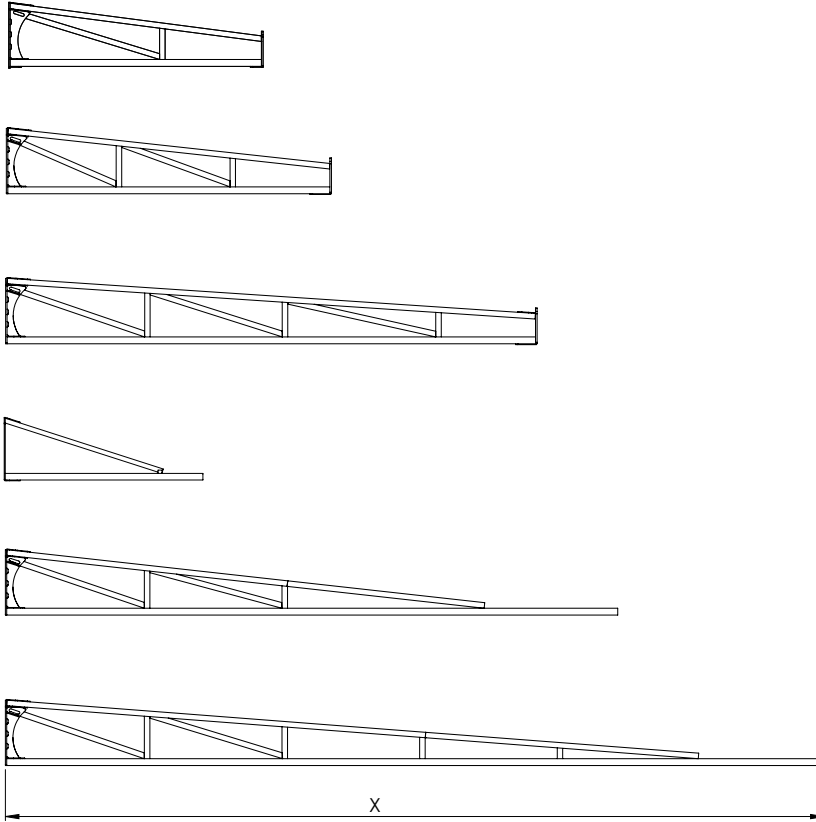
## Inner Wings - Steel



PART NUMBER	DESCRIPTION
GA4657730	Inner delta boom 12 - 18m heavy RH (3426mm long)
GA4657735	Inner delta boom 12 - 18m heavy LH (3426mm long)
GA4600405	Delta Boom Inner, LH, 4m suit 18m Booms (3917mm)
GA4600410	Delta Boom Inner, RH, 4m suit 18m Booms (3917mm)
GA4657720	Inner delta boom 21-24m heavy RH (5001mm long)
GA4657725	Inner delta boom 21-24m heavy LH (5001mm long)

**NOTE:** Pre-2016 18 metre breakaway equipped booms use inner wings: GA4657730, GA4657735.  
2016 and onward 18 metre breakaway equipped booms use inner wings: GA4600405, GA4600410.

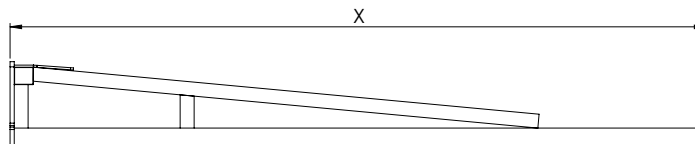
## Outer Wings - Steel & Aluminium



PART NUMBER	DESCRIPTION
GA4661630	Delta Boom 18m, Outer, Aluminium, St Arnaud suit breakaway (1837mm long)
GA4656056	Delta 21m aluminium outer wing suit breakaway (2362mm long)
GA4656055	Delta 24m aluminium outer wing suit breakaway (3862mm long)
GA4655920	Delta 12m steel outer wing (1500mm long)
GA4657770	Delta 18-21m aluminium outer wing (4450mm long)
GA4655935	Delta 24m aluminium outer wing (5950mm long)

**NOTE:** Pre-2016 18 metre breakaway equipped booms use outer wings: GA4656056.  
2016 and onward 18 metre breakaway equipped booms use outer wings: GA4661630.

## Aluminium Break Away Tip



PART NUMBER	DESCRIPTION
GA4656120	Boom breakaway end - 2000mm

