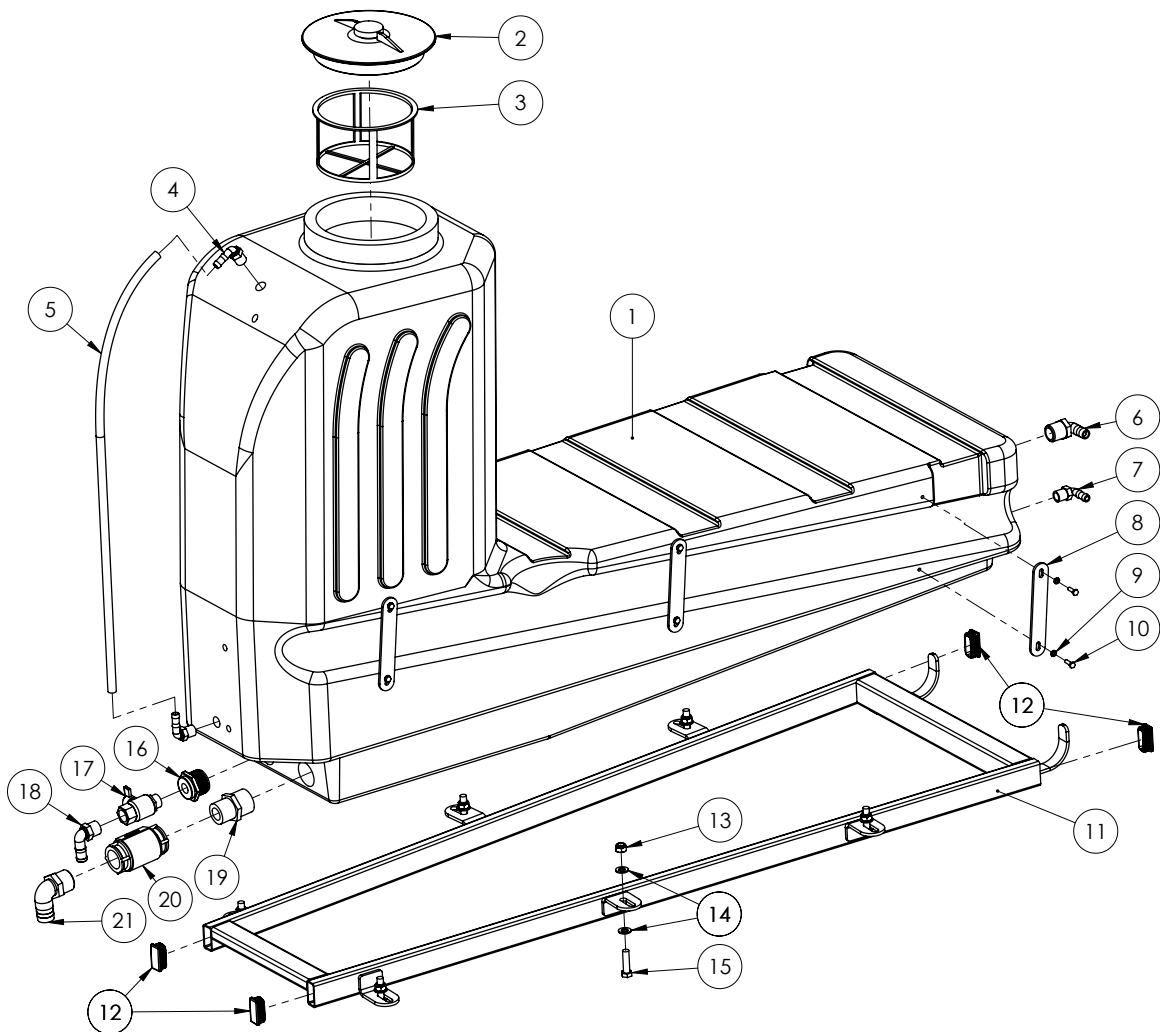


# Chapter 3

## FLUSH TANK

### 400L Flush Tank Assembly



ITEM NO.	PART NUMBER	DESCRIPTION	QTY.
1	GA5018367	Tank 400L underbelly	1
2	GA5076882	Lid, Tank, 255 diameter; With breather	1
3	GA5076713	Filter screen, Basket type, Diameter 203 x 120 mm deep	1
4	GA5077708	Hose barb, Elbow, 90 degree, 1/2 male thread x 1/2 hose, Banjo	2
5	GA2000209	Hose, Clear, 12mm, Sight tube - (cut to 940mm)	1
6	GA5077719	Hose barb, Elbow, 90 degree, 1 male thread x 3/4 hose, Banjo	1
7	GA5077708	Hose barb, Elbow, 90 degree, 1/2" male thread x 1/2" hose, Banjo	1

Continued over page

## 400L Flush Tank Assembly

ITEM NO.	PART NUMBER	DESCRIPTION	QTY.
8	F70681A	Hose retaining strap for belly tank	6
9	GA5004437	Washer 6mm Flat SS	12
10	GA5004065	Bolt M6 x 20 GR8.8 ZP	12
11	GA4654320	Rinse tank frame	1
12	GA5003733	End Cap, 50x25 RHS	4
13	GA5012461	Nut M12 Nyloc ZP	6
14	GA5000577	Washer 12mm Flat SS HD	12
15	GA5000327	Set Screw M12 x 45 ZP GR8.8	6
16	GA5078017	Reducing bush, 1 1/2" male thread x 3/4" female thread, Banjo	1
17	GA5018315	Valve, Ball, 20mm, 3/4" male, female, Black Butterfly handle, Brass	1
18	GA5077717	Hose barb, Elbow, 90 degree, 3/4" male thread x 3/4" hose, Banjo	1
19	GA5078093	Reducing nipple, 1 1/2" male thread x 1 1/4" male thread, Banjo	1
20	GA5017361	Valve nonreturn 1 1/4"	1
21	GA5077730	Hose barb, Elbow, 90 degree, 1 1/4" male thread x 1 1/4" hose, Banjo	1