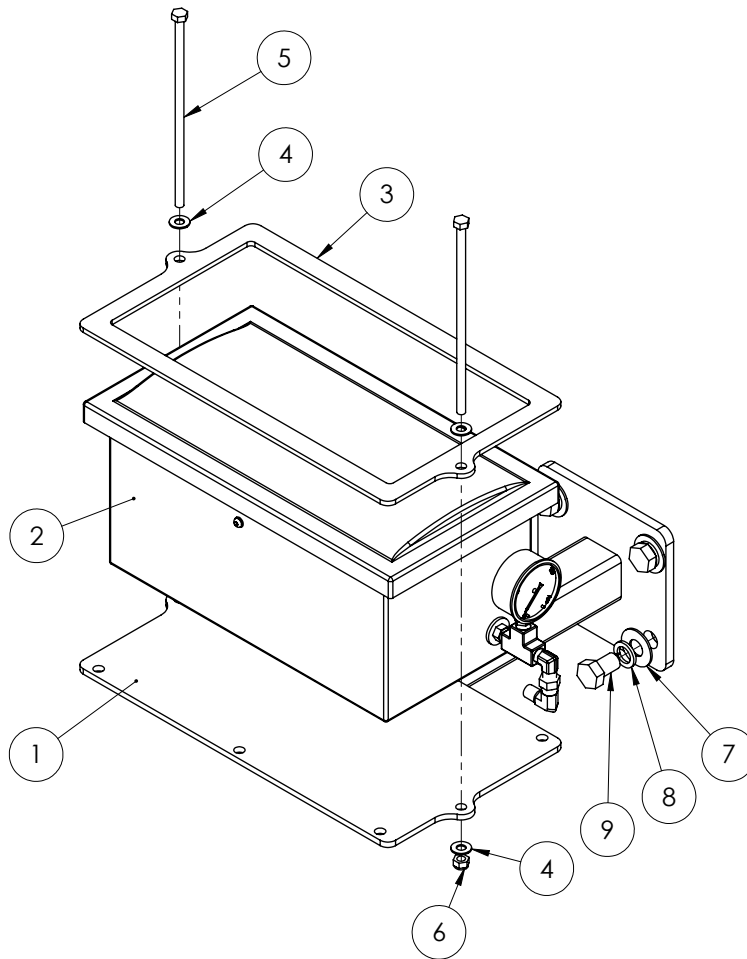


# Chapter 4

## RIGHT HAND POD

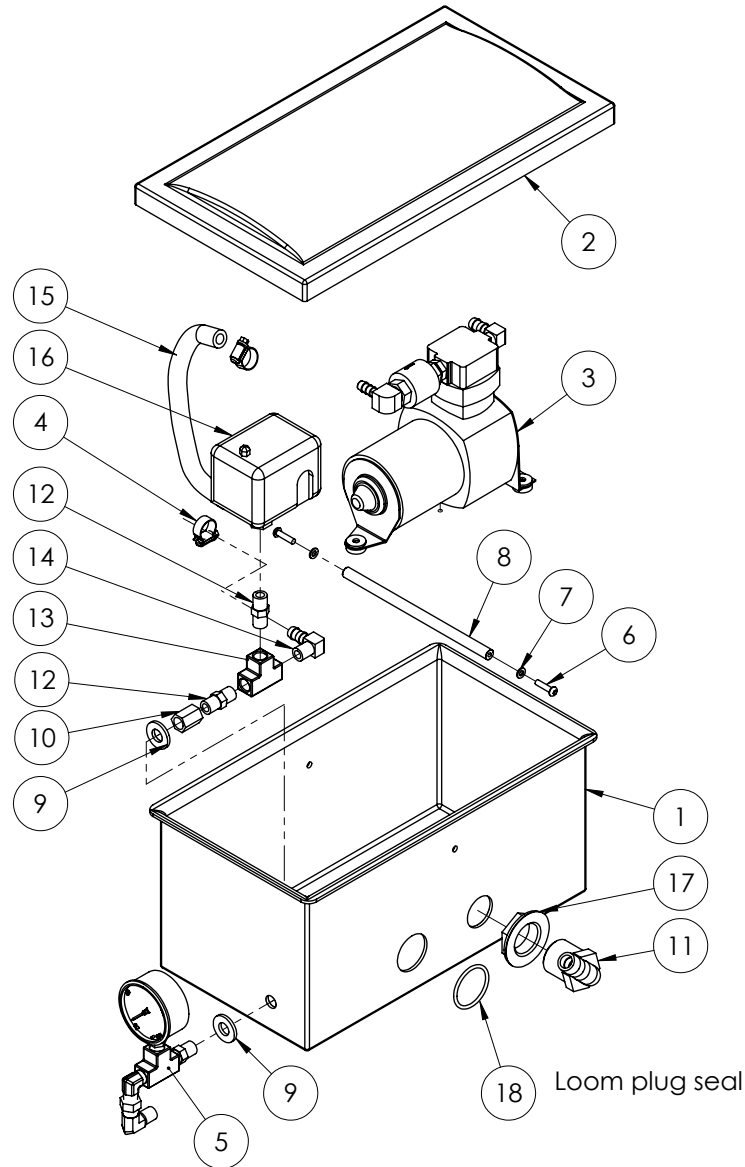
### Airbag Compressor Box Mounting



ITEM NO.	PART NUMBER	DESCRIPTION	QTY.
1	GA4657695	Airbag Compressor Mount	1
2	*	Airbag Compressor Box Assembly	1
3	F70254A	Top retaining plate for plastic foam/air box GA5066955	1
4	GA5003643	Washer 8mm Flat SS HD	4
5	MACH0041	Bolt hex M8 x 210 ZP	2
6	GA5004917	Nut M8 Nyloc ZP	2
7	GA5001043	Washer 16mm Flat SS HD	4
8	GA5000961	Washer 16mm Spring ZP	4
9	GA5000903	Bolt M16 x 25 ZP GR8.8	4

\* Sub-assembly on following pages

# Airbag Compressor Box Assembly



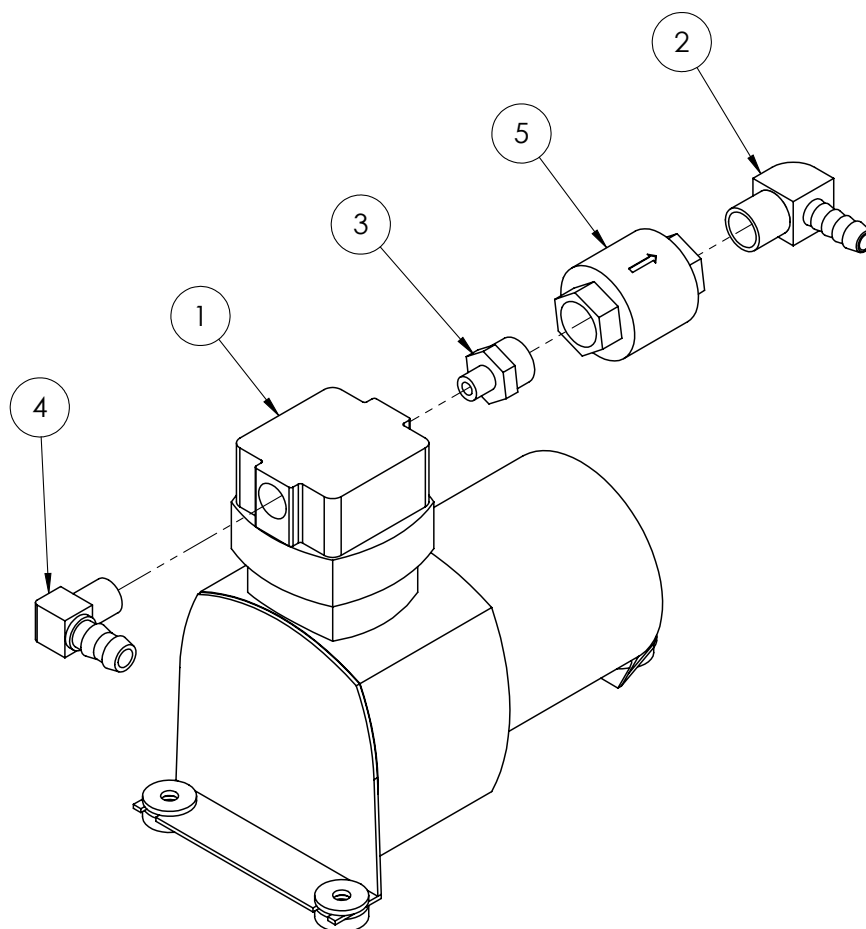
ITEM NO.	PART NUMBER	DESCRIPTION	QTY.
1	GA5066955	Foam Marker Box Bottom	1
2	GA5066955-2	Foam Marker Box Lid	1
3	*	Airbag Compressor Assembly	1
4	GA5000469	Hose clamp, 1/2", SS, 12-20/9W3	2
5	*	Gauge Assembly	1
6	GA5003581	SHCS M5 x 20 SS GR12.9	2
7	GA5003983	Washer 5mm Flat SS	2
8	GA4572130	Compressor Box Spacer Rod	1
9	GA5000577	Washer 12mm Flat SS HD	2
10	GA5066940	Socket, 1/4" female thread, Hex, Brass	1
11	GA5077719	Hose barb, Elbow, 90 degree, 1" male thread x 3/4" hose, Banjo	1
12	GA5050285	Nipple, 1/4" male thread x 1/4" male thread, Brass	2

\* Sub-assembly on following pages

## Airbag Compressor Box Assembly

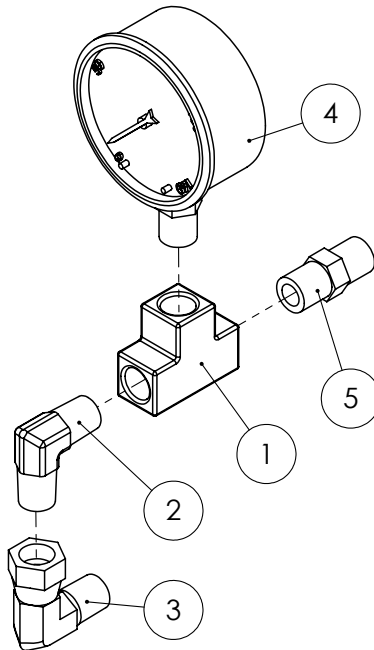
ITEM NO.	PART NUMBER	DESCRIPTION	QTY.
13	GA5048300	Tee, 1/4" female thread x 1/4" female thread x 1/4" female thread, Brass	1
14	GA5049290	Elbow 1/4" male thread x 3/8" barb brass	1
15	GA5051025	Hose, High Temperature Multi purpose, 3/8" ID 200psi RED	1
16	GA5016221	Switch differential Press. suit Air Bag	1
17	GA5076630	Back Nut 1"	1
18	GA5065820	O-ring, 38 x 3mm, Suits AS40 plumbing fittings	1

## Airbag Compressor Assembly



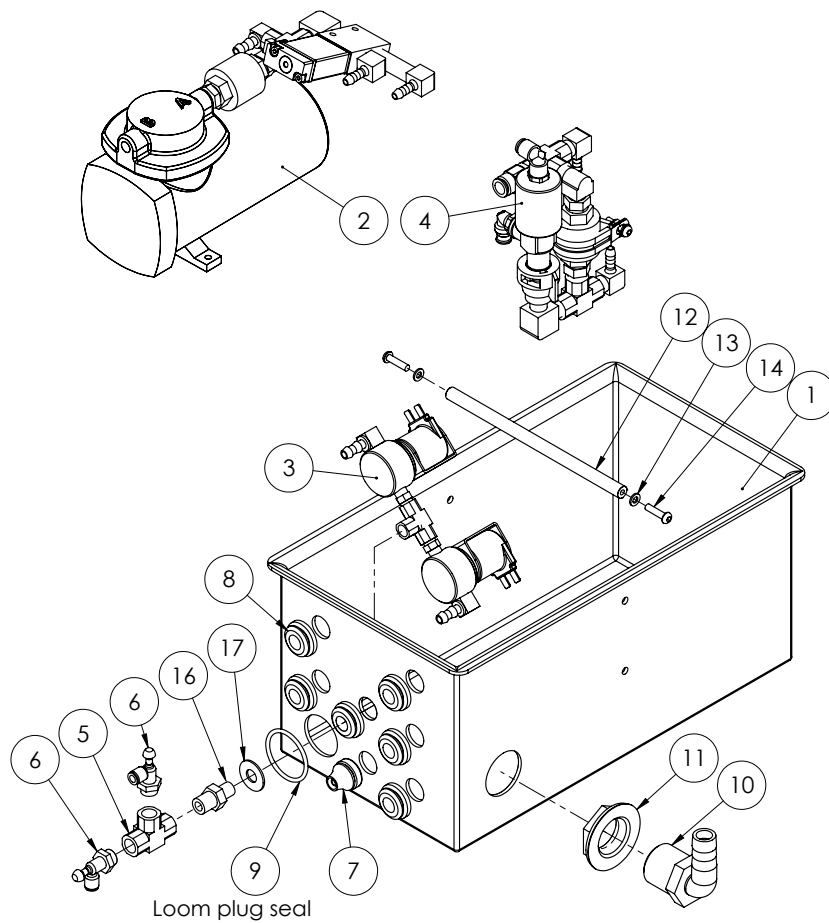
ITEM NO.	PART NUMBER	DESCRIPTION	QTY.
1	GA5018809	Air compressor, Suit airbag, 12V, 30.6L/min, 150psi maximum	1
2	GA5070730	Elbow Brass 3/8" x 3/8"	1
3	GA5020690	Reducing nipple, 1/8" male thread x 3/8" male thread, Brass	1
4	GA5049290	Elbow 1/4" male thread x 3/8" barb brass	1
5	GA5020010	Valve, Check, 3/8" female thread inlet & outlet, Brass	1

# Gauge Assembly



ITEM NO.	PART NUMBER	DESCRIPTION	QTY.
1	GA5048300	Tee, 1/4" female thread x 1/4" female thread x 1/4" female thread, Brass	1
2	GA3500258	Hydraulic coupling, Elbow, 90 degree, 1/4" BSPT male x 1/4" BSPT male	1
3	GA3500332	Hydraulic adapter, Elbow, 90 degree, 1/4" BSP male x 1/4" BSP female swivel	1
4	GA4948470	Gauge, Pressure, Small face, 160psi	1
5	GA5050285	Nipple, 1/4" male thread x 1/4" male thread, Brass	1

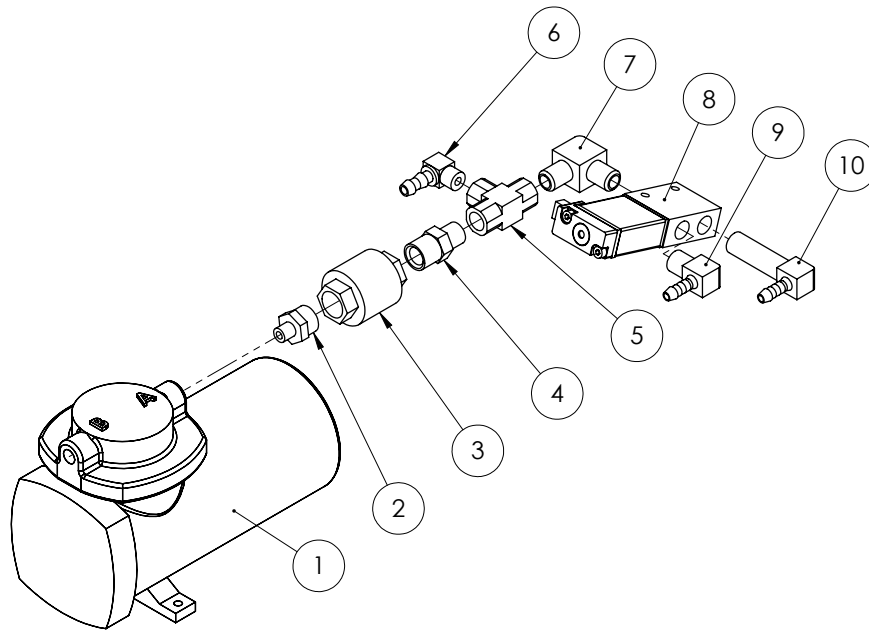
# Foam Marker Box



ITEM NO.	PART NUMBER	DESCRIPTION	QTY.
1	GA5066955-1	Foam marker box & lid	1
2	*	Foam Marker Air Compressor Assembly	1
3	*	Foam Marker Solenoid Assembly	1
4	*	Foam Marker Exhaust Valve Assembly	1
5	GA5048300	Tee, 1/4" female thread x 1/4" female thread x 1/4" female thread, Brass	1
6	GA5015643	Valve, Needle, 6mm push type inlet x 1/8" male thread inlet, Legris	2
7	GA5017703	Grommet grey 19 x 5mm	1
8	GA5012199	Neop Grommet 29mm OD	6
9	GA5065820	O-ring, 38 x 3mm, Suits AS40 plumbing fittings	1
10	GA5077719	Hose barb, Elbow, 90 degree, 1" male thread x 3/4" hose, Banjo	1
11	GA5076630	Back Nut 1"	1
12	GA4572130	Compressor Box Spacer Rod	1
13	GA5003983	Washer 5mm Flat SS	4
14	GA5003581	SHCS M5 x 20 SS GR12.9	3
15	GA5003975	Nut M5 Nyloc SS	1
16	GA5013809	Reducing Nipple 1/4" x 1/8"	1
17	GA5002565	Washer, 3/8" ID x 1" OD, Flat SS	1

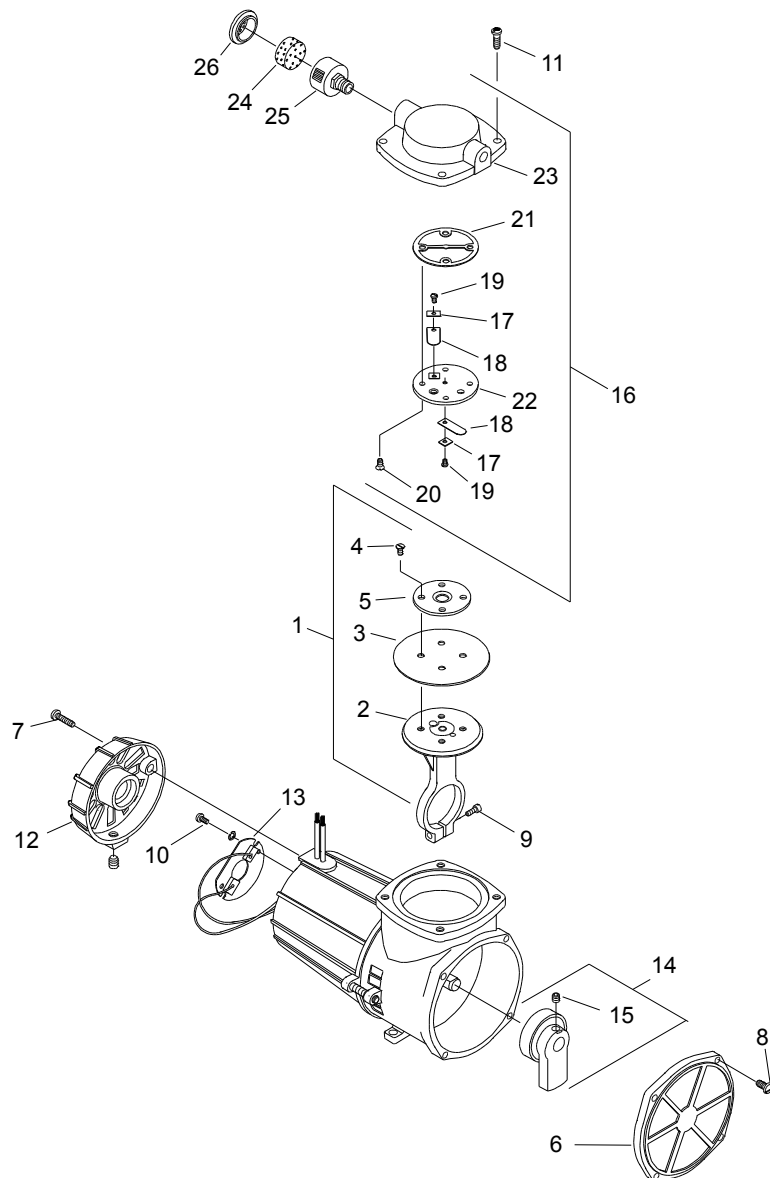
\* Sub-assembly on following pages

## Foam Marker Air Compressor Fittings



ITEM NO.	PART NUMBER	DESCRIPTION	QTY.
1	GA5018806	Air compressor, Suit foam marker, 12V 39.6L/min 35psi maximum pressure	2
2	GA5020690	Reducing nipple, 1/8" male thread x 3/8" male thread, Brass	1
3	GA5020010	Valve, Check, 3/8" female thread inlet & outlet, Brass	1
4	GA5045085	Reducing nipple, 3/8" male thread x 1/4" male thread, Brass	1
5	GA5048300	Tee, 1/4" female thread x 1/4" female thread x 1/4" female thread, Brass	1
6	GA5066950	Barb elbow brass 1/4" x 1/8"	1
7	GA5008343	Elbow male thread 1/4" x 1/4"	1
8	GA5002959	Solenoid valve, Electric over air; MAC	1
9	GA5048340	Elbow, 90 degree, 1/4" male thread x 1/4" hose, Brass	1
10	GA5008347	Elbow male barb 1/4" x 1/4" Long 40 mm	1

# Foam Marker Air Compressor Assembly



ITEM NO.	PART NUMBER	DESCRIPTION	QTY.
-	GA5018806	Air compressor; Suit foam marker; 12V 39.6L/min 35psi maximum pressure	-
-	GA4948635	Service Kit, Suit foam marker compressor I07CDC20, Includes diaphragm, gasket, valves, screws & air filter	-
1	607180	Connecting Rod Assembly	1
2	607139	Connecting Rod	1
3	GA5009165	Diaphragm	1
4	GA5007339	Screw - Hold Down Plate	4
5	GA5013073	Hold Down Plate	1
6	614608	Front Cover	1
7	625260	Screw - Motor End Cap	2
8	625660	Screw - Front Cover	4

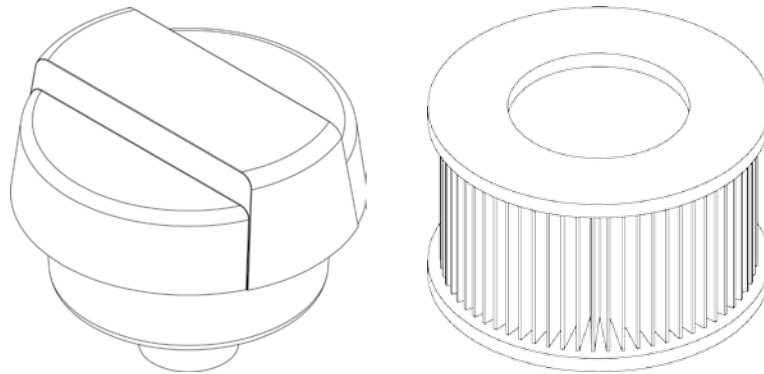
Continued over page

## Foam Marker Air Compressor Assembly

ITEM NO.	PART NUMBER	DESCRIPTION	QTY.
9	625114	Conn Rod. Screw	1
10	625476	Screw - Brush Card	2
11	625444	Screw - Head	4
12	620352	Motor End Cap Assembly	1
13	GA5006445	Brush kit Thomas compressor	1
14	645373	.18 Stroke Eccentric & Bearing Assy	1
	667611	.20 Stroke Eccentric & Bearing Assy	1
15	625244	Set Screw - Eccentric	1
16	GA5016651	Head & Valve Plate Assembly	1
17	GA5017351	Valve Keeper	2
18	GA5008789	Valve Flapper - Intake & Exhaust	2
19	GA5007337	Screw - Flapper	2
20	GA5014803	Screw - Valve Plate	4
21	GA5007335	Gasket - Head	1
22	654129	Valve Plate	1
23	660131-504	Head	1
24	641034	Filter Foam	1
25	660763	Filter Body	1
26	660767	Filter Body Cap	1

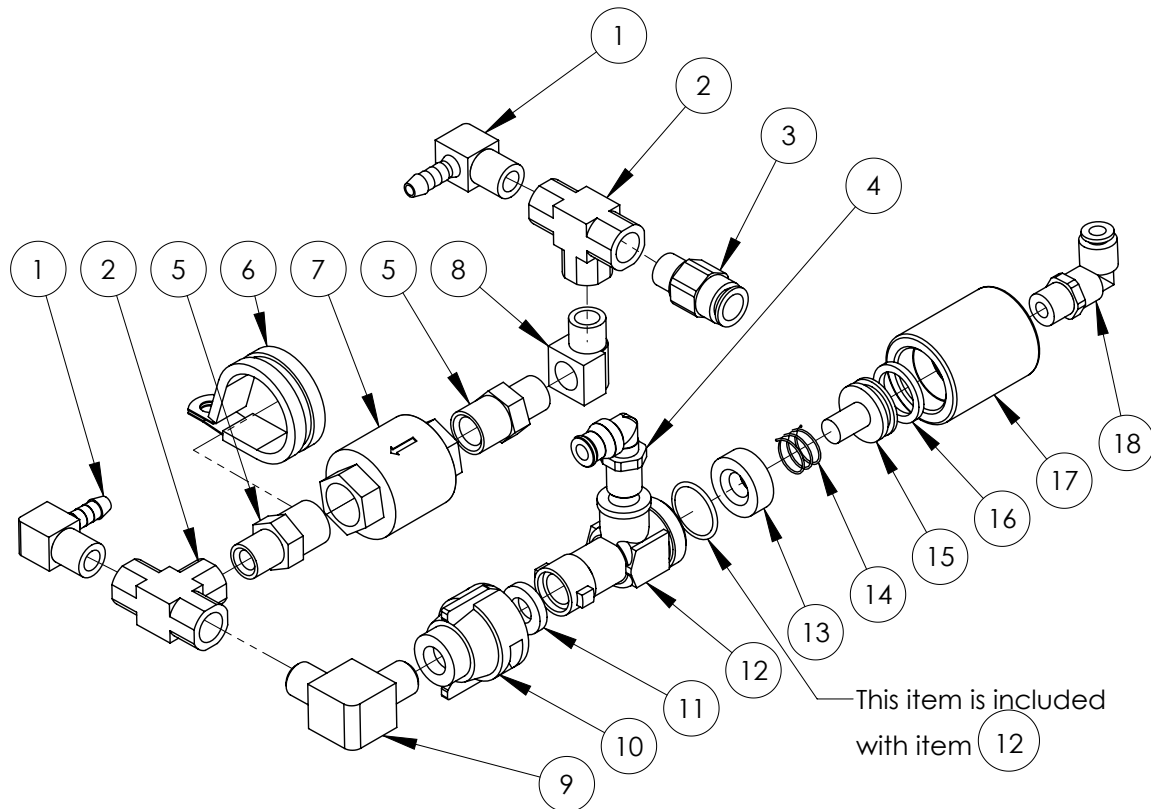
### AIR COMPRESSOR FILTER PARTS

PART NUMBER	DESCRIPTION
GA5005259	Air filter; 1" BSP male thread
GA5049460	Filter element, For filter body GA5005259, Suit foam marker compressor





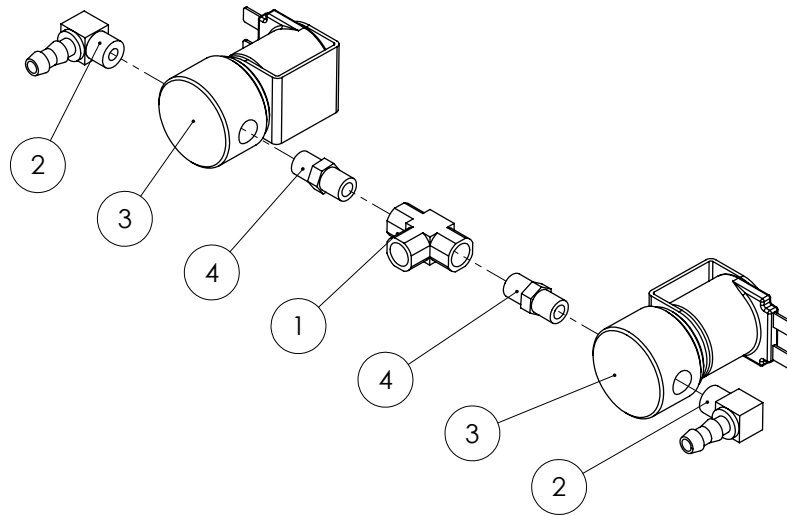
# Foam Marker Exhaust Valve Assembly



GA4912005 Complete Valve Assembly

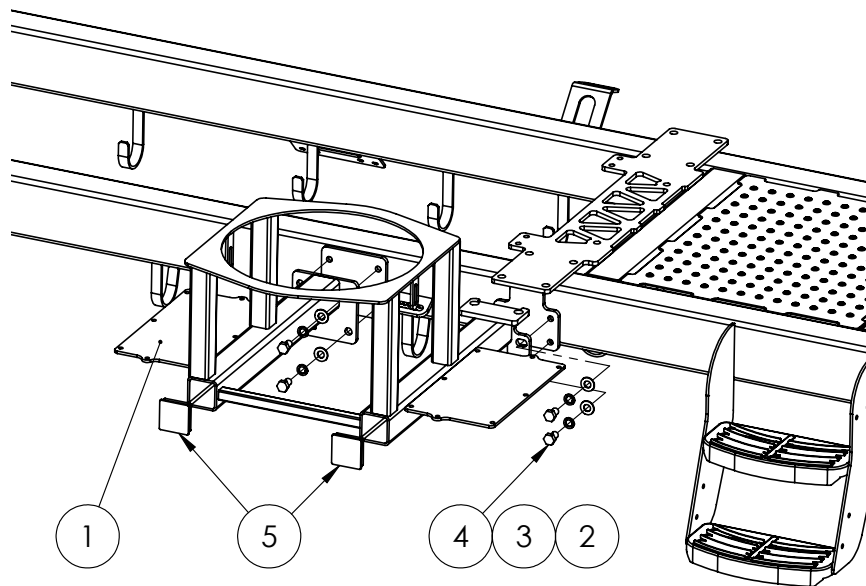
ITEM NO.	PART NUMBER	DESCRIPTION	QTY.
1	GA5048340	Elbow, 90 degree, 1/4" male thread x 1/4" hose, Brass	2
2	GA5048300	Tee, 1/4" female thread x 1/4" female thread x 1/4" female thread, Brass	2
3	GA5045140	Pneumatic fitting, Nipple, 1/4" BSPT male x 6mm push type, Brass	1
4	GA5016233	Pneumatic fitting, Elbow, 90 degree, 1/4" BSP male x 6mm push type, Metal	1
5	GA5045085	Reducing nipple, 3/8" male thread x 1/4" male thread, Brass	2
6	GA5048090	Clamp, P, 35mm	1
7	GA5020010	Valve, Check, 3/8" female thread inlet & outlet, Brass	1
8	GA5048305	Elbow, 90 degree, 1/4" BSP male x 1/4" BSP female, Brass	1
9	GA5008343	Elbow male thread 1/4" X 1/4"	1
10	GA5077983	Nozzle cap & washer, Black, Nylon	1
11	GA5055245	Washer, Nozzle Cap Seal, Rubber, 19mm OD x 9mm ID, Suit Tee Jet Nozzle, Replaces CPI 9438-EPR	1
12	GA5077990	Nozzle body, Single, 1/4" NPT female inlet	1
13	GA4572010	Air Chemsaver Washer	1
14	GA5045090	Spring, foam marker 14mm OD x 14mm long, 0.7mm SS	1
15	GA4572005	Air Chemsaver Piston	1
16	GA5077548	Cup Seal (Foam Marker Exhaust Valve)	1
17	GA4572000	Air Chemsaver Body	1
18	GA5045145	Elbow, swivel, push in 6mm, Brass 1/8" BSPT	1

## Foam Marker Solenoid Assembly



ITEM NO.	PART NUMBER	DESCRIPTION	QTY.
1	GA5016559	Tee female brass 1/8"	1
2	GA5066950	Barb elbow brass 1/4" x 1/8"	2
3	GA5018395	Solenoid valve, Suit foam marker	2
4	GA5066935	Nipple brass 1/8" x 1/8"	2

## Foam Marker Pod On Chassis



ITEM NO.	PART NUMBER	DESCRIPTION	QTY.
1	GA4654413	Foam frame EF special RH	1
2	GA5001009	Washer 16mm Flat ZP Heavy Duty	8
3	GA5000961	Washer 16mm Spring ZP	8
4	GA5000903	Bolt M16 x 25 ZP GR8.8	8
5	GA5052345	End cap, Insert, 75 x 75 mm, black, plastic	2