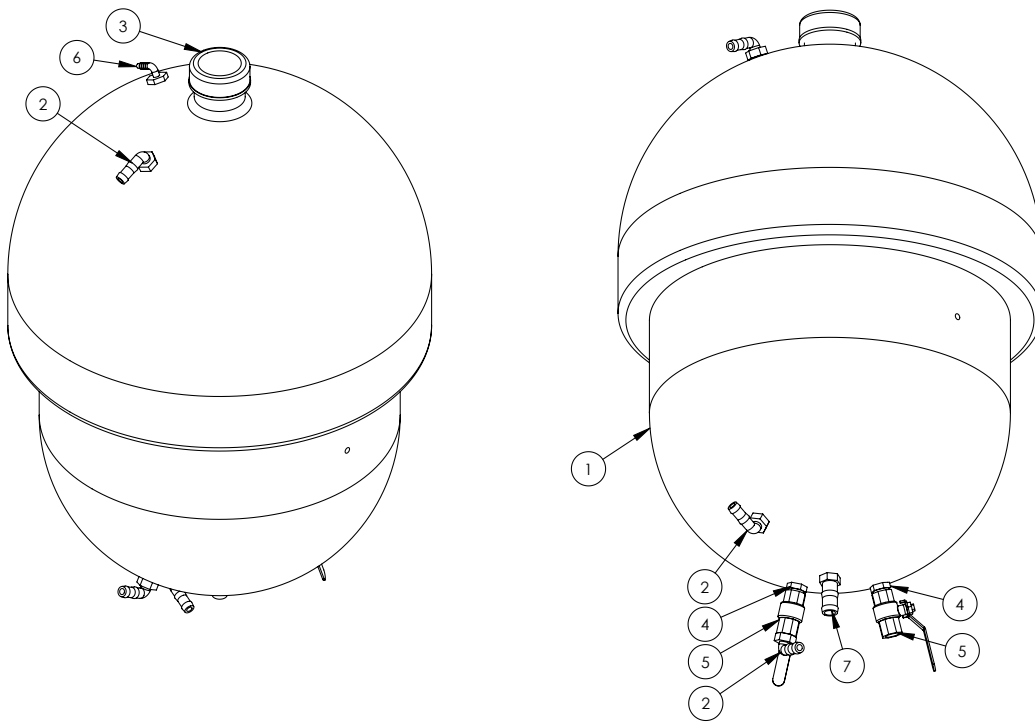


Chapter 9

FOAM MARKER

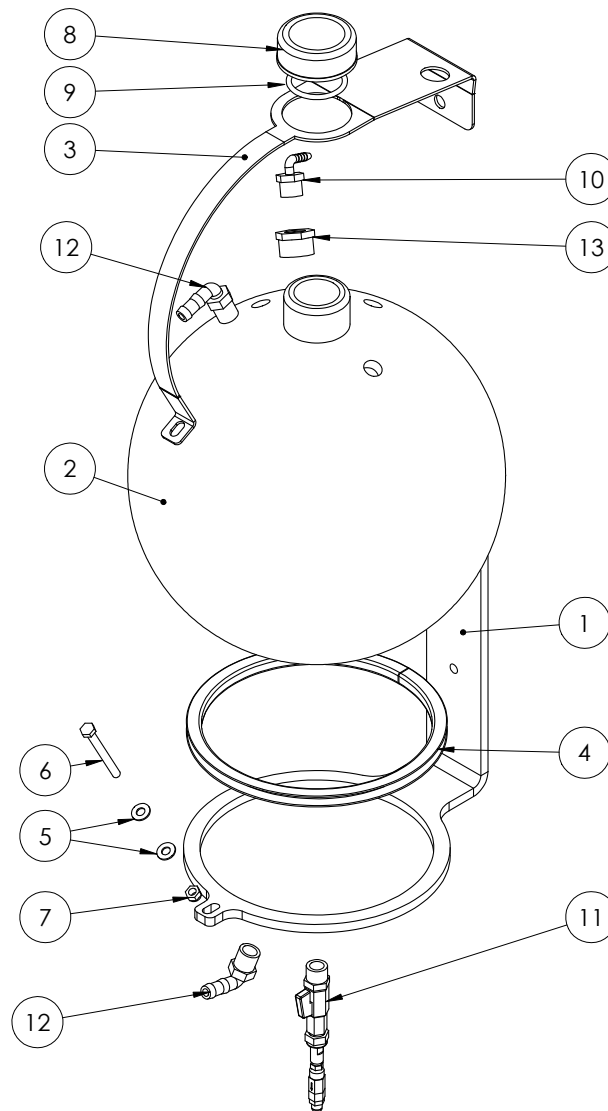
Foam Marker Tank 100L



| ITEM NO. | PART NUMBER | DESCRIPTION | QTY. |
|----------|-------------|------------------------------------------------------------------|------|
| 1 | GA5018487 | Tank, 100L, Exacta foam marker | 1 |
| 2 | GA5077708 | Hose barb, Elbow, 90 degree, 1/2" male thread x 1/2" hose | 3 |
| 3 | GA5009157 | Cap, Suit Exacta foam tank, O-ring not included | 1 |
| 4 | GA5048310 | Nipple, 1/2" thread x 1/2" thread, Brass | 2 |
| 5 | GA5018309 | Valve, Ball, 12mm female thread inlet / outlet, Lever handle, SS | 2 |
| 6 | GA5077656 | Hose barb, Elbow, 90 degree, 1/2" male thread x 1/4" hose | 1 |
| 7 | GA5077707 | Hose barb, 1/2" male thread x 3/4" hose, Banjo | 1 |
| - | GA5009187 | O-ring, 60 x 5.5mm, suits Exacta tank cap | 1 |

Note: See Chapter 4 'Right Hand Pod' chapter foam marker compressor details.

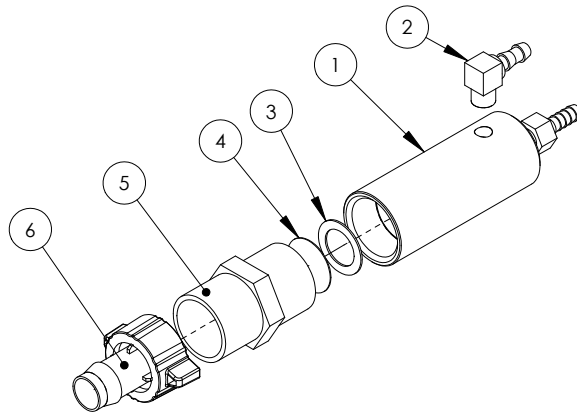
Foam Concentrate Bottle



| ITEM NO. | PART NUMBER | DESCRIPTION | QTY. |
|----------|-------------|-----------------------------------------------------------|------|
| 1 | F70609A | Direct injection bottle mount plate 10mm FMS | 1 |
| 2 | GA4901038 | Tank 25 litre round ball suit foam | 1 |
| 3 | F70622A | Direct inject bottle strap | 1 |
| 4 | GA5010085 | Hollow section rectangular rubber | 1 |
| 5 | GA5003643 | Washer 8mm Flat SS HD | 2 |
| 6 | GA5004749 | Bolt M8 x 80 ZP GR8.8 | 1 |
| 7 | GA5004917 | Nut M8 Nyloc ZP | 1 |
| 8 | GA5075400 | Cap, Suit Exacta foam tank, O-ring not included | 1 |
| 9 | GA5009187 | O-ring, 60 x 5.5mm, suits Exacta tank cap | 1 |
| 10 | GA5077656 | Hose barb, Elbow, 90 degree, 1/2" male thread x 1/4" hose | 1 |
| 11 | * | Filter & Ball Valve | 1 |
| 12 | GA5077708 | Hose barb, Elbow, 90 degree, 1/2" male thread x 1/2" hose | 2 |
| 13 | GA5078013 | Reducer bush, 1" male thread x 1/2" female thread | 1 |

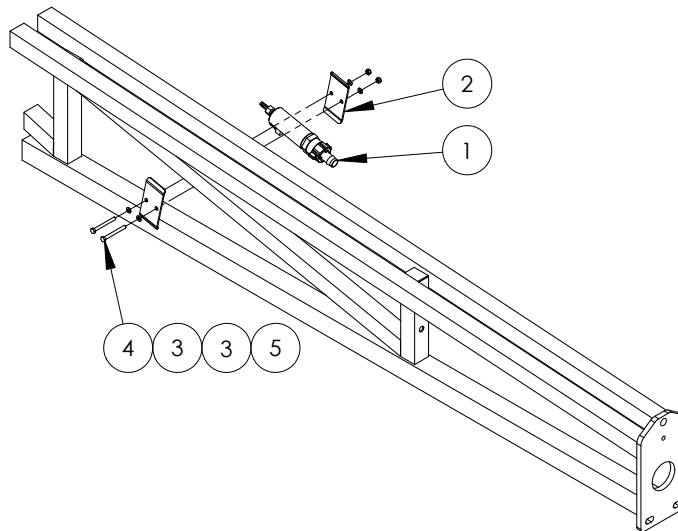
* Sub-assembly on following pages

Foam Generator



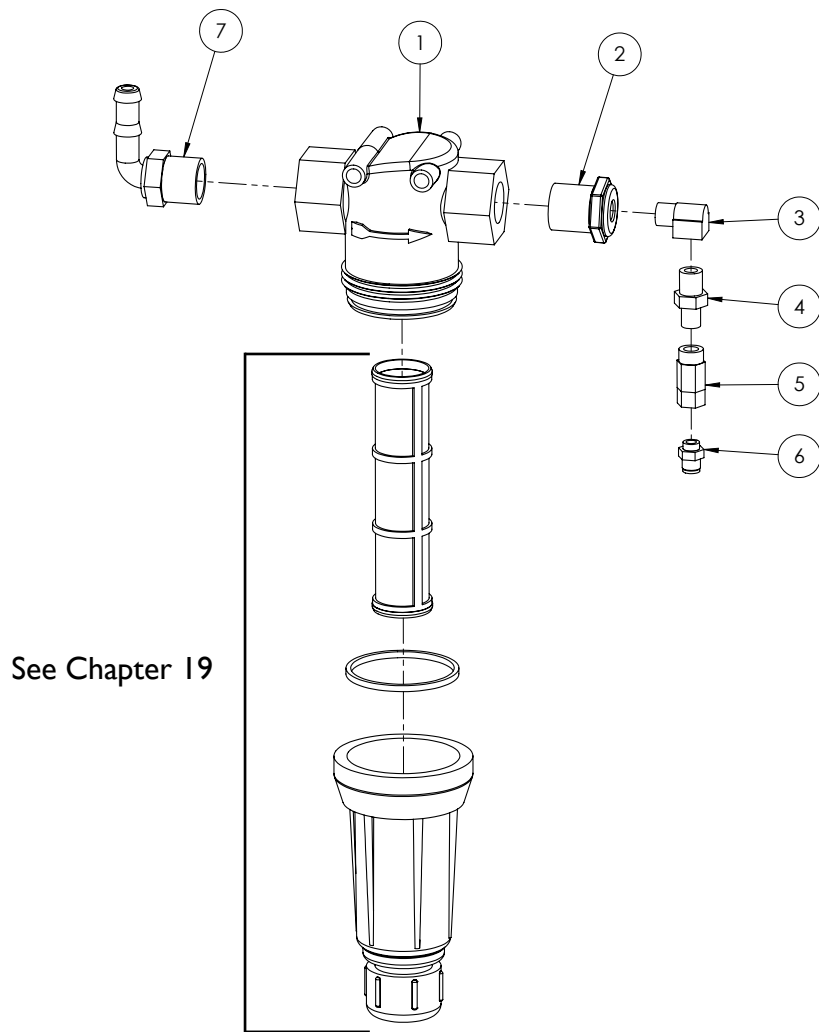
| ITEM NO. | PART NUMBER | DESCRIPTION | QTY. |
|----------|-------------|---------------------------------------------------------------------------|------|
| 1 | FGEN | Foam Generator nozzle sub assembly (3 parts nozzle & body & lock nut) | 1 |
| 2 | GA5066950 | Barb elbow brass 1/4" x 1/8" | 1 |
| 3 | GA5002497 | Washer, Flat, 3/4" x 1 1/8", Copper | 1 |
| 4 | GA4948390 | Filter screen, circle, Suit foam generator; SS, 200 mesh | 1 |
| 5 | GA5077914 | Nipple, Short, 1" male thread x 1" male thread | 1 |
| 6 | GA5007621 | Hose barb, Straight, 1" BSP female thread with grip tabs x 19mm hose tail | 1 |

Foam Generator Mounting



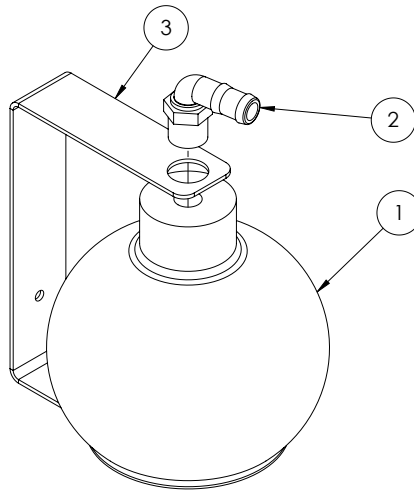
| ITEM NO. | PART NUMBER | DESCRIPTION | QTY. |
|----------|-------------|--------------------------------------|------|
| 1 | FGEN-COM | Foam marker; Foam generator assembly | 1 |
| 2 | F70239A | Bracket, Foam generator clamp | 2 |
| 3 | GA5004437 | Washer 6mm Flat SS | 4 |
| 4 | GA5004097 | Bolt M6 x 60 ZP GR8.8 | 2 |
| 5 | GA5048115 | Nut M6 Nyloc ZP | 2 |

Foam Marker Filter



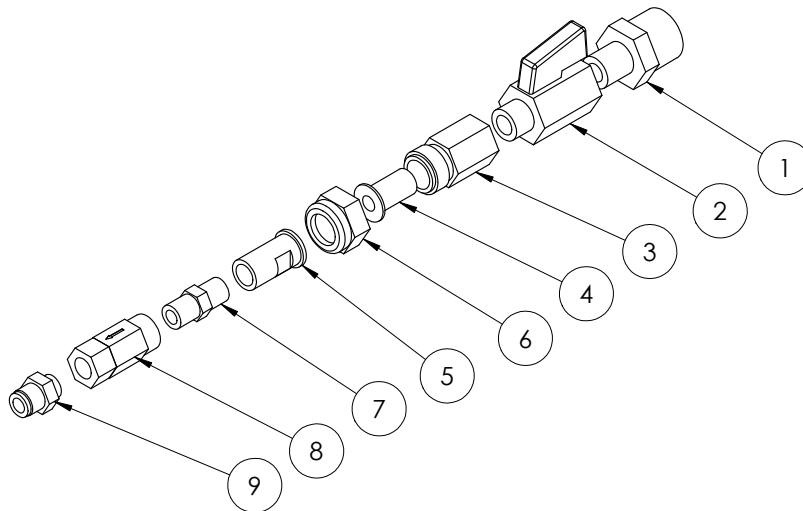
| ITEM NO. | PART NUMBER | DESCRIPTION | QTY. |
|----------|-------------|-------------------------------------------------------------------|------|
| 1 | GA5077270 | Filter, 3/4" female thread inlet / outlet, Orange 200 mesh screen | 1 |
| 2 | GA5078008 | Reducing bush, 3/4" male thread x 1/4" female thread | 1 |
| 3 | GA5048305 | Elbow, 90 degree, 1/4" BSP male x 1/4" BSP female, Brass | 1 |
| 4 | GA5013809 | Reducing Nipple 1/4" x 1/8" | 1 |
| 5 | GA5018147 | Check valve inline 1/8" NPT Female | 1 |
| 6 | GA5050210 | Pneumatic fitting, Nipple, 1/8" BSPP male x 6mm push type | 1 |
| 7 | GA5077710 | Hose barb, Elbow, 90 degree, 3/4" male thread x 1/2" hose | 1 |

Foam Accumulator Assembly



| ITEM NO. | PART NUMBER | DESCRIPTION | QTY. |
|----------|-------------|-----------------------------------------------------------|------|
| 1 | GA5008491 | Accumulator, Foam marker, Exacta, Green | 1 |
| 2 | GA5077717 | Hose barb, Elbow, 90 degree, 3/4" male thread x 3/4" hose | 1 |
| 3 | F70841A | Bracket, Foam accumulator mounting, Suit 50 x 50 RHS | 1 |

Filter & Ball Valve - Direct Foam Injection



| ITEM NO. | PART NUMBER | DESCRIPTION | QTY. |
|----------|-------------|-------------------------------------------------------------------------|------|
| 1 | GA5012259 | Reducing nipple, 1/2" male thread x 1/4" male thread, Brass | 1 |
| 2 | GA5018323 | Valve, Ball, 1/4" male / female thread inlet / outlet, SS, Lever handle | 1 |
| 3 | GA5077369 | Nozzle body, Single, 1/4" male NPT inlet, Brass | 1 |
| 4 | GA5077157 | Filter screen, Nozzle tip, Orange 200 mesh, Polypropylene & SS | 1 |
| 5 | GA5077543 | Adapter, Brass | 1 |
| 6 | GA5077372 | Nozzle cap, Brass | 1 |
| 7 | GA5066935 | Nipple brass 1/8" x 1/8" | 1 |
| 8 | GA5018147 | Check valve inline 1/8" NPT Female | 1 |
| 9 | GA5050210 | Pneumatic fitting, Nipple, 1/8" BSPP male x 6mm push type | 1 |

