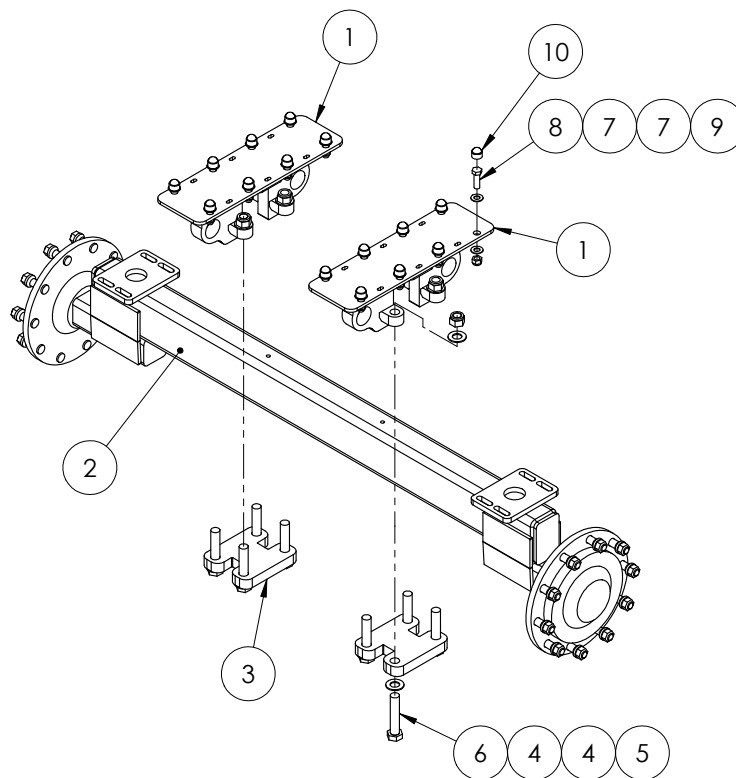


Chapter 12

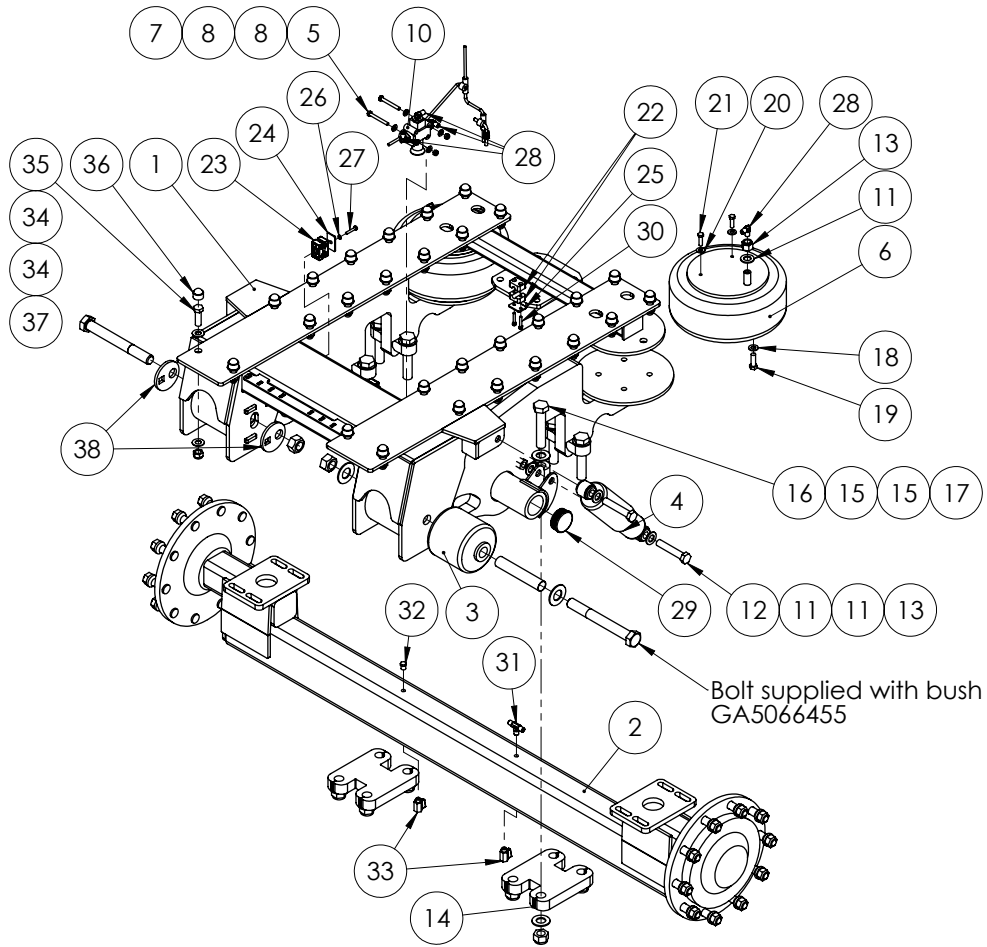
WHEELS, AXLES & MUDGUARDS

Rigid Axle



| ITEM NO. | PART NUMBER | DESCRIPTION | QTY. |
|----------|-------------|------------------------------------------------------|------|
| 1 | GA4652986 | Axle carrier suit EF chassis | 2 |
| 2 | GA4656921 | Axle EF Rigid 2000mm 10 Stud | 1 |
| | GA4656926 | Axle EF Rigid 2050mm 10 Stud | |
| | GA4656931 | Axle EF Rigid 2100mm 10 Stud | |
| | GA4656936 | Axle EF Rigid 3000mm 10 Stud (with stiffener plates) | |
| 3 | GA4632050 | Suspension narrow retainer (32mm FMS) | 2 |
| 4 | GA5017659 | Washer, 1", Flat, ZP, Heavy duty (5mm thick) | 16 |
| 5 | GA5012439 | Nut, Nyloc, 1" UNC, ZP | 8 |
| 6 | GA5006031 | Bolt, 1"UNC x 5" ZP GR8 | 8 |
| 7 | GA5001043 | Washer 16mm Flat SS HD | 32 |
| 8 | GA5000931 | Bolt M16 x 50 ZP GR8.8 | 16 |
| 9 | GA5001029 | Nut M16 Nyloc ZP | 16 |
| 10 | GA5075080 | Hex nut protection cap suit M16, Black | 16 |

Air Bag Axle



| ITEM NO. | PART NUMBER | DESCRIPTION | QTY. |
|----------|-------------|-------------------------------------------------------------------------------------|------|
| 1 | GA4652810 | Axle airbag frame EF 1.8m to 3m | 1 |
| | GA4656920 | Axle EF Airbag 2000mm 10 Stud | |
| 2 | GA4656925 | Axle EF Airbag 2050mm 10 Stud | 1 |
| | GA4656930 | Axle EF Airbag 2100mm 10 Stud | |
| | GA4656935 | Axle EF Airbag 3000mm 10 stud (with stiffener plates) | |
| 3 | GA5071010 | Bi-functional Bush, Trailing Airbag Suspension Frame, Includes Bolt, Nut and Sleeve | 2 |
| 4 | GA5015139 | Shock Absorber, Double eye, 19mm eye, 82mm OD, Black | 2 |
| 5 | GA5004738 | Bolt M8 x 70 ZP GR8.8 | 2 |
| 6 | GA5005311 | Air spring, HT230 single air stud | 2 |
| 7 | GA5004917 | Nut M8 Nyloc ZP | 2 |
| 8 | GA5003643 | Washer 8mm Flat SS HD | 4 |
| 9 | GA5001045 | Washer, 3/4", Flat ZP | 1 |
| 10 | GA5010868 | Ride height valve, 1/4" connecting rods | 1 |
| 11 | GA5001741 | Washer 20mm Flat SS HD | 13 |
| 12 | GA5049490 | Bolt 3/4" UNC x 4" ZP GR8 | 4 |
| 13 | GA5048430 | Nut, Nyloc, 3/4" UNC, ZP | 6 |

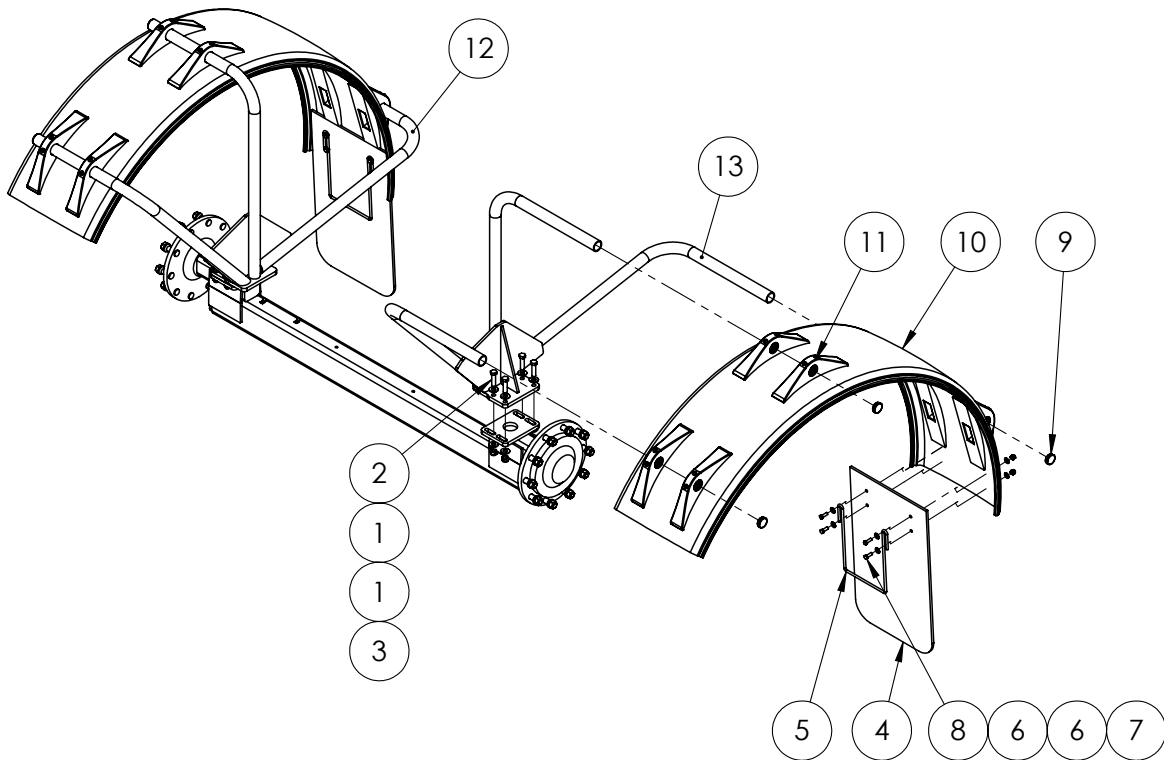
Continued over page

Air Bag Axle

| ITEM NO. | PART NUMBER | DESCRIPTION | QTY. |
|----------|-------------|--------------------------------------------------------------------------|------|
| 14 | GA4632050 | Suspension narrow retainer (32mm FMS) | 2 |
| 15 | GA5017659 | Washer, 1", Flat, ZP, Heavy duty (5mm thick) | 16 |
| 16 | GA5006031 | Bolt, 1"UNC x 5" ZP GR8 (2050mm Axles) | 8 |
| | GA5006151 | Bolt 1"UNF x 8" x12 TPI ZP GR8 (3000mm Axles) | |
| 17 | GA5012439 | Nut, 1" UNC, Nyloc ZP (2050mm Axles) | 8 |
| | GA5012445 | Nut, 1" UNF 14 tpi Nyloc ZP (3000mm Axles) | |
| 18 | GA5017673 | Washer 1/2" High Tensile | 8 |
| 19 | GA5068715 | Bolt, 1/2"UNC x 1 1/2" GR8.8 ZP | 8 |
| 20 | GA5017623 | Washer 3/8" Flat ZP HD | 4 |
| 21 | GA5002599 | Set screw, 3/8"UNC x 1 1/4", SS | 4 |
| 22 | GA5078058 | Mounting Clamp, Single type, Jaw, Pair, Group 3, 14mm | 4 |
| 23 | GA5078031 | Mounting clamp, Double type, Jaw, Pair, Group 2, 14mm | 4 |
| 24 | GA5078042 | Mounting clamp, Double type, Plate, Top, Group 2 | 2 |
| 25 | GA5078068 | Mounting Clamp, Single type, Plate, Top, Group 2 | 2 |
| 26 | GA5004447 | Washer, 6mm, Spring, SS | 2 |
| 27 | GA5011405 | Bolt M6 x 35 ZP GR8.8 | 2 |
| 28 | GA3500258 | Hydraulic coupling, Elbow, 90 degree, 1/4" BSPT male x 1/4" BSPT male | 5 |
| 29 | GA5051366 | End cap, 63.5 mm round, 1.25 - 2.0mm wall, black plastic | 2 |
| 30 | GA5011425 | SHCS M6 x 35 SS GR304 | 4 |
| 31 | GA3500269 | Hydraulic adaptor, Tee, 1/4" BSPT male x 1/4" BSPT male x 1/4" BSPT male | 1 |
| 32 | GA5069335 | Plug, 1/4" BSPT male thread, Brass | 1 |
| 33 | GA5018323 | Valve, Ball, 1/4" male / female thread inlet / outlet, SS, Lever handle | 2 |
| 34 | GA5001043 | Washer 16mm Flat SS HD | 56 |
| 35 | GA5000931 | Bolt M16 x 50 ZP GR8.8 | 28 |
| 36 | GA5075080 | Hex nut protection cap suit M16, Black | 28 |
| 37 | GA5001029 | Nut M16 Nyloc ZP | 28 |
| 38 | GA4524630 | Plate Alignment Eccentric Air bag | 2 |

Note: Rubber tee suit ride height levelling valve - GA5014651

Mudguards



| ITEM NO. | PART NUMBER | DESCRIPTION | QTY. |
|----------|-------------|-------------------------------------------------------------|------|
| 1 | GA5001043 | Washer 16mm Flat SS HD | 16 |
| 2 | GA5000939 | Bolt M16 x 60 GR8.8 Black | 8 |
| 3 | GA5001029 | Nut M16 Nyloc ZP | 8 |
| 4 | GA5011949 | Mudflap Goldacres green /gold 450 old style | 2 |
| 5 | GA5075070 | Bracket, Mud guard anti sail, Black | 2 |
| 6 | GA5002565 | Washer, 3/8" ID x 1" OD, Flat SS | 16 |
| 7 | GA5011133 | Nut M10 Dome nut SS | 8 |
| 8 | GA5006145 | Bolt M10 x 30 SS A2-70 | 8 |
| 9 | GA5003925 | End cap, 45 mm round, Black plastic | 6 |
| 10 | GA5004263 | Mudguard 630W x R1000 | 2 |
| | GA5003825 | Mudguard, Black plastic, 500 wide x 1000mm radius | |
| 11 | GA5066977 | Mudguard Bracket Dunloflex suit 48.3mm pipe (H50.660) | 12 |
| 12 | | | 1 |
| 13 | | Refer to tables over page for mudguard bracket part numbers | 1 |

Continued over page

Mudguards

32" WHEELS, AIR BAG AXLE

| PART NUMBER | DESCRIPTION |
|--------------------|----------------------------------|
| GA4900591-EF-NS-32 | Mudguard kit airbag axle 32" |
| GA4655078 | Mudguard Bracket 38" RH EF rigid |
| GA4655079 | Mudguard Bracket 38" LH EF rigid |

38" WHEELS, AIR BAG AXLE

| PART NUMBER | DESCRIPTION |
|--------------------|----------------------------------------------------|
| GA4900591-EF-NS-38 | Mudguards kit 38" to suit EF with a/bag suspension |
| GA4655078 | Mudguard Bracket 38" RH EF airbag |
| GA4655079 | Mudguard Bracket 38" LH EF airbag |

38" WHEELS, RIGID AXLE

| PART NUMBER | DESCRIPTION |
|------------------|----------------------------------------------|
| GA4900591-P-EF-R | Mudguards kit 38" to suit EF with rigid axle |
| GA4655082 | Mudguard Bracket 38" RH EF non airbag |
| GA4655083 | Mudguard Bracket 38" LH EF non airbag |

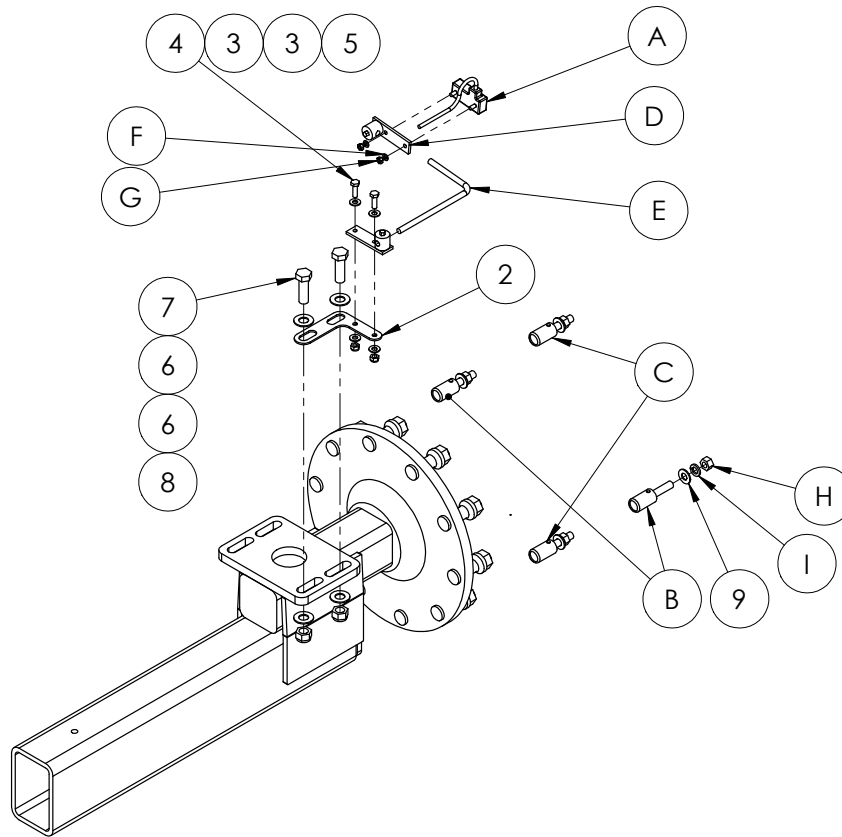
42" WHEELS, AIR BAG AXLE

| PART NUMBER | DESCRIPTION |
|--------------------|----------------------------------------------------|
| GA4900591-EF-NS-42 | Mudguards kit 42" to suit EF with a/bag suspension |
| GA4655076 | Mudguard Bracket 42" RH EF airbag |
| GA4655077 | Mudguard Bracket 42" LH EF airbag |

42" WHEELS, RIGID AXLE

| PART NUMBER | DESCRIPTION |
|---------------------|----------------------------------------------|
| GA4900591-P-EF-R-42 | Mudguards kit 42" to suit EF with rigid axle |
| GA4655088 | Mudguard Bracket 42" RH EF non airbag |
| GA4655089 | Mudguard Bracket 42" LH EF non airbag |

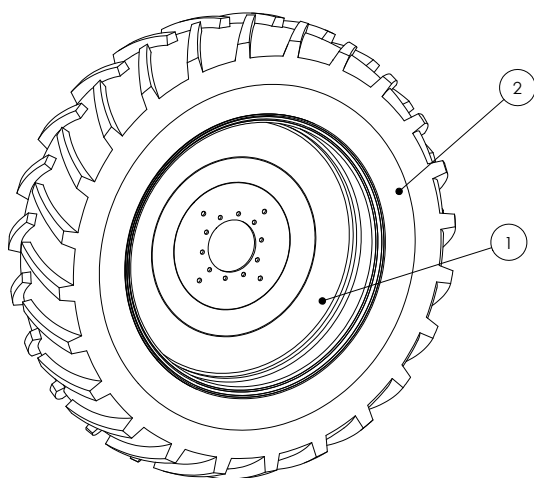
Wheel Speed Sensor



GA5075858 Wheel speed sensor kit

| ITEM NO. | PART NUMBER | DESCRIPTION | QTY. |
|----------|-------------|---------------------------------------------------------------|------|
| A | GA5075857 | Sensor;Wheel Drive Speed with 7 1/2' Cable, Raven | 1 |
| B | GA5075817 | Magnet, Red North Pole Speed Sensor Assembly, Raven | 2 |
| C | GA5075818 | Magnet, Black South Pole Speed Sensor Assembly, Raven | 2 |
| D | GA5075822 | Sensor;Turret Assembly Speed Sensor; Raven | 2 |
| E | GA5076045 | Rod, Speed Sensor; Raven | 1 |
| F | 3131000016 | Washer 1/4" lock split zinc | 2 |
| G | 3121001031 | Nut 1/4" - 20 hex ZP | 2 |
| H | 3121001043 | Nut 1/2" - 13 hex ZP | 4 |
| I | 3131000028 | 1/2" lock washer | 4 |
| 1 | GA5075858 | Sensor, Speed 4 Pole Wheel Drive with 7 1/2' Cable Kit, Raven | 1 |
| 2 | GA4534520 | Speed Sensor Tab Bolt On | 1 |
| 3 | GA5003643 | Washer 8mm Flat SS HD | 4 |
| 4 | GA5004711 | Bolt M8 x 25 ZP GR8.8 | 2 |
| 5 | GA5004917 | Nut M8 Nyloc ZP | 2 |
| 6 | GA5001043 | Washer 16mm Flat SS HD | 4 |
| 7 | GA5000931 | Bolt M16 x 50 ZP GR8.8 | 2 |
| 8 | GA5001029 | Nut M16 Nyloc ZP | 2 |
| 9 | GA5017655 | Washer 1/2" Flat SS | 4 |

Wheels



Note: When ordering complete wheel and tyre unit, please note which side is required. Rims are supplied painted and with speed sensor holes.

18.4 x 38" WHEELS

| PART NUMBER | DESCRIPTION |
|--------------|---------------------------------------------|
| GA4901410-10 | Complete wheel and tyre |
| GA5018820 | Wheel DW 15 x 38, 10 studs on 335, 0 offset |
| GA5001108 | Tyre 18.4 x 38 (16 Ply) |

20.8 x 42" WHEELS

| PART NUMBER | DESCRIPTION |
|-------------|---------------------------------------------|
| GA4901415 | Complete wheel and tyre |
| GA5020340 | Wheel, DW18 x 42, 10 studs on 335, 0 offset |
| GA5020830 | Tyre, 20.8 X 42 (16 Ply) TLR |

24.5 x 32" WHEELS

| PART NUMBER | DESCRIPTION |
|-------------|---------------------------------------------|
| GA4901404 | Complete wheel and tyre |
| GA5018814 | Wheel DW 21 X 32, 10 studs on 335, 0 offset |
| GA5001837 | Tyre 24.5 X 32 (16 Ply) |

20.8 x 42" WHEELS - 520

| PART NUMBER | DESCRIPTION |
|-------------|-------------------------------------------|
| GA4901405 | Complete wheel and tyre |
| GA5020340 | Wheel DW18 x 42", 10 Stud on 335 0 offset |
| GA5020831 | Tyre, 20.8 x 42 Radial 520/85 |

20.8 x 42" WHEELS - 580

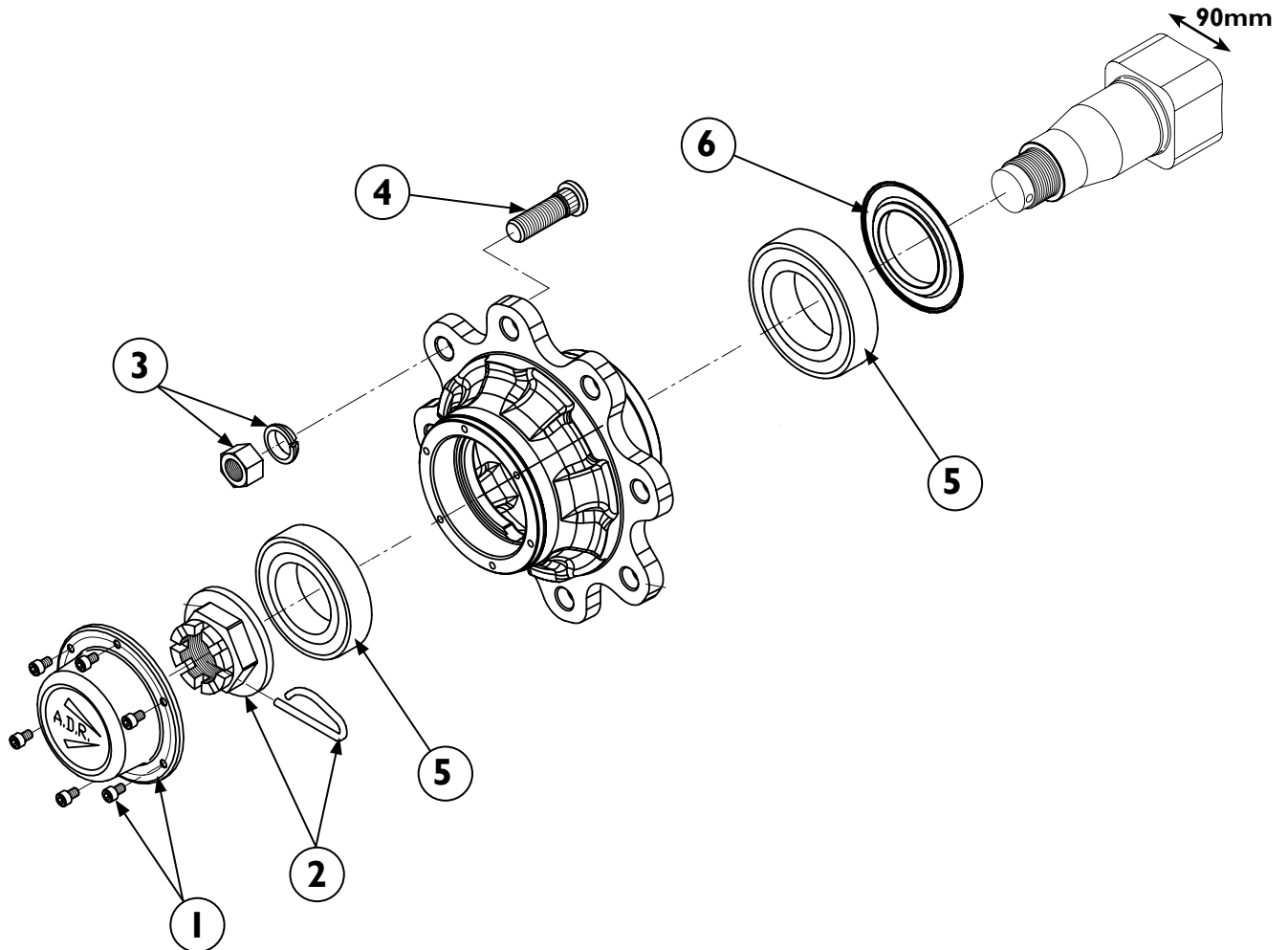
| PART NUMBER | DESCRIPTION |
|-------------|-------------------------------------------|
| GA4901405 | Complete wheel and tyre |
| GA5020340 | Wheel DW18 x 42", 10 Stud on 335 0 offset |
| GA5050381 | Tyre 580 /70R x 42 Radial |

WHEEL NUTS

| PART NUMBER | DESCRIPTION |
|-------------|------------------------------------------------------|
| GA5018892 | Wheel nut, M22 x 1.5mm, ZP |
| GA5018900 | Tapered spring Washers suit M22 wheel stud (329F003) |
| GA5054675 | Cap M20 hex Wheel nut cover |

Hub - 90 Series

TO DETERMINE SIZE/SERIES,
MEASURE CROSS SECTION.



| ITEM NO. | PART NUMBER | DESCRIPTION | QTY. |
|----------|-------------|----------------------------------------------------|------|
| - | GA5018119 | Complete 90 Series Hub/Stub Axle | - |
| 1 | GA5052120 | Cap kit, Suit 90 series stub axle, ADR | 1 |
| 2 | GA5052190 | Crown Nut Kit 80/90 Series ADR | 1 |
| 3 | GA5052165 | Wheel nut kit, Suit 90 / 110 series stub axle, ADR | 1 |
| 4 | GA5052205 | Stud Wheel Kit t/s 90 Series ADR (set of 10) | 1 |
| 5 | GA5052200 | Bearing kit, Suit 90 Series stub axle | 1 |
| 6 | GA5052195 | 90 Series ADR Seal Kit | 1 |