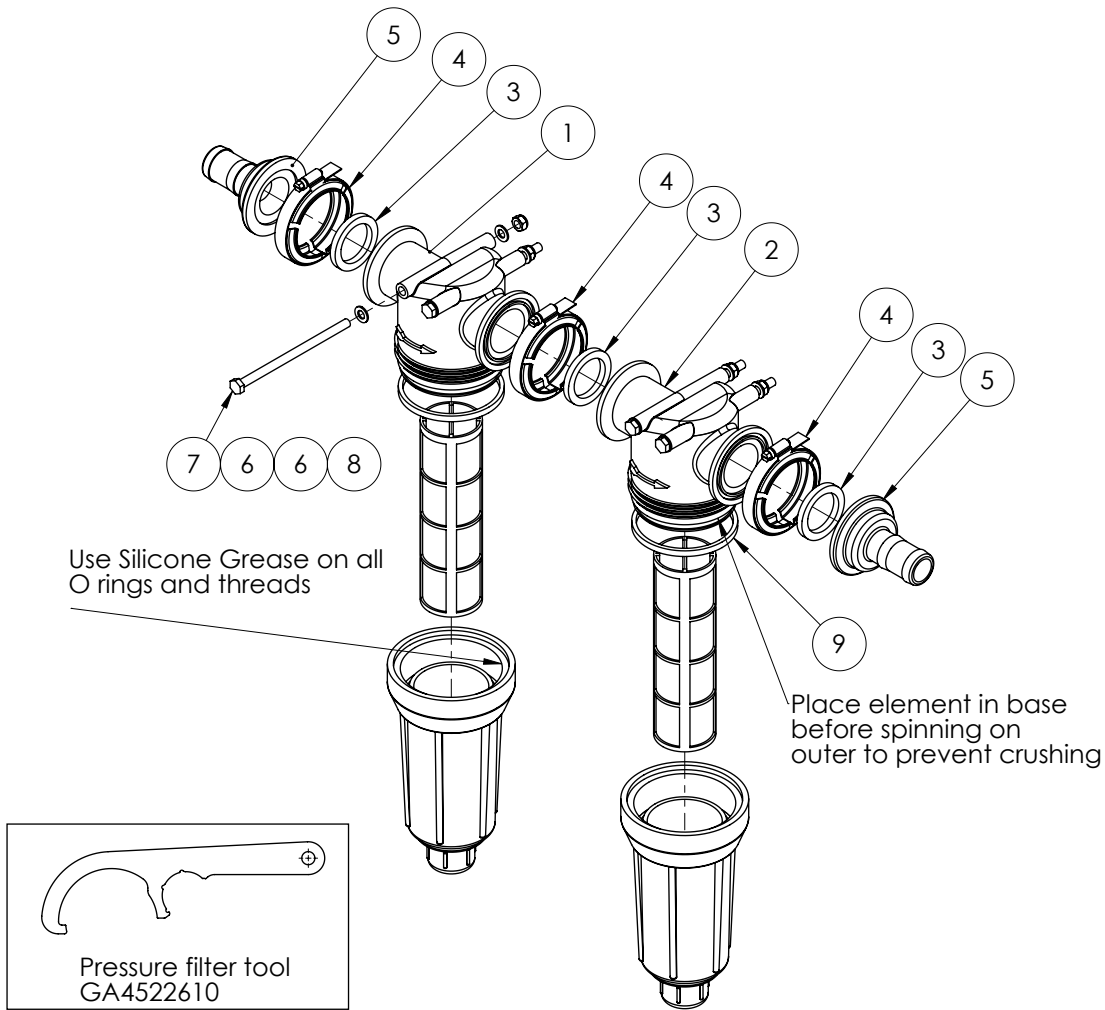


Chapter 19

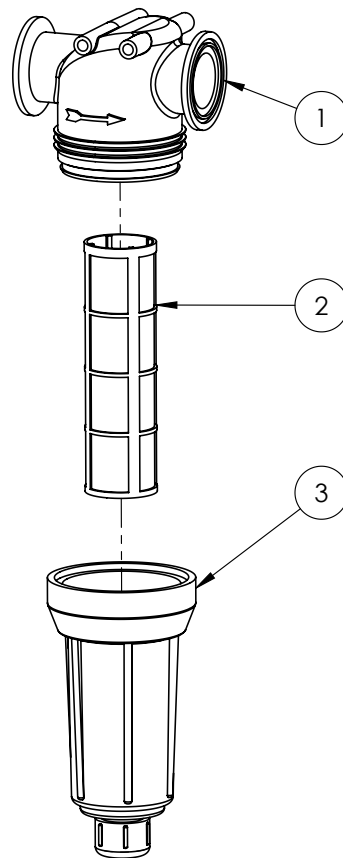
PLUMBING

Filter - Dual Pressure Assembly



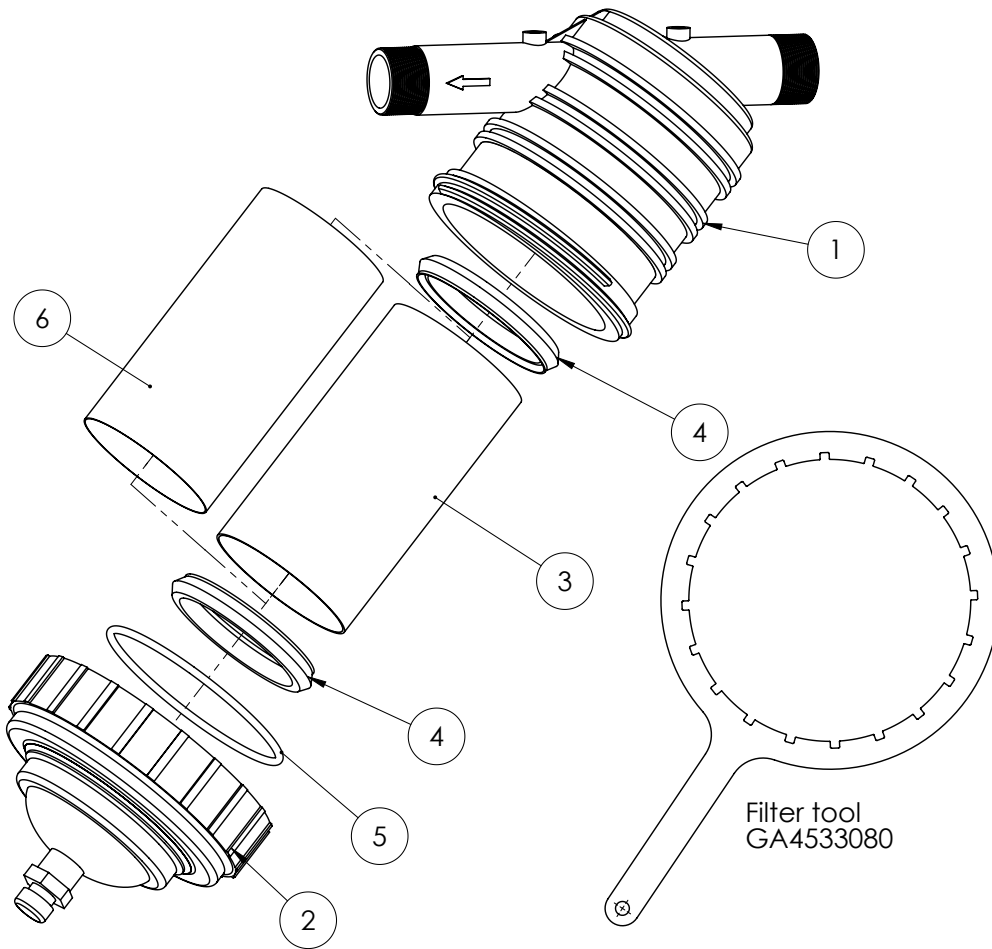
ITEM NO.	PART NUMBER	DESCRIPTION	QTY.
1	GA5077285	Filter, 75 series flange inlet & outlet, 80 mesh	1
	GA5077394	Filter screen, 80 mesh, SS & polypropylene	
2	GA5077284	Filter, 75 series flange inlet & outlet, 100 mesh	1
	GA5077395	Filter screen, 100 mesh, SS & polypropylene	
3	GA5009335	Seal, 41.5 ID x 55 OD x 6.5mm thick, EPDM, suit 1 1/2" flange	3
4	FC200	Clamp, Worm screw, Use with 2" standard flange port, Banjo	3
5	GA5077830	Hose barb, Flanged, Straight, 2" flange x 1 1/4" barb, Banjo	2
6	GA5003643	Washer 8mm Flat SS HD	8
7	GA5011503	Bolt M8 x 140 ZP GR8.8	4
8	GA5004917	Nut M8 Nyloc ZP	4
9	GA5077541	Seal, 98 OD x 91 ID x 7mm thick	2

Filter - Pressure - Body Assembly



ITEM NO.	PART NUMBER	DESCRIPTION	QTY.
1	GA5077285	Filter, 75 series flange inlet & outlet, 80 mesh	1
	GA5077284	Filter, 75 series flange inlet & outlet, 100 mesh	1
2	GA5077394	Filter screen, 80 mesh, SS & polypropylene	1
	GA5077395	Filter screen, 100 mesh, SS & polypropylene	1
3	GA5077539	Filter bowl, AA126, Suits 1 1/2 + 1 1/4, Grey, Polypropylene	2

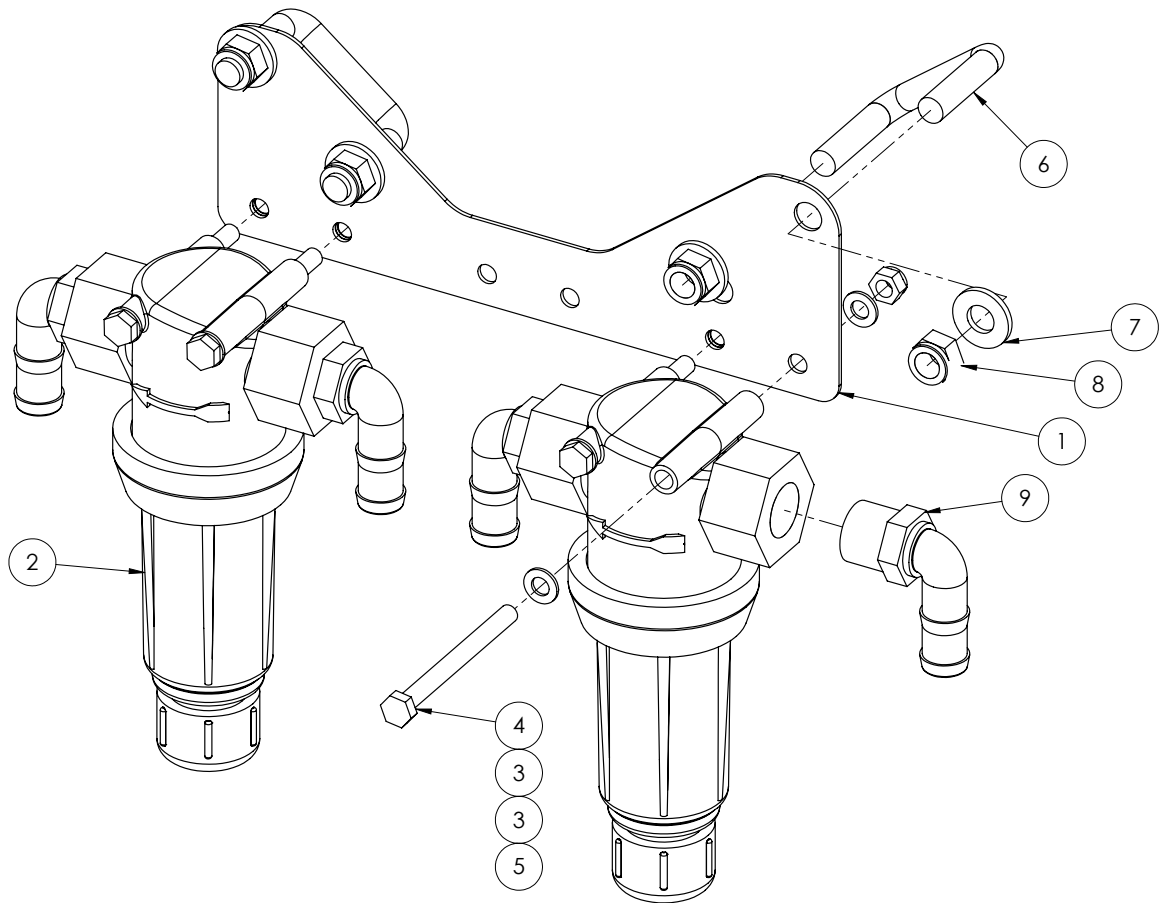
Filter - 2" Fill



GA5001333 Fill Filter, 2", 7 mesh Stainless steel screen with 50 mesh screen sock, viton, Geoline

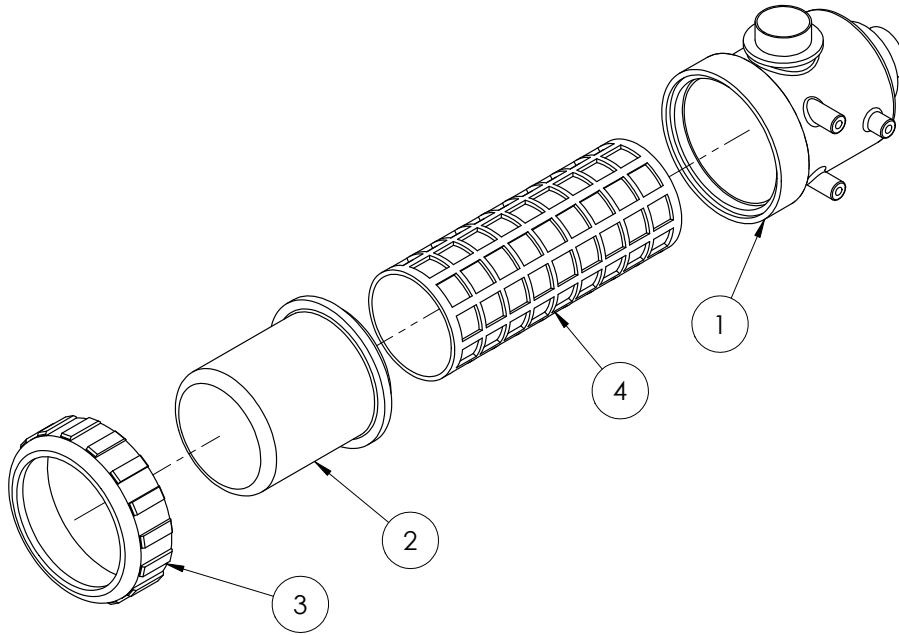
ITEM NO.	PART NUMBER	DESCRIPTION	QTY.
1	GA5077347	Body, suit 2" Geoline	1
2	GA5077349	Top cover & nut	1
3	GA5076845	Filter screen, 50 mesh, Blue, SS & polypropylene	1
4	GA5001329	Seal, Viton, Suit Geoline 2" fill filter	2
5	GA5012545	O-ring, Suit Geoline 2 fill filter GA5001333	1
6	GA5000421	Filter screen, 50 mesh, White, Sock type, Suit SS filter screen on 2" fill filter	1

Filter - In Line Boom



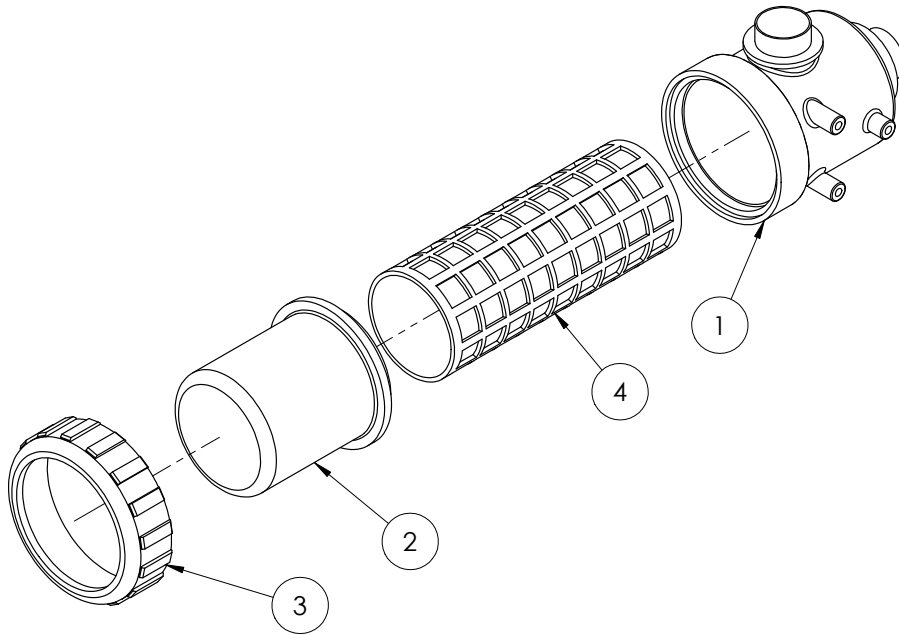
ITEM NO.	PART NUMBER	DESCRIPTION	QTY.
1	GA4505205	Boom line filter mount plate bolt on	1
2	GA5077270	Filter, 3/4" female thread inlet/outlet, 200 mesh screen	2
3	GA5048115	Nut M6 Nyloc ZP	8
4	GA5011495	Bolt M8 x 90 ZP GR8.8	4
5	GA5004917	Nut M8 Nyloc ZP	4
6	GA5011243	M12 x 50mm x 50mm Square Top U Bolts	2
7	GA5000577	Washer 12mm Flat SS HD	4
8	GA5012461	Nut M12 Nyloc ZP	4
9	GA5077717	Hose barb, Elbow, 90 degree, 3/4" male thread x 3/4" hose, Banjo	4

Filter - 1 1/2" Suction



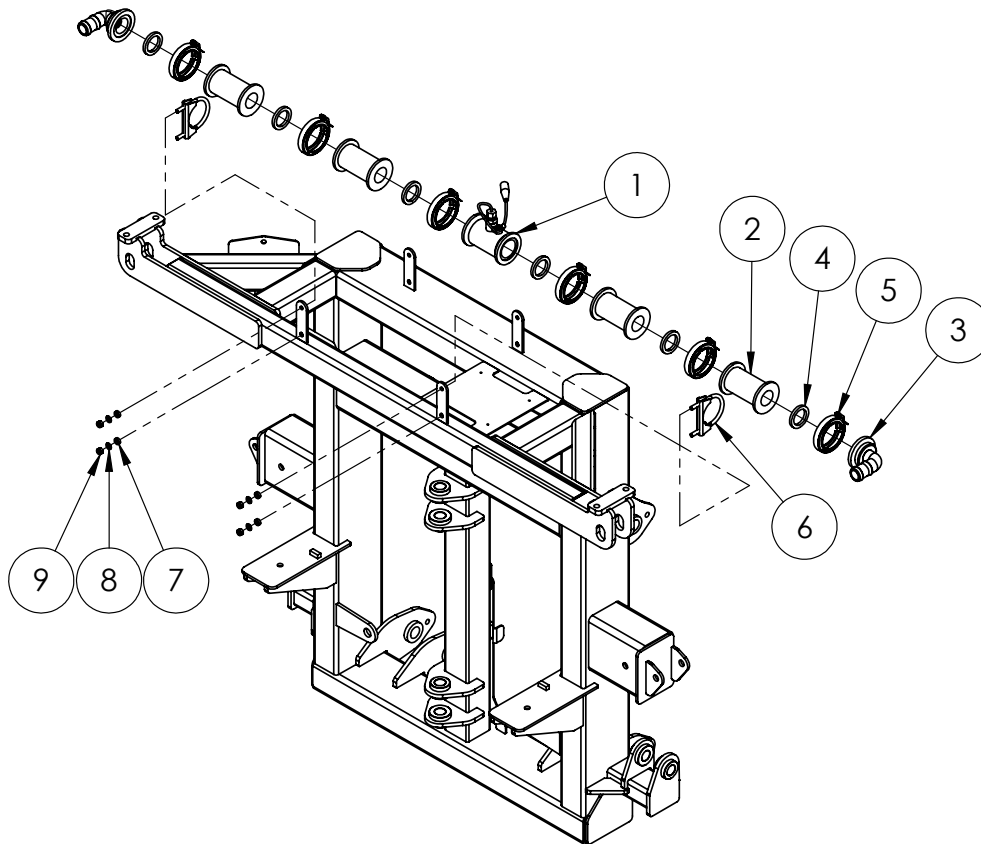
ITEM NO.	PART NUMBER	DESCRIPTION	QTY.
-	GA5076782	Filter, Suction, 1 1/2" male inlet & outlet, 50 mesh screen	-
1	316070.01	317 filter body	1
2	317000.02	317 filter bowl	1
3	316000.04	317 filter nut	1
	GA5076779	32 Mesh Screen - Red (standard fitment)	-
4	GA5076780	50 Mesh Screen - Blue	-
	GA5076781	80 mesh Screen - Yellow	-

Filter - 2" Suction



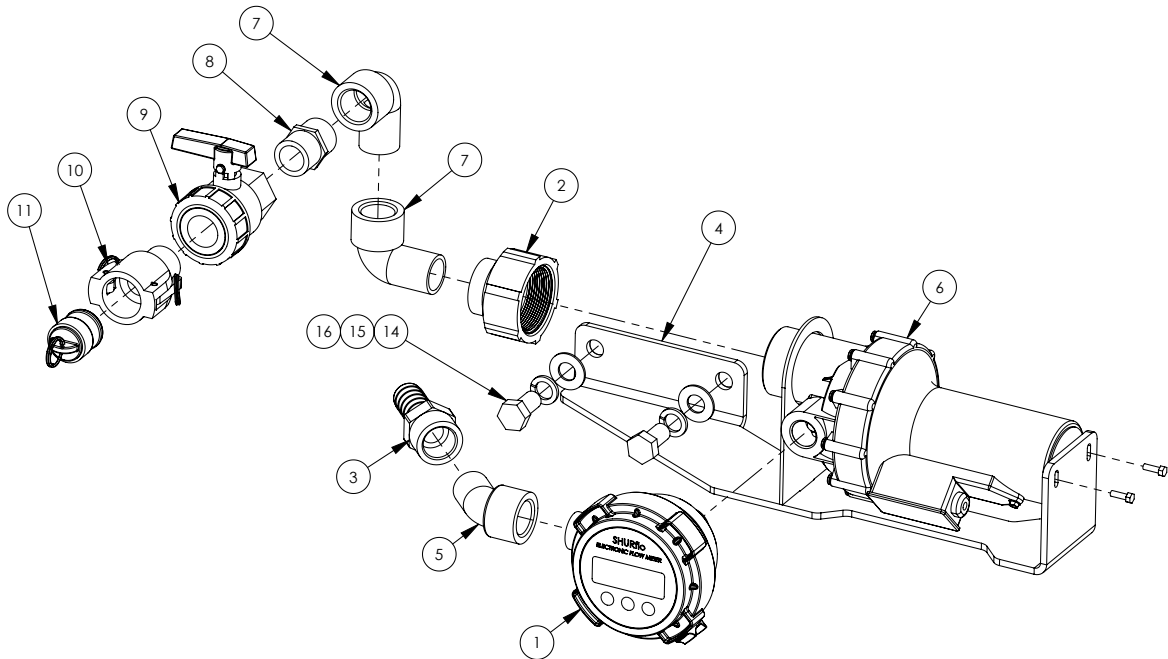
ITEM NO.	PART NUMBER	DESCRIPTION	QTY.
-	GA5076799	Filter, Suction, 2" male inlet & outlet, 32 mesh screen	-
1	316070.01	317 filter body	1
2	317000.02	317 filter bowl	1
3	316000.04	317 filter nut	1
	GA5076797	32 Mesh Screen - Red (standard fitment)	1
4	GA5076795	50 Mesh Screen - Blue	-
	GA5076798	80 mesh Screen - Yellow	-

Flow Meter - Spray - Assembly



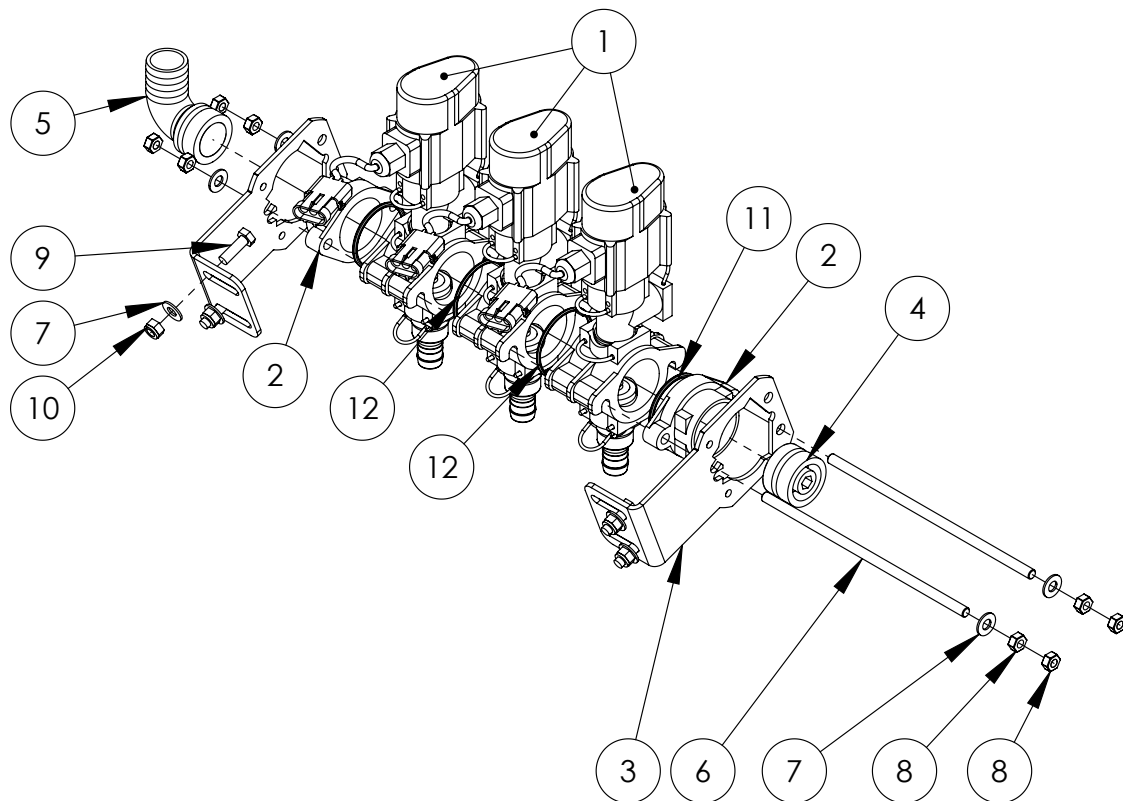
ITEM NO.	PART NUMBER	DESCRIPTION	QTY.
-	106-0159-514	Body, Molded Flowmeter	-
-	GA5075868	Sensor, External Flow Meter, Raven	-
1	GA5075873	Flowmeter	1
2	GA5077840	Plumbing coupling, Straight, 2" flange x 2" flange x 4 1/2" long	4
3	GA5077831	Hose barb, Elbow, 90 degree, 2" flange x 1 1/4" hose, Banjo	2
4	GA5009335	Seal, 41.5 ID x 55 OD x 6.5mm thick, EPDM	6
5	FC200	Clamp, Worm screw, Use with 2" standard flange port, Banjo	6
6	GA5006689	Clamp Exhaust 2 5/8" (C12)	2
7	GA4552080	Crush tube, 10.2 ID x 15 OD x 5mm long	4
8	GA5003643	Washer 8mm Flat SS HD	4
9	GA5052590	Nut M8 Nyloc SS	4

Pump - Chemical Transfer



ITEM NO.	PART NUMBER	DESCRIPTION	QTY.
1	GA2000031	Flow meter; Chemical transfer; 90 degree, Shurflo	1
2	GA2000032	Reducing coupling, 2" female NPT to 1" female NPT, Shurflo	1
3	GA5077747	Hose barb, Straight, 1" female thread x 1" hose, Banjo	1
4	GA4600250	Bracket, Shurflo Transfer Pump, Special	1
5	GA5078136	Street elbow, 45 degree, 1" male thread x 1" female thread, Banjo	1
6	GA2000030	Pump, Diaphragm, Chemical transfer 12v, Viton SHURflo	1
7	GA5078137	Street elbow, 90 degree, 1" male x 1" female, Banjo	2
8	GA5077914	Nipple, Short, 1" male thread x 1" male thread, Banjo	1
9	GA5078164	Valve, Ball, 1" female thread inlet / outlet, Full port, Lever handle, Banjo	1
10	GA5076007	Cam lever, 1" female coupler, 1" male thread, Banjo	1
11	GA5076005	Cam lever, Male plug, Suits 1" & 1 1/4" couplings, Banjo	1
12	GA5002077	25mm Key Ring SS	1
13	GA5001491	Chain 2mm x 20mm SS x cut 150 Long (not shown)	1
14	GA5000911	Bolt M16 x 30 ZP GR8.8	2
15	GA5000961	Washer 16mm Spring ZP	2
16	GA5001043	Washer 16mm Flat SS HD	2

Boom Valves Assembly



ITEM NO.	PART NUMBER	DESCRIPTION	QTY.
1	GA5065515	Boom valve, Single, AS24, 3 wire, 3 pin AMP connector, Altek	3
2	GA5065810	End cap, Altek boom valve	2
3	GA5065800	Altek boom valve mounting bracket	2
4	GA5065680	Plug, AS40 male, Altek	1
5	GA5065620	Hose barb, Elbow, 90 degree, AS40 x 33mm hose barb, Altek	1
6	GA5065805	Connecting rod suit 3 bank (303 SS)	2
7	GA5003643	Washer 8mm Flat SS HD	12
8	GA5011499	Nut M8 Hex ZP	8
9	GA5004711	Bolt M8 x 25 ZP GR8.8	4
10	GA5004917	Nut M8 Nyloc ZP	4
11	41214	O-Ring 42.0 x 3.0mm FPM-75	2
12	GA5012507	O-Ring 55.25 x 2.62mm	2

CONNECTING RODS

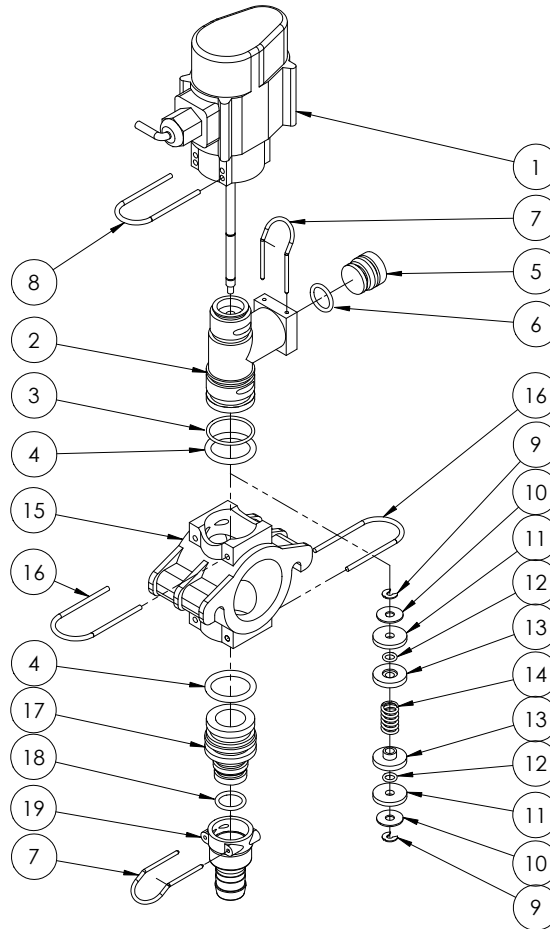
PART NUMBER	DESCRIPTION
GA5065805	3 Section connecting rod
GA4562055	4 Section connecting rod
GA4562125	5 Section connecting rod
GA4562050	6 Section connecting rod
GA4562045	7 Section connecting rod
GA4562040	8 Section connecting rod

BOOM VALVES

PART NUMBER	DESCRIPTION
GA5065740	3 Section Boom Valves
GA5065741	4 Section Boom Valves
GA5065704	5 Section Boom Valves
GA5065705	6 Section Boom Valves
GA5065706	7 Section Boom Valves
GA5065710	8 Section Boom Valves

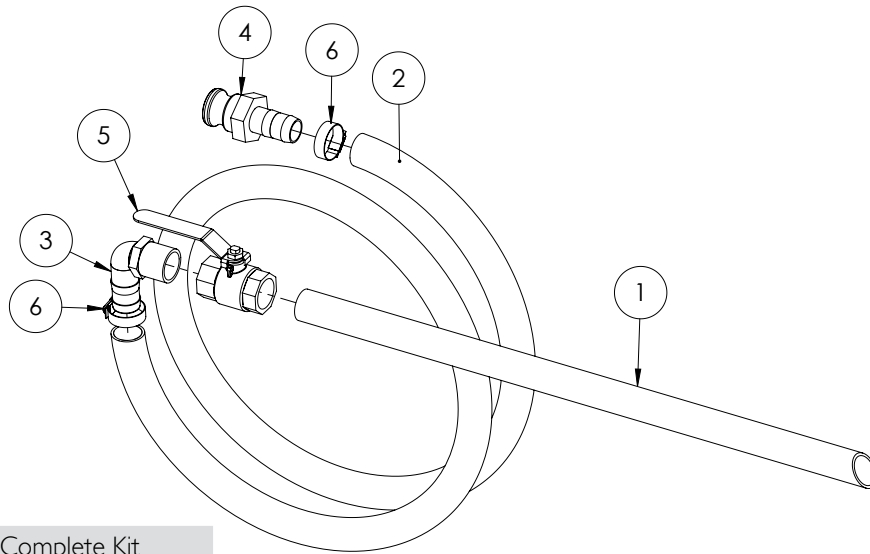
Note: Boom valve assemblies do not come with plumbing fittings.

Boom Valve Unit Assembly



ITEM NO.	PART NUMBER	DESCRIPTION	QTY.
1	-	Valve body	1
2	GA5065515	Tee body	1
3	GA5053510	O-ring, 25 x 2.5mm, fmp 75	1
4	GA5065830	O-ring, 24.3 x 4.2mm, fmp 75	2
5	80376	Plug	1
6	GA5065840	O-ring 18 x 2.5mm fmp 75	1
7	GA5065695	AS24 Safety Pin	2
8	47825	Safety pin	1
9	GA5054650	C-clip	2
10	GA5054640	Washer 17.8 x 6.1 x 1mm	2
11	GA5054645	Rubber Plunger Seal, fpm 90	2
12	GA5053515	O-ring, seal, 3.43 x 3.53mm, fmp 75	2
13	80005	Disk spring locator	2
14	80322	Spring 25mm	1
15	GA5065825	Manifold	1
16	GA5065701	Safety pin AS30	2
17	GA5065835	Plug in hose tail AS30/AS24	1
18	GA5065840	O-ring 18 x 2.5mm fmp 75	1
19	GA5065640	Hose barb, AS24 female x 20mm hose	1

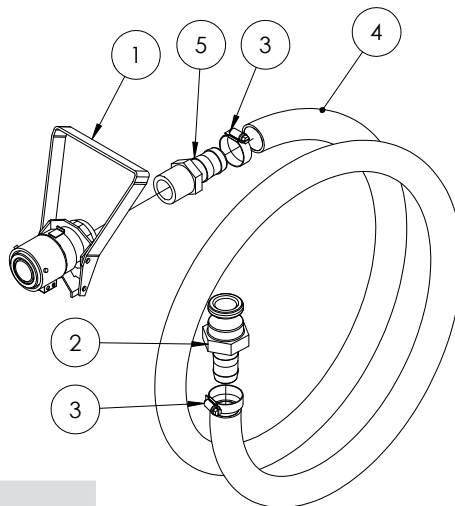
Chemical Suction Probe



GA4948250 Complete Kit

ITEM NO.	PART NUMBER	DESCRIPTION	QTY.
1	GA5013603	Poly Pipe 25 x 650mm	1
2	GA2000220	Hose, Suction, PVC, 25mm, Black cut to 3.2m	1
3	GA5077723	Hose barb, Elbow, 90 degree, 1" male x 1" hose, Banjo	1
4	GA5076011	Cam lever; 1" male coupling x 1" hose barb, Banjo	1
5	GA5018309	Valve, Ball, 12mm female thread inlet / outlet, Lever handle, SS	1
6	GA5001681	Hose Clamp, 1" SS (20-32/12W)	2

Enviro Drum/Micromatic Coupling & Hose

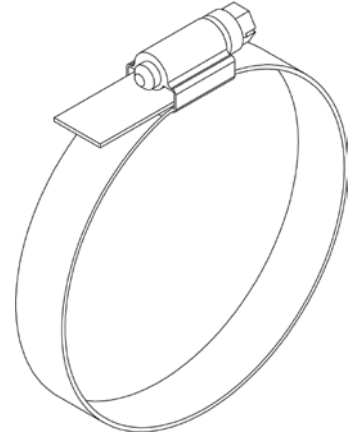


GA5020600 Complete Kit

ITEM NO.	PART NUMBER	DESCRIPTION	QTY.
1	GA5018803	Micromatic drum valve coupling, 3 pin, Viton seals	1
2	GA5076011	Cam lever; 1" male coupling x 1" hose barb, Banjo	1
3	GA5001681	Hose Clamp, 1" SS (20-32/12W)	2
4	GA2000220	Hose, Suction, PVC, 25mm, Black cut to 2.84m	1
5	GA5077718	Hose barb, Straight, 1" male thread x 1" hose, Banjo	1

Hose Clamps

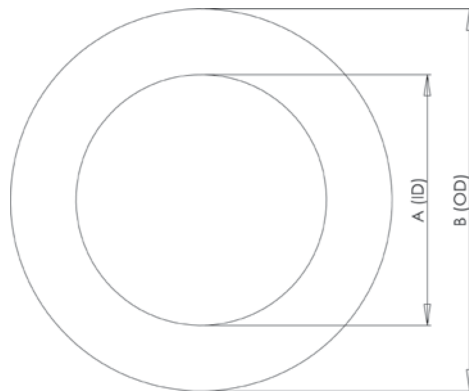
PART NUMBER	DESCRIPTION
GA5004865	8-16mm Hose Clamp
GA5000469	12-20mm Hose Clamp
GA5000999	16-25mm Hose Clamp
GA5001681	20-32mm Hose Clamp
GA5002783	30-45mm Hose Clamp
GA5002873	32-50mm Hose Clamp
GA5003325	40-60mm Hose Clamp
GA5016815	50-70mm Hose Clamp
GA5004241	60-80mm Hose Clamp



Cable Ties

PART NUMBER	DESCRIPTION	QTY
GA5002173	Cable Tie, Black, 100x2.5mm	1000
GA5003517	Cable Tie, Black, 140x3.5mm	1000
GA5004455	Cable Tie, Black, 190x4.5mm	1000
GA5000685	Cable Tie, Black, 320x7.5mm	100
GA5000687	Cable Tie, Black, 360x4.5mm	100
GA5021235	Cable Tie, Black, 540x7.5mm	100

Hoses



Suction Hose

PART NUMBER	DESCRIPTION	Internal Diameter (A)	Outside Diameter (B)
GA2000218	20mm Suction Hose	20mm	32mm
GA2000222	25mm Suction Hose	25mm	35mm
GA2000224	32mm Suction Hose	32mm	45mm
GA2000226	38mm Suction Hose	38mm	48mm
GA2000229	51mm Suction Hose	51mm	63mm
GA2000230	63mm Suction Hose	63mm	76mm
GA2000232	75mm Suction Hose	75mm	93mm

Note: Suction hose can be identified by its external green stripe and wire reinforcement.

Pressure Hose

PART NUMBER	DESCRIPTION	Internal Diameter (A)	Outside Diameter (B)
GA2000200	7mm Pressure Hose	7mm	12.5mm
GA2000211	13mm Pressure Hose	13mm	20mm
GA2000216	20mm Pressure Hose	20mm	28mm
GA2000219	25mm Pressure Hose	25mm	34mm
GA2000223	32mm Pressure Hose	32mm	43mm
GA2000225	38mm Pressure Hose	38mm	48mm

Note: Pressure hose can be identified by its blue internal layer.

PVC Hose

PART NUMBER	DESCRIPTION	Internal Diameter (A)	Outside Diameter (B)
GA2000220	25mm PVC Hose	25mm	32mm
GA2000227	40mm PVC Hose	40mm	50mm
GA2000228	50mm PVC Hose	50mm	58mm

Note: PVC Hose can be identified by its ribbed outer surface.

Sight Tube Hose

PART NUMBER	DESCRIPTION	Internal Diameter (A)	Outside Diameter (B)
GA2000209	12mm Clear Sight Tube Hose		
GA2000210	12mm Clear Sight Tube Hose with wire		

Lay Flat Hose

PART NUMBER	DESCRIPTION	Internal Diameter (A)	Outside Diameter (B)
GA5021395	50mm Blue Lay flat Hose		