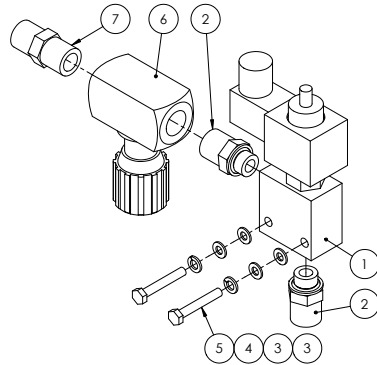


Chapter 18

HYDRAULICS

Boom Lower Solenoid



ITEM NO.	PART NUMBER	DESCRIPTION	QTY.
1	GA5047344	Hyd Soleniod boom lower	1
2	S75-0806	1/2 BSPT 3/8 BSPP Hyd Nipple	2
3	GA5004437	M6 SS Washer	4
4	GA5004447	M6 Spring washer SS	2
5	GA5004081	M6x40 bolt	2
6	GA5017393	Valve speed control 1/2 offset	1
7	S27-0808	0808 BSPTM BSPMT nipple	1

Load Sense Turbo Valve



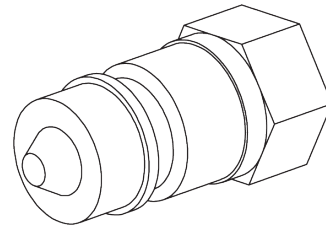
GA4902590 Complete Assembly

ITEM NO.	PART NUMBER	DESCRIPTION	QTY.
	GA5047677	Load sense turbo valve	1
	R81-08M	08 BSPFF Male Tip/Poppet	2
	R81-08P	08 BSPPF FQRC/Poppet/Push Pull	2
	S75-0408	0408 Nipple	2
	S50-080808	080808 BSPTM BSPTM Tee	1
	T202-0808	0808 BSPP female	2
	T202-0404	0404 BSPP female	2
	S75-0808	0808 Nipple BSPTM BSPPOM	1
	S77-0404	Elbow 0404 90° BSPTM BSPPOM	1
	S24-0804	Bush reducing BSPT x BSPT	1
	868AA012000WOORL	Hydraulic hose 1/2" - 1m	1
	GA5049695	Hydraulic hose 1/4" - 1m	1

Quick Release Couplings

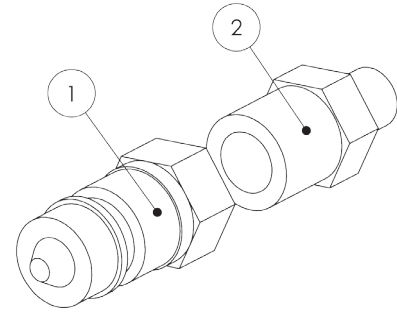
1/2" Hydraulic Lines

ITEM	PART NO	DESCRIPTION
1	R81-08M	1/2" BSPP Female Push/Pull Quick Release Coupling



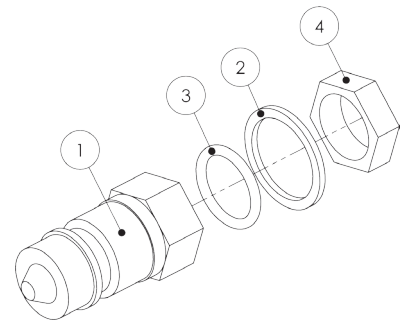
1/4" Hydraulic Lines

ITEM	PART NO	DESCRIPTION
1	R81-08M	1/2" BSPP Female Push/Pull Quick Release Coupling
2	S27-0804	1/2" BSPT - 1/4" BSPT Straight Hydraulic Nipple



Hydraulic Pump Lines

ITEM	PART NO	DESCRIPTION
1	R81-08M	1/2" BSPP Female Push/Pull Quick Release Coupling
2	36B-08	1/2" Retaining Washer
3	RO-BP08	1/2" Hydraulic O-Ring
4	35B-08	1/2" BSPP Lock Nut

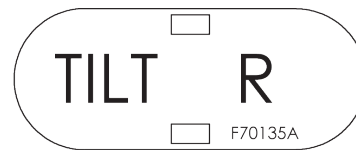
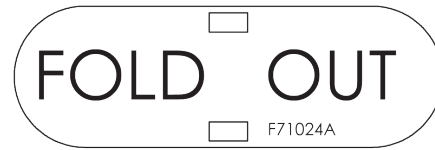
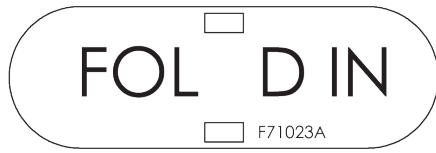


Note: Plastic Cover for when fittings are not in use is available Part No: GA5052365

Hydraulic Hoses

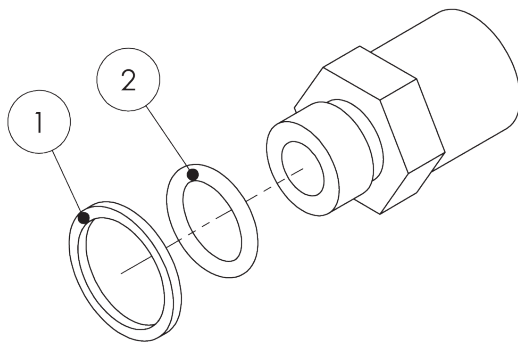
PART NO	DESCRIPTION
GA5067925	1/4" Hydraulic Hose, Tractor to fold cylinders
GA5067930	1/2" Hydraulic Hose, Tractor to Boom Lower Solenoid
GA5067940	1/2" Hydraulic Hose, Accumulator manifold to lift cylinders
GA5067945	1/4" Hydraulic Hose, Tractor to tilt cylinders

Hose ID Tags



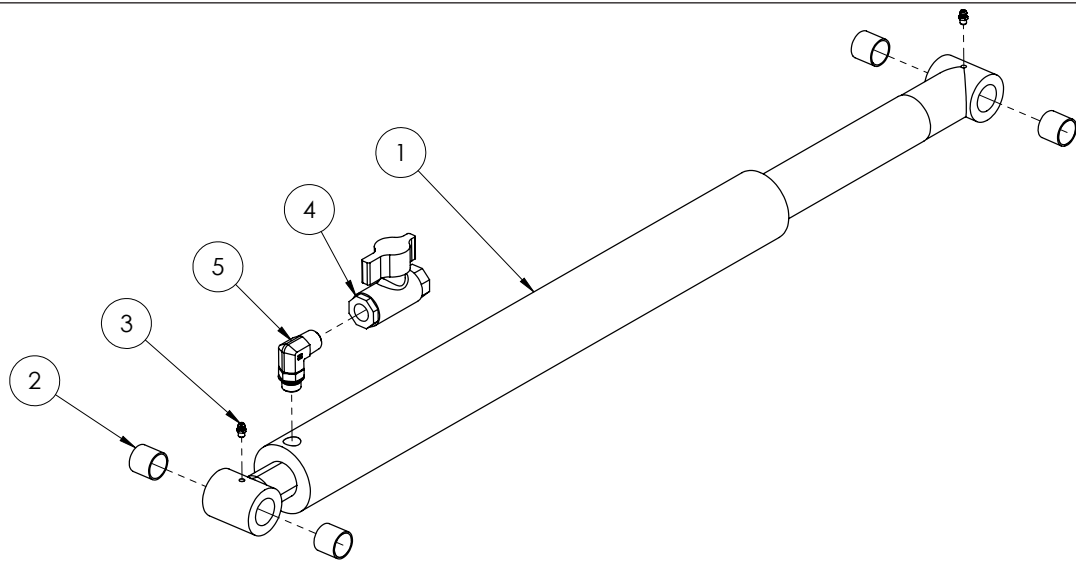
PART NO	DESCRIPTION
F71023A	Fold In Tag
F71024A	Fold Out Tag
F71025A	Boom Raise Lower Tag
F70134A	Tilt Left Tag
F70135A	Tilt Right Tag
F71018A	Bi-Fold In Tag
F71019A	Bi-Fold Out Tag
F71020A	Pressure Tag
F71021A	Tank Tag
F71022A	Load Sense Tag
F71026A	Brakes Tag

Hydraulic O-Rings and Retaining Washers



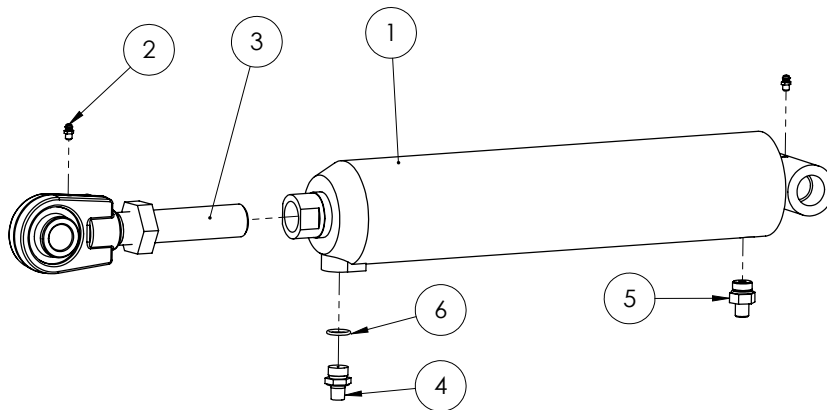
ITEM	PART NO	DESCRIPTION
1	36B-04	1/4" Retaining Washer
	36B-06	3/8" Retaining Washer
	36B-08	1/2" Retaining Washer
	36B-12	3/4" Retaining Washer
	2	RO-BP04
	RO-BP06	3/8" Hydraulic O-Ring
	RO-BP08	1/2" Hydraulic O-Ring
	RO-BP12	3/4" Hydraulic O-Ring

Hydraulic Cylinder - Boom Lift



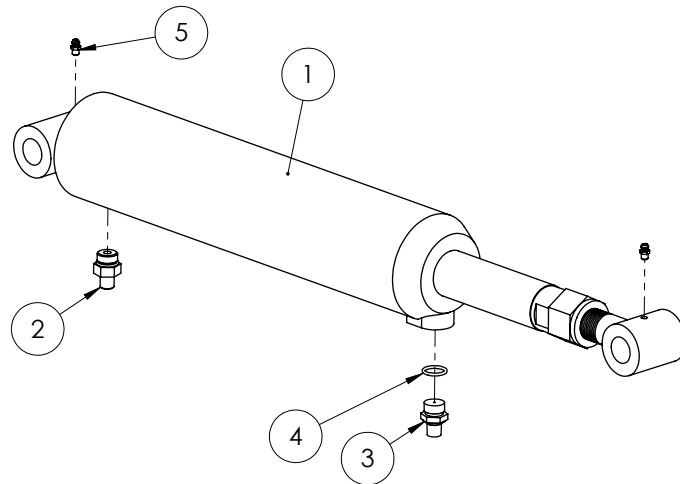
ITEM NO.	PART NUMBER	DESCRIPTION	QTY.
1	GA5070082	Hydraulic Cylinder 2.5" Bore, 2" Rod, 21" Stroke	1
2	GA5065487	1" ID, 1.125" OD glacier bush, 1" long	4
3	GA5012203	Grease Nipple 1/4" UNF Short	2
4	GA5000835	Ball valve hydraulic 1/2" FF	1
5	S89-0812	Elbow 90deg 1/2" BSP x 3/4" UNO	1
-	GA5052760	Hydraulic cylinder seal kit	-

Hydraulic Cylinder - Wing Tilt



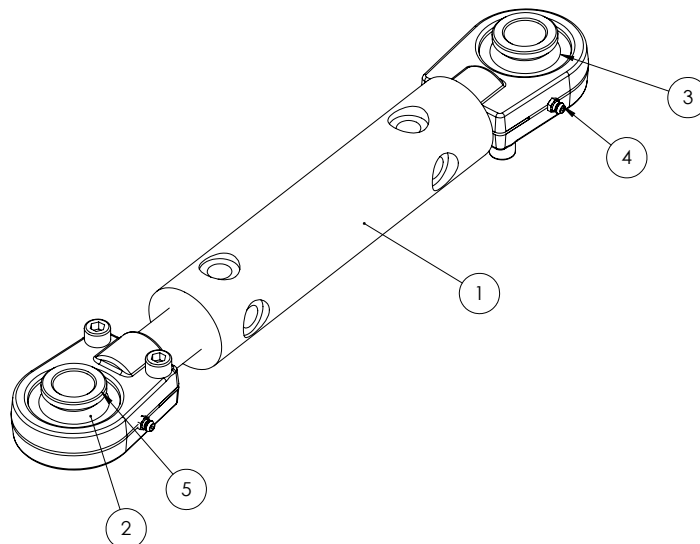
ITEM NO.	PART NUMBER	DESCRIPTION	QTY.
1	GA5065051	Hydraulic Cylinder 3.5"x5" stroke	1
2	GA5012203	Grease Nipple 1/4" UNF Short	2
3	GA5052762	Adjusting rod end c/w nut and ball	1
4	L068A	Restrictor Nipple 1/4 BSPT to 3/4 UNO 1.5mm orifice	1
5	S93-0412	Nipple 1/4" x 3/4" c/w O-RING	1
6	RO-BP08	1/2" BSPP O-Ring	1
-	GA5052730	Hydraulic Cylinder seal kit	-

Hydraulic Cylinder - Wing Tilt



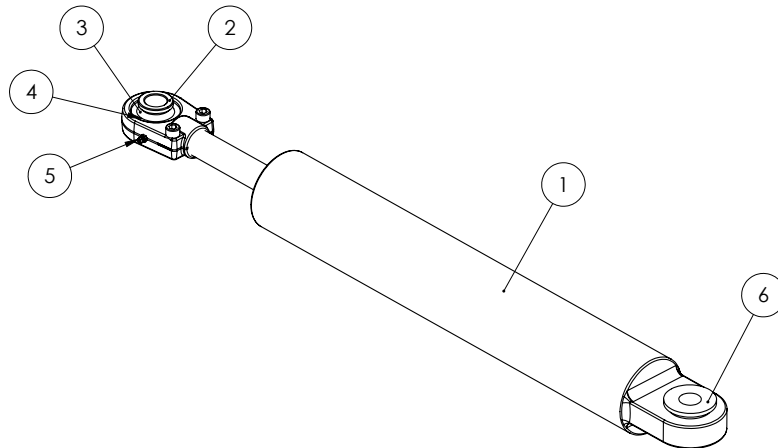
ITEM NO.	PART NUMBER	DESCRIPTION	QTY.
1	GA5065051	Hydraulic cylinder 3.5"x5" stroke	1
2	S93-0412	Nipple 1/4" x 3/4" c/w O-RING	1
3	L068A	Restrictor Nipple 1/4 BSPT to 3/4 UNO 1.5mm orifice	1
4	GA5001067	1/2" BSPP O-Ring	1
5	GA5012203	Grease Nipple 1/4" UNF Short	2
-	GA5052730	Hydraulic Cylinder seal kit	-
-	GA5052761	Adjusting rod end with nut and bushes (spare part)	-

Hydraulic Cylinder - Yaw



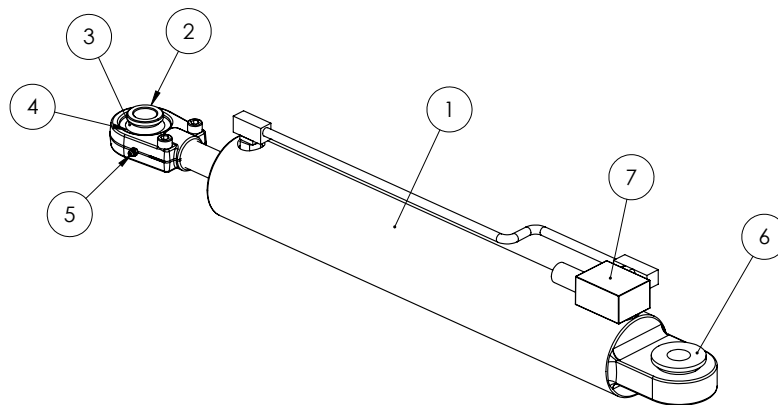
ITEM NO.	PART NUMBER	DESCRIPTION	QTY.
1	GA5060817	Hydraulic yaw cylinder 2" x 1 1/4" x 117.5	2
2	GA5067605	Bearing GEG 30 ES 2RS	2
3	GA5067610	Bearing Retaining clip set (2 per set)	2
4	GA5012203	Grease Nipple 1/4" UNF Short	2
5	GA5067600	Bearing Bush - Small	4
-	GA5052745	Cylinder Seal Kit	-

Hydraulic Cylinder - Boom Fold RH



ITEM NO.	PART NUMBER	DESCRIPTION	QTY.
1	GA5018538	Hydraulic Cylinder 3" x 18" x 1.25" (external phasing)	1
2	GA5067600	Bearing Bush - Small	3
3	GA5067605	Bearing GEG 30 ES 2RS	2
4	GA5067610	Bearing Retaining clip set (2 per set)	2
5	GA5012203	Grease Nipple 1/4" UNF Short	2
6	GA5067595	Bearing Bush - Large	1
7	L068A		1
-	GA5052685	Hydraulic Cylinder seal kit	-

Hydraulic Cylinder - Boom Fold LH



ITEM NO.	PART NUMBER	DESCRIPTION	QTY.
1	GA5018542	Hydraulic Cylinder 3.25" x 18" x 1.25" (external phasing)	1
2	GA5067600	Bearing Bush - Small	3
3	GA5067605	Bearing GEG 30 ES 2RS	2
4	GA5067610	Bearing Retaining clip set (2 per set)	2
5	GA5012203	Grease Nipple 1/4" UNF Short	2
6	GA5067595	Bearing Bush - Large	1
7	GA5022423	Relief Valve suit 3.25" phasing cylinder (spare part)	-
-	GA5052685	Hydraulic Cylinder seal kit	-

Hydraulic Schematic

