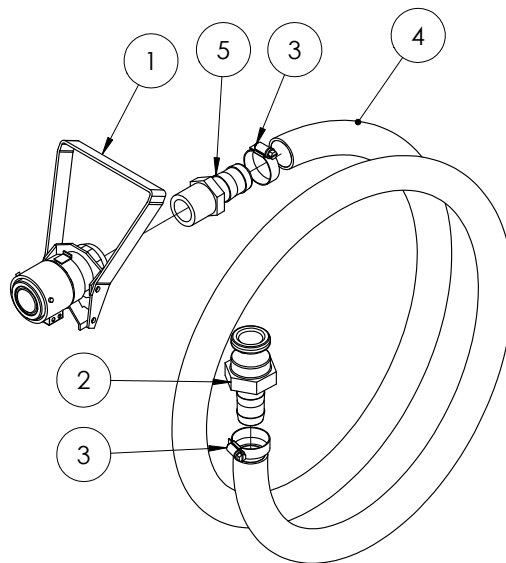


OPTIONAL ACCESSORIES

The below items are not factory options. They may be fitted to the sprayer as a Dealer Fitted Option (DFO). Contact your Goldacres dealer for more information on DFO's.

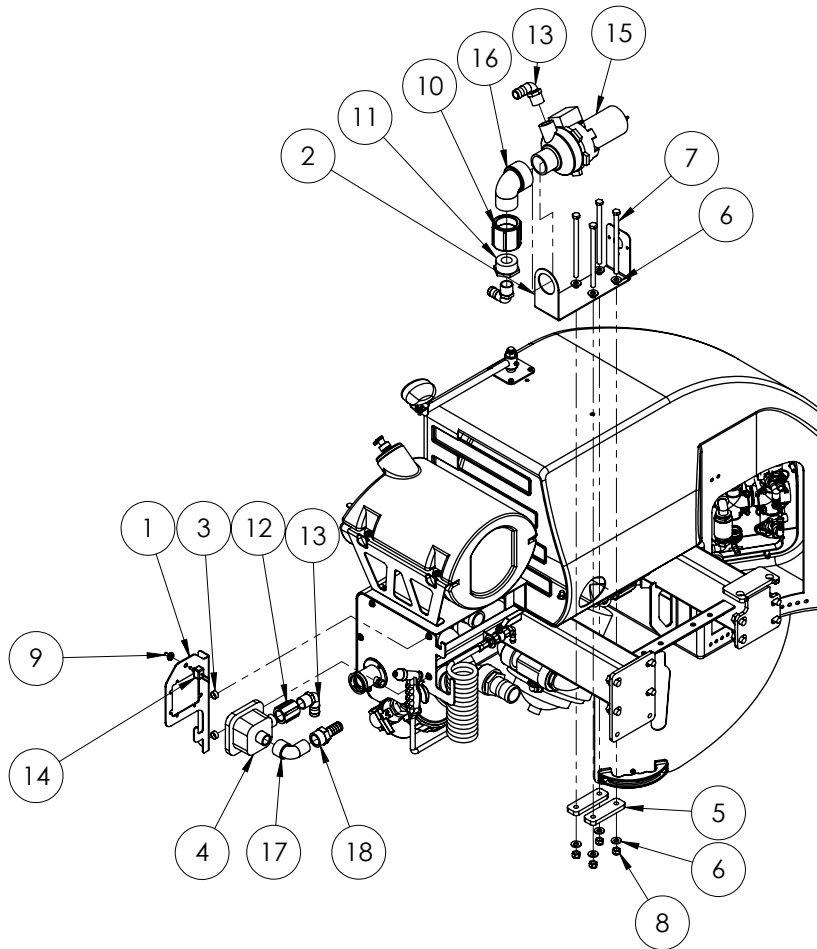
Enviro Coupling & Hose



GA5020600 Complete Kit

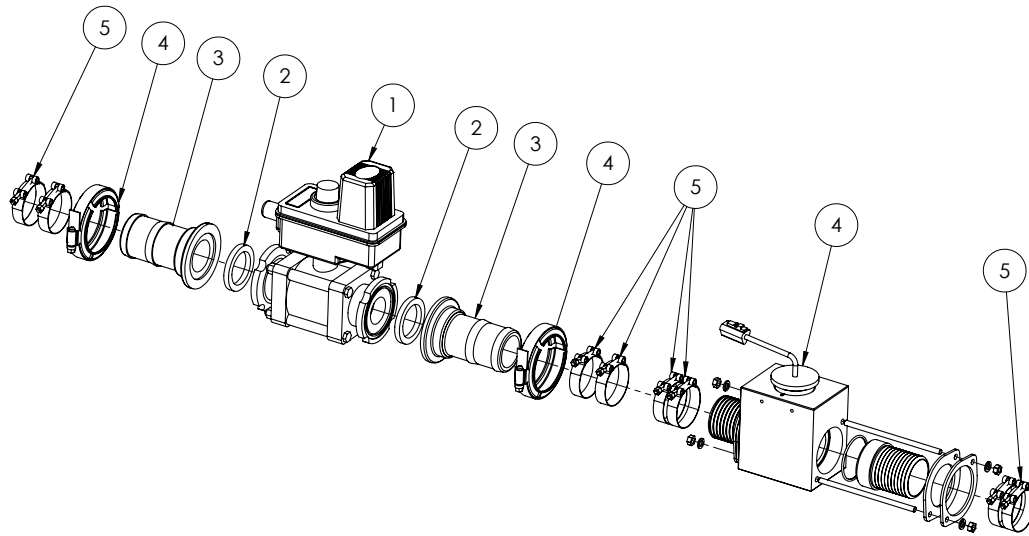
| ITEM NO. | PART NUMBER | DESCRIPTION | QTY. |
|----------|-----------------------------------|------------------------------------|------|
| 1 | GA5018803 | Coupler, 3 Pin, Viton Flow Control | 1 |
| 2 | 100E Male Adapter | 1" Hose Shank | 1 |
| 3 | GA5001681 | 1" SS hose clamp | 2 |
| 4 | HOS25PVC - suit enviro chem probe | PVC hose 25mm cut 2840mm | 1 |
| 5 | HB100 | Hose Barb 1" | 1 |

PH6 Pump Mounting Kit



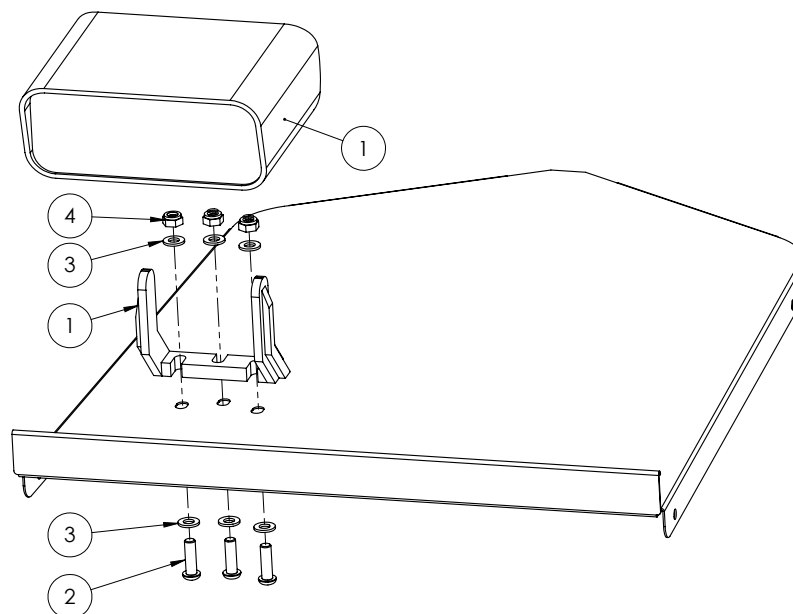
| ITEM NO. | PART NUMBER | DESCRIPTION | QTY. |
|----------|-------------|--|------|
| 1 | GA4523891 | PH6 Flowmeter Mounting Plate | 1 |
| 2 | GA4523890 | PH6 pump mount plate | 1 |
| 3 | GA4552070 | crush tube 16.2x20.5x9.5 | 2 |
| 4 | GA5068485 | Flow serve SEM 10 flowmeter to suit PH6 pump | 1 |
| 5 | F70107A | 18mt ram bracket | 2 |
| 6 | GA5000587 | M12 WASHER | 8 |
| 7 | GA5011223 | Bolt M12 x 200 ZP GR 8.8 ZP | 4 |
| 8 | GA5012461 | M12 Nyloc nut Z/P | 4 |
| 9 | GA5012175 | Narva Water Proof Switch Cover B/P | 1 |
| 10 | CPLG200 | 2 poly pipe coupling | 1 |
| 11 | RB200100 | Poly Reducer Bushing 2 x 1 | 1 |
| 12 | CPLG100 | 1" Poly Pipe Coupling | 1 |
| 13 | HB100-90 | Hose barb 90 degree 1" Banjo | 3 |
| 14 | GA5016749 | Switch toggle On/Off water proof | 1 |
| 15 | GA5068480 | Flowservice PH6 Pump | 1 |
| 16 | SL200-90 | Street Elbow 2" | 1 |
| 17 | SL100-90 | Street Elbow 1" Poly | 1 |
| 18 | HBF100 | Female Hose Barb 1" | 1 |

Fill Flow Meter



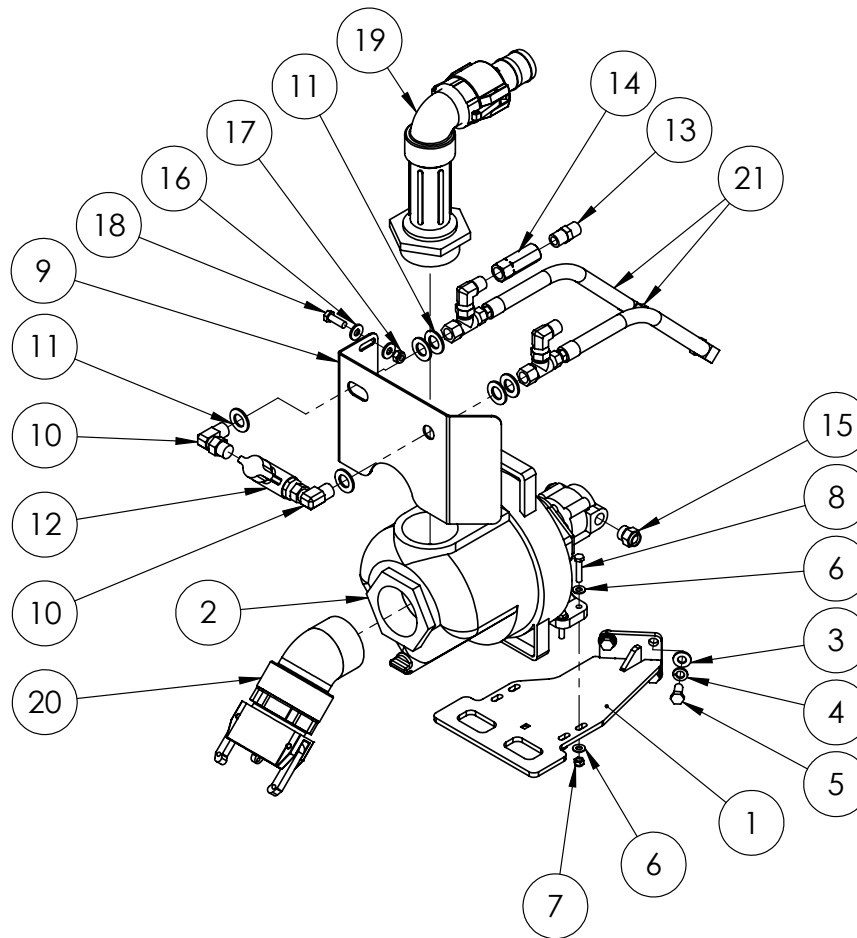
| ITEM NO. | PART NUMBER | DESCRIPTION | QTY. |
|----------|---------------------|--------------------------------------|------|
| 1 | B344BEC-24-C | Electric shutoff valve 2 way 1" BSP | 1 |
| 2 | GA5009335 | Gasket Kamlock Nitrile 1 1/2 Fit 150 | 2 |
| 3 | M200BRB | 2" Hose barb to flange | 2 |
| 4 | 90-02316 Flow Meter | 90-02316 TeeJet Flow Meter | 1 |
| 4 | FC200 | 200 Series Std Screw Clamp | 2 |
| 5 | GA5010191 | 2" Hose Clamp | 8 |

Fill Flow Meter Monitor



| ITEM NO. | PART NUMBER | DESCRIPTION | QTY. |
|----------|-------------|-------------------------|------|
| 1 | 75-30013 | Fill flow meter monitor | 1 |
| 2 | GA5004053 | Bolt BHCS S'Steel M6x20 | 3 |
| 3 | GA5004437 | M6 SS Washer | 6 |
| 4 | GA5048115 | M6 Nyloc Nut SS | 3 |

3" Fill Pump

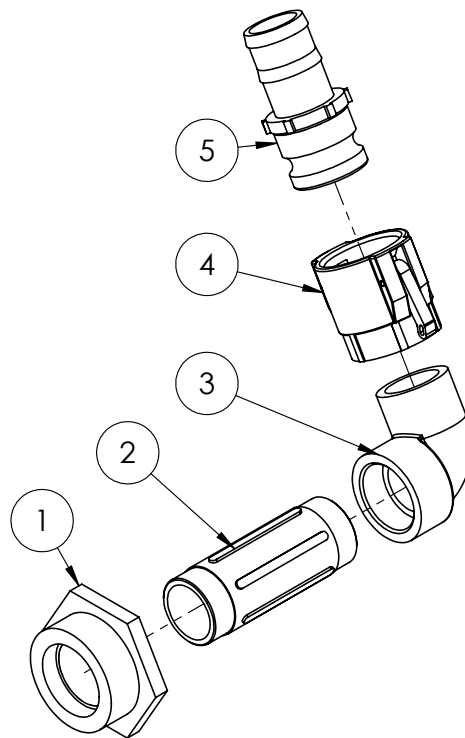


| ITEM NO. | PART NUMBER | DESCRIPTION | QTY. |
|----------|-------------|--|------|
| 1 | GA4658170 | Fill pump mount frame 201 I | 1 |
| 2 | 300PHYV | 3" Banjo fill pump | 1 |
| 3 | GA5000587 | M12 WASHER | 4 |
| 4 | GA5000575 | M12 Spring washer SS | 4 |
| 5 | GA5000295 | Set screw HT M12 x 25 | 4 |
| 6 | GA5004883 | Washer 8mm HD | 8 |
| 7 | GA5004917 | M8 Nyloc Nut | 4 |
| 8 | GA5048655 | M8x40 bolt | 4 |
| 9 | GA4523865 | fill pump tap plate suit 3 inch pump | 1 |
| 10 | S77-0808 | 0808 90' Elbow | 2 |
| 11 | GA5001739 | M20 Heavy Duty Flat Washer | 6 |
| 12 | GA5000835 | Ball valve hydraulic 1/2" FF | 1 |
| 13 | S27-0808 | 0808 BSPTM BSPMT nipple | 1 |
| 14 | GA5007060 | Check Valve (45 LPM) 1/2 BSPP zero bar | 1 |
| 15 | S93-0814 | 0.5inch BSPT male to 0.875 inch UN O ring male | 2 |
| 16 | GA5000117 | Washer 10mm SS Heavy duty | 4 |
| 17 | GA5000141 | M10 Nyloc Nut | 2 |

Continued over page

| ITEM NO. | PART NUMBER | DESCRIPTION | QTY. |
|----------|--------------|---|------|
| 18 | GA5065455 | Bolt Gr8.8 M10x30 | 2 |
| 19 | GA4903149-3 | 3" Fill Pump Outlet | 1 |
| 20 | GA4903149-1 | 3" Fill Pump Inlet | 1 |
| 21 | GA4903149-2 | Fill pump hyd hose assy | 2 |
| 22 | GA4903149-02 | 1/2" hyd hose cut 340mm T202-0808 and T205-0808 | 1 |

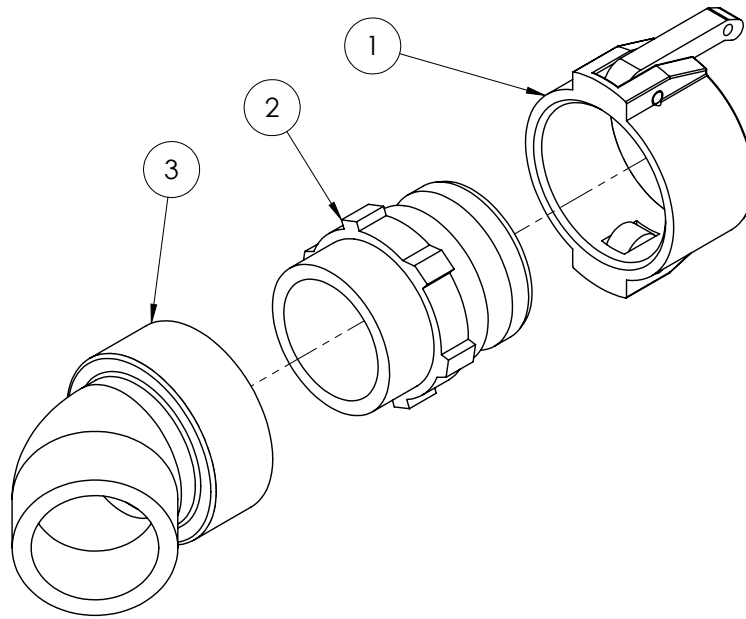
3" Fill Pump Outlet



GA4903149-3 Fill Pump Outlet

| ITEM NO. | PART NUMBER | DESCRIPTION | QTY. |
|----------|-------------|---|------|
| 1 | RB300200 | Poly Pipe Reducer Bush 3" x 2" | 1 |
| 2 | NIP200-6 | 2" X 6" Poly Nipple | 1 |
| 3 | SL200-90 | Street Elbow 2" | 1 |
| 4 | 200D | Cam lever coupling - 2" female coupler x 2" female thread | 1 |
| 5 | 200E | Cam lever coupling - 2" male adapter x 2" hose shank | 1 |

3" Fill Pump inlet



GA4903149-1 Fill Pump Inlet

| ITEM NO. | PART NUMBER | DESCRIPTION | QTY. |
|----------|-------------|-------------------------------------|------|
| 1 | 300CAP | 3" Female Cam lock Cap | 1 |
| 2 | 300F | Male Cam lock Adaptor 3 Male Thread | 1 |
| 3 | SL300-45 | Street Elbow 3" 45 deg | 1 |

