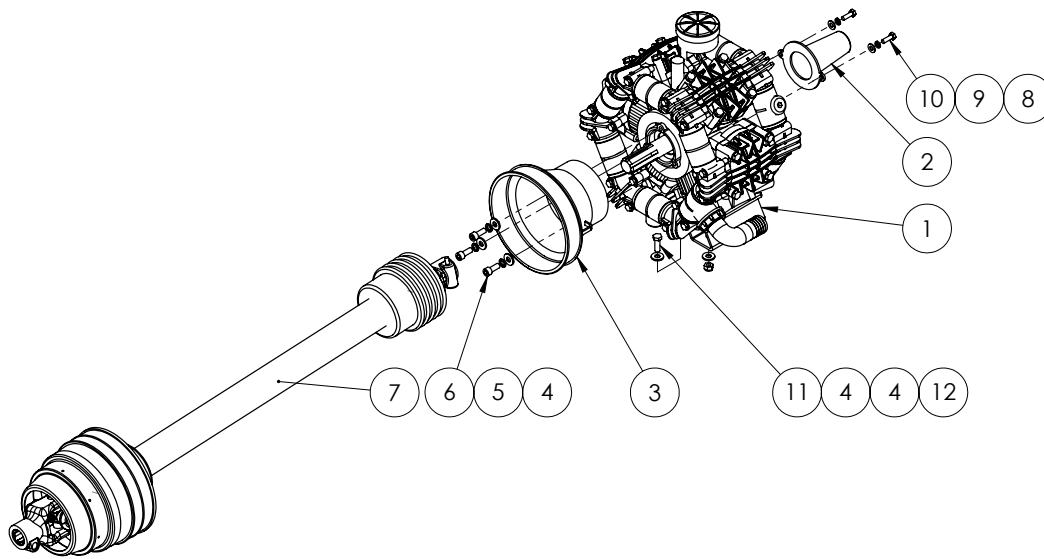


Chapter 2

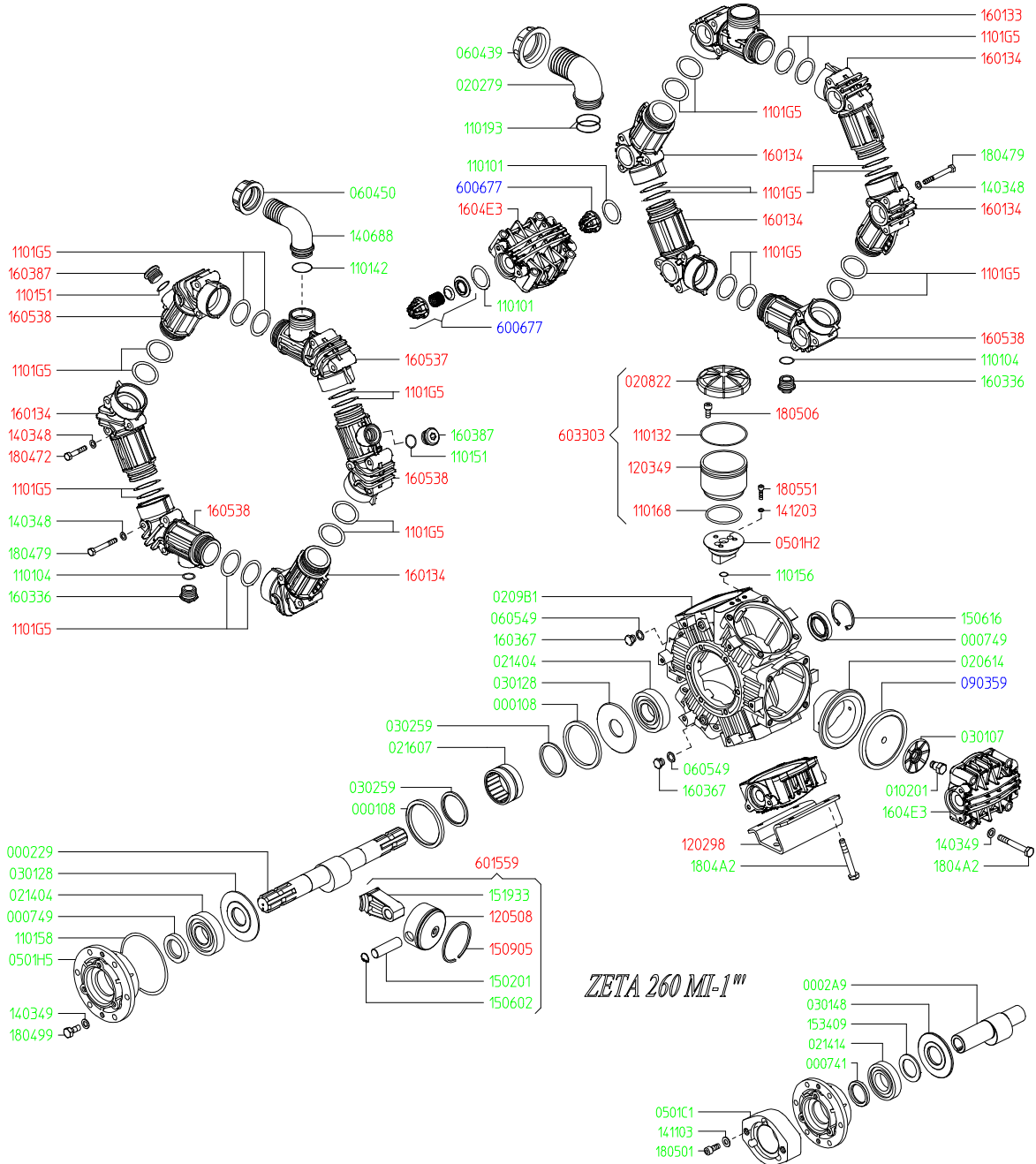
PUMPS

Pump - Zeta 260 PTO Shaft drive



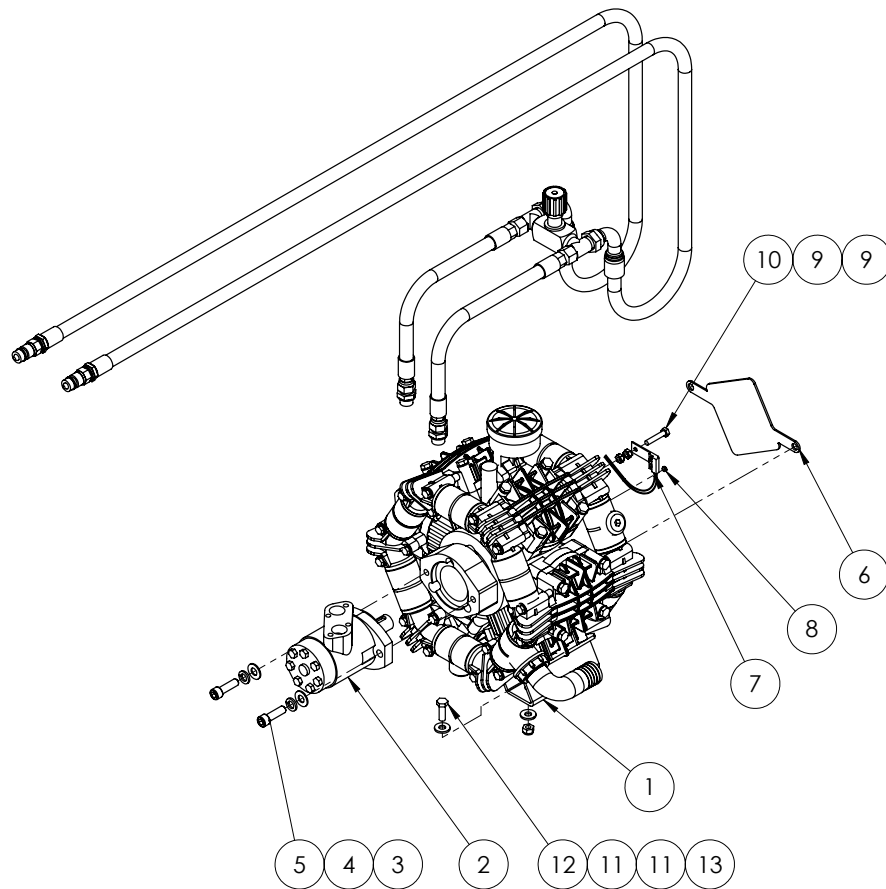
ITEM NO.	PART NUMBER	DESCRIPTION	QTY.
1	GA5054505	Pump Zeta 260 PTO TS 2C	1
2	GA5013499	PTO protector to suit rear of 2C pumps	1
3	7650-7202121902	PTO Cover	1
4	GA5000117	Washer 10mm SS Heavy duty	11
5	GA5000137	Washer 10mm Spring S/S	3
6	M10x25 Unbrako	M10x25 Unbrako	3
7	GA5013511	PTO drive shaft wide angle 1.05m	1
	GA5060830	PTO drive shaft narrow angle	
	7650-7202121913	Standard shaft cover	
8	GA5004883	Washer 8mm HD	2
9	GA5004919	M8 Spring washer SS	2
10	GA5004711	M8x25 bolt	2
11	GA5065455	Bolt Gr8.8 M10x30	4
12	GA5000141	M10 Nyloc Nut	4

Pump - Zeta 260 Pump Breakdown



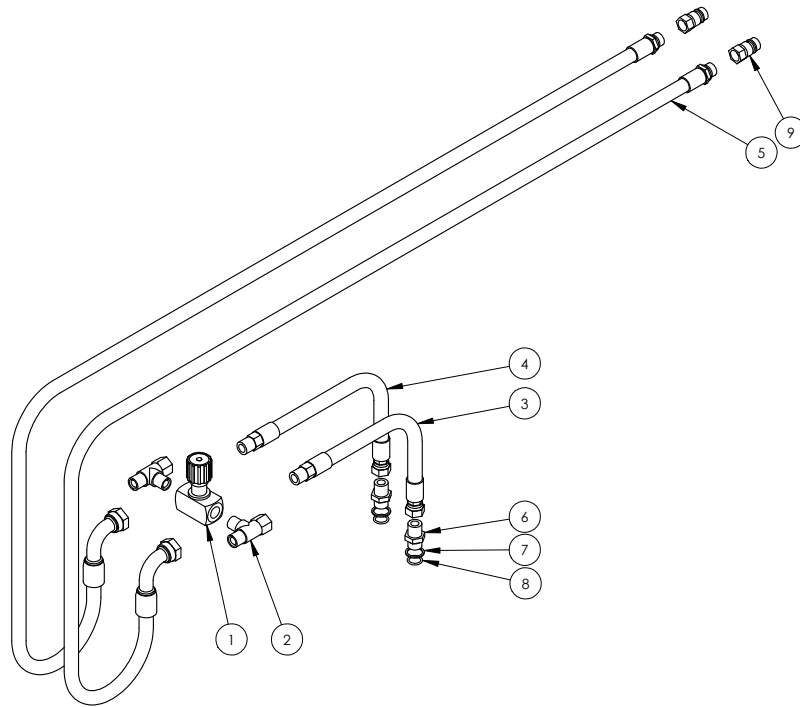
ZETA 260 MI-1™

Pump - Zeta 260 MI Hydraulic Drive



ITEM NO.	PART NUMBER	DESCRIPTION	QTY.
1	GA5054500	Pump Zeta 260 MI-I	1
2	GA5047515	motor hydraulic 80cc/rev	1
3	GA5000587	Washer HD ZP 12mm	2
4	GA5000575	M12 Spring washer SS	2
5	GA5000321	M12x40 unbrako	2
6	pump cover-RO250	Safety cover over RO 250 pump	1
7	1170171293	Pump RPM Sensor	1
8	GA5016169	Super Magnet	1
9	GA5011499	M8 Hex Nut ZP	2
10	GA5048655	M8x40 bolt	1
11	GA5000117	Washer 10mm SS Heavy duty	8
12	GA5065455	Bolt Gr8.8 M10x30	4
13	GA5000141	M10 Nyloc Nut	4
14	GA5067186	Hose assembly kit hydraulic drive suit hose support MY10	1

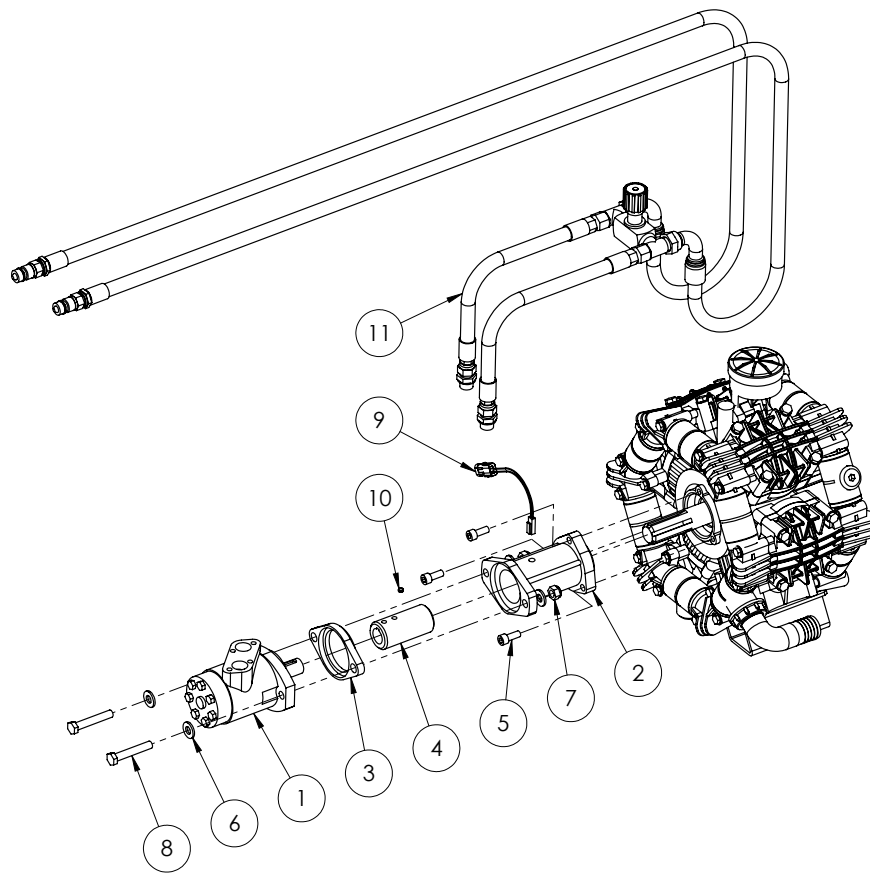
Hydraulic hose assembly kit



GA5067185-EF Hydraulic Drive Kit

ITEM NO.	PART NUMBER	DESCRIPTION	QTY.
1	GA5018221	1/2" Needle Valve	1
2	S167-080808	TEE 1/2 BSPT M x M F	2
3	GA4922110	Short hydraulic pump hose	1
4	GA4922115	Short hydraulic pump hose	1
5	GA4922105	long hyd pump hose	2
	GA5067186-03	Hydraulic Line for Spray Pump	1
	T226-1212	Coupling 3/4" hose to 90 deg short bend 3/4" BSPP swivel female	1
6	S75-08-1	1/2" BSPP x 1/2" BSPT Hydraulic Fitting	2
7	36B-08	1/2" BSPP Retaining Ring	2
8	RO-BP08	1/2" BSPP O-Ring	2
9	R81-08M	Quick release coupling male 1/2"	2
	GA5052365	Green boot to suit hydraulic end	2

Hydraulic drive conversion kit

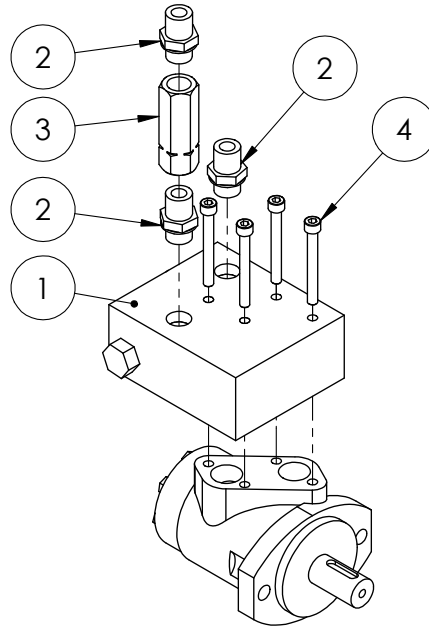


ITEM NO.	PART NUMBER	DESCRIPTION	QTY.
1	GA5047515	motor hydraulic 80cc/rev	1
2	F700416600 - adaptor	Adaptor hydraulic motor to UDOR	1
3	GA4552100	plate spacer suit UDOR pump adapter	1
4	F700416600 - socket	Hyd motor to pto converter with 2xgrub screws	1
5	M10x25 Unbrako	M10x25 Unbrako	3
6	GA5000587	M12 WASHER	4
7	GA5012461	M12 Nyloc nut Z/P	2
8	GA5000347	M12x70 HT ZP Bolt	2
9	1170159929 - cutdown	Pump RPM sensor cut down to suit kit	1
10	GA5016169	Super Magnet	1
11	GA5067186	Hose assembly kit hydraulic drive suit hose support MY10	1

For machines fitted with 70 series pump RPM monitors:

ITEM NO.	PART NUMBER	DESCRIPTION	QTY.
	90-02328	70 series RPM monitor & speed sensor - Complete	1
	16-40004	Teejet speed sensor	1

Pressure Flow Compensator



ITEM NO.	PART NUMBER	DESCRIPTION	QTY.
1	GA5049425	Manual flow control	1
2	S75-0808	1/2" BSPP x 1/2" BSPT Hydraulic Fitting w/ O-Ring @ Washer	3
3	GA5007060	Check Valve (45 LPM) 1/2 BSPP zero bar	1
4	GA5049430	SHCS M8 x 70 ZP GR12.9	4