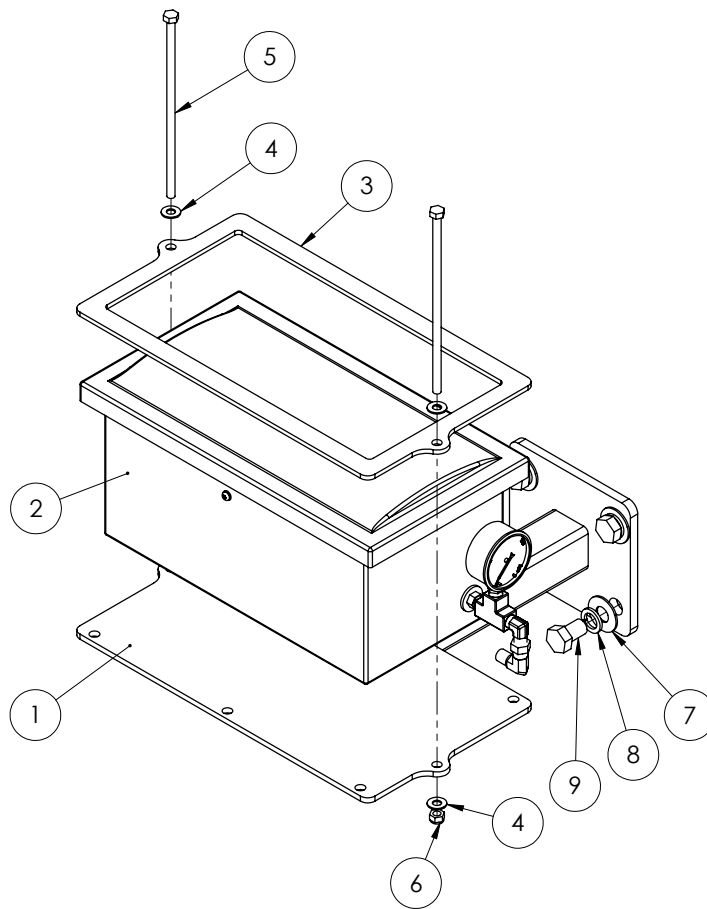


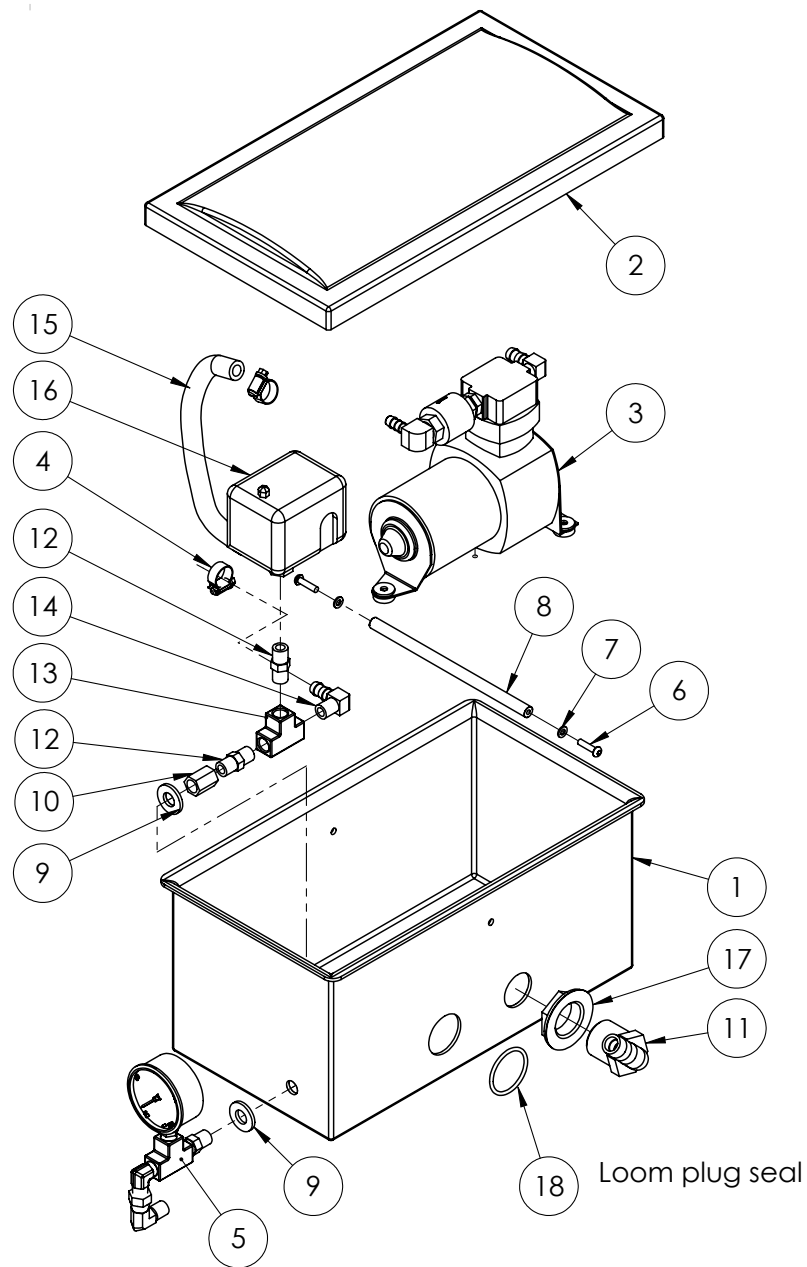
Chapter 4

RIGHT HAND POD



| ITEM NO. | PART NUMBER | DESCRIPTION | QTY. |
|----------|-------------|--|------|
| 1 | GA4657695 | Special EF Airbag Compressor Mount | 1 |
| 2 | GA4903147 | Pre Assm Air Bag Compressor Box 2010 | 1 |
| 3 | F70254A | Top retaining plate for plastic foam/air box GA5066955 | 1 |
| 4 | GA5004883 | Washer 8mm HD | 4 |
| 5 | MACH0041 | M8x210 Bolt for foam marker box | 2 |
| 6 | GA5004917 | M8 Nyloc Nut | 2 |
| 7 | GA5001043 | M16 SS washer | 4 |
| 8 | GA5000961 | Washer 16mm Spring ZP | 4 |
| 9 | GA5000903 | M16x25 bolt | 4 |

Right Hand Pod - Internal Components



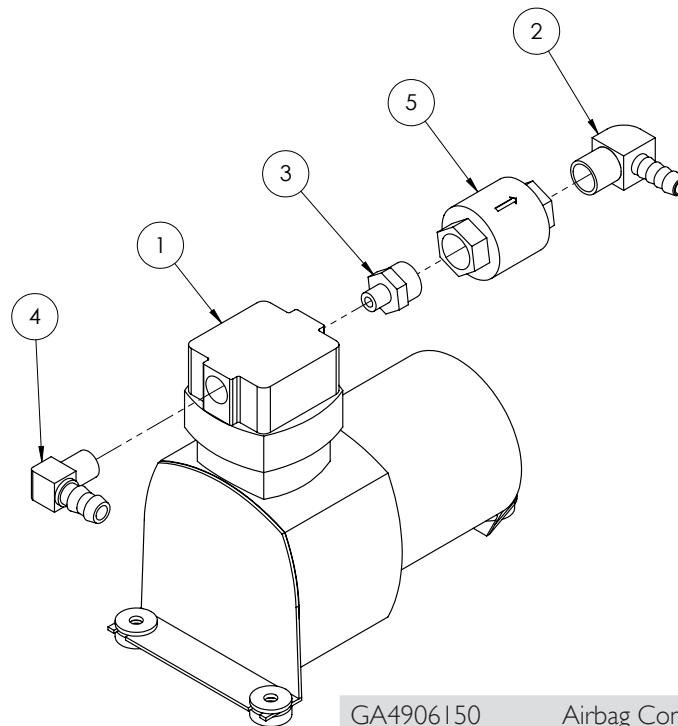
| ITEM NO. | PART NUMBER | DESCRIPTION | QTY. |
|----------|-------------|---|------|
| 1 | GA5066955 | Foam Marker Box Bottom | 1 |
| 2 | GA5066955-2 | Foam Marker Box Lid | 1 |
| 3 | GA4906150 | Air bag compressor only sub assembly | 1 |
| 4 | GA5000469 | 1/2" SS hose clamp | 2 |
| 5 | GA4906170 | Air bag compressor box gauge sub assem suit special | 1 |
| 6 | GA5003581 | M5x20mm Button head soc SS | 2 |
| 7 | GA5003983 | M5 washer ss | 2 |
| 8 | GA4572130 | Rod suit foam marker box | 1 |

Continued over page

Right Hand Pod - Internal Components

| ITEM NO. | PART NUMBER | DESCRIPTION | QTY. |
|----------|--------------|---------------------------------------|------|
| 9 | GA5000587 | M12 WASHER | 2 |
| 10 | GA5066940 | 1/4" BSPP Socket Brass | 1 |
| 11 | HB100-075-90 | 1"MPT X 3/4"Hose Shank-90 Deg | 1 |
| 12 | GA5050285 | 1/4" Brass Nipple | 2 |
| 13 | GA5048300 | 1/4 Female brass Tee | 1 |
| 14 | GA5049290 | Elbow brass 3/8 x 1/4 | 1 |
| 15 | GA5051025 | Multi purpose 3/8" ID Red cut 220mm | 1 |
| 16 | GA5016221 | Switch differential Press.T/S Air Bag | 1 |
| 17 | 2052040 | Back Nut 1" | 1 |
| 18 | GA5065820 | O-Ring 38x3 FPM 75 suit AS40 | 1 |

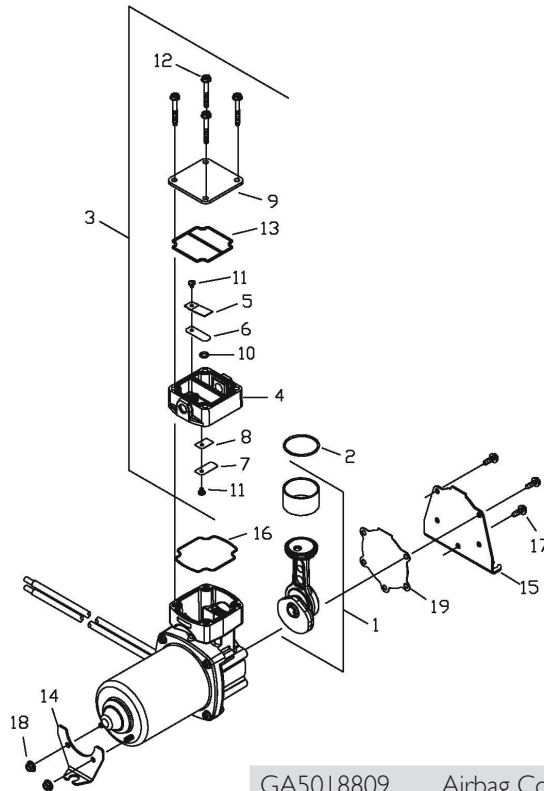
Airbag Compressor



GA4906150 Airbag Compressor

| ITEM NO. | PART NUMBER | DESCRIPTION | QTY. |
|----------|-------------|---------------------------------|------|
| 1 | GA5018809 | Compressor suit airbag 319 | 1 |
| 2 | GA5070730 | Elbow Brass 3/8 x 3/8 | 1 |
| 3 | GA5020690 | Nipple reducing Brass 1/8"x3/8" | 1 |
| 4 | GA5049290 | Elbow brass 3/8 x 1/4 | 1 |
| 5 | GA5020010 | One way valve 3/8 york | 1 |

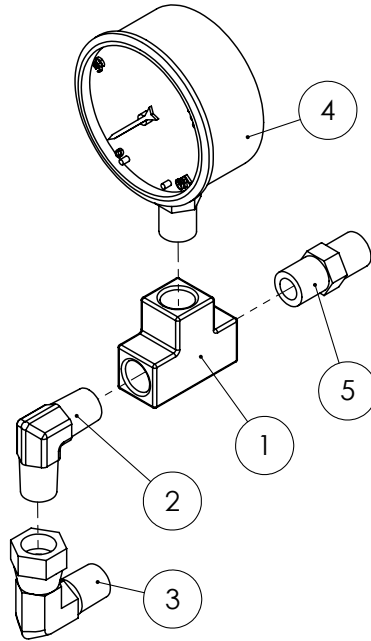
Airbag Compressor Parts



GA5018809 Airbag Compressor

| ITEM NO. | PART NUMBER | DESCRIPTION | QTY. |
|----------|-------------|-------------------------------------|------|
| 1 | | Connecting Rod & Eccentric Assembly | 1 |
| 2 | | O Ring - Sleeve | 1 |
| 3 | | Head Assembly | 1 |
| 4 | | Head | 1 |
| 5 | | Valve Restraint | 1 |
| 6 | | Valve Flapper - Exhaust | 1 |
| 7 | | Valve Flapper - Intake | 1 |
| 8 | | Valve Shim | 1 |
| 9 | | Head Plate | 1 |
| 10 | | O Ring - Valve Flapper | 1 |
| 11 | | Screw - Valve Flapper | 2 |
| 12 | | Screw - Head | 4 |
| 13 | | O Ring Gasket | 1 |
| 14 | | Bracket 12V | 1 |
| 14 | | Bracket 24V | |
| 15 | | Bracket | 1 |
| 16 | | O Ring Gasket - Housing | 1 |
| 17 | | Screw - Bracket | 5 |
| 18 | | Nut - Bracket | 2 |
| 19 | | Gasket - Bracket | 1 |

Air Compressor Gauge



GA4906170 Air Compressor Gauge

| ITEM NO. | PART NUMBER | DESCRIPTION | QTY. |
|----------|-------------|-----------------------------|------|
| 1 | GA5048300 | 1/4 Female brass Tee | 1 |
| 2 | S49-0404 | 1/4" 90 Deg Elbow | 1 |
| 3 | S82-0404 | 0404 BSPTM BSPFFS 90° Elbow | 1 |
| 4 | GA4948470 | Small Face Gauge 160 psi | 1 |
| 5 | GA5050285 | 1/4" Brass Nipple | 1 |

