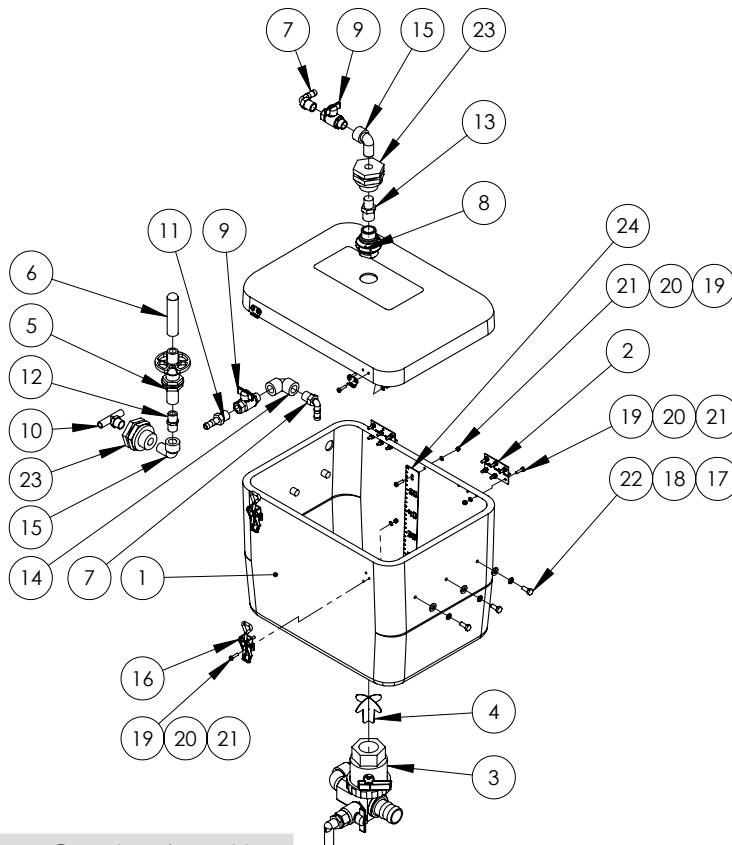


Chapter 8

INDUCTION HOPPER

Hopper Tank



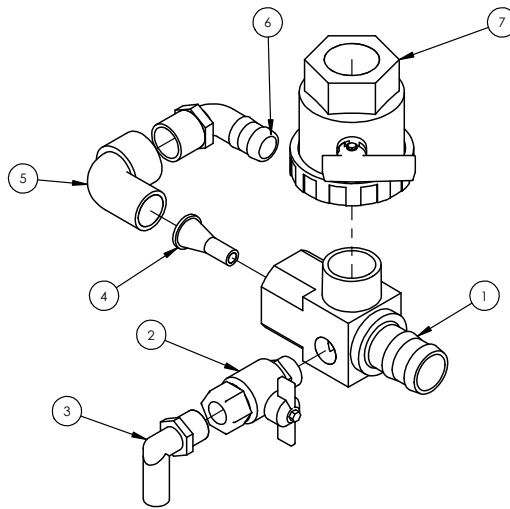
GA490038I-60-EF Complete Assembly

ITEM NO.	PART NUMBER	DESCRIPTION	QTY.
1	GA5070040	Hopper Tank And Lid - 60L	1
2	GA5006661	Hinge 76mm Butt Hinge SS	2
3	GA4903105	Induction Hopper Bottom	1
4	GA4657115	Induction hopper anti vortex cross	1
5	510100	Push down valve	1
6	510110	Tank Rinsing Nozzle 1/2" F thread	1
7	HB050-90	Hose Barb Elbow 1/2	2
8	L033A	Tank Rinsing Spray Nozzle	1
9	GA5020615	1/2" ball valve	2
10	T12T	barb male tee (1 x 1/2" thread, 2 x 1/2" barbs)	1
11	HB050	1/2" Hose Barb	1
12	NIP-050-SH	1/2" Short Poly Nipple	1

Hopper Tank

ITEM NO.	PART NUMBER	DESCRIPTION	QTY.
13	RN075050	Reducing Nipple 3/4" x 1/2"	1
14	EL050-90	1/2" Female to Female Elbow	1
15	SL050-90	1/2" Street Elbow	2
16	GA5007071	Latch Chemical Induction Hopper Lid	2
17	GA5004883	Washer 8mm HD	6
18	GA5004919	M8 Spring washer SS	6
19	GA5003976	M5 x 20mm Pan head Screw	23
20	GA5003983	M5 washer ss	23
21	GA5003975	M5 Nyloc nut SS	23
22	GA5004085	M8x20 bolt	6
23	TF050	1/2" Poly Bulkhead	2
24	GA4522296	Hopper level indicator 60L	1
25	GA5016473	Foam Tape - Cut 2000 long (not shown)	1

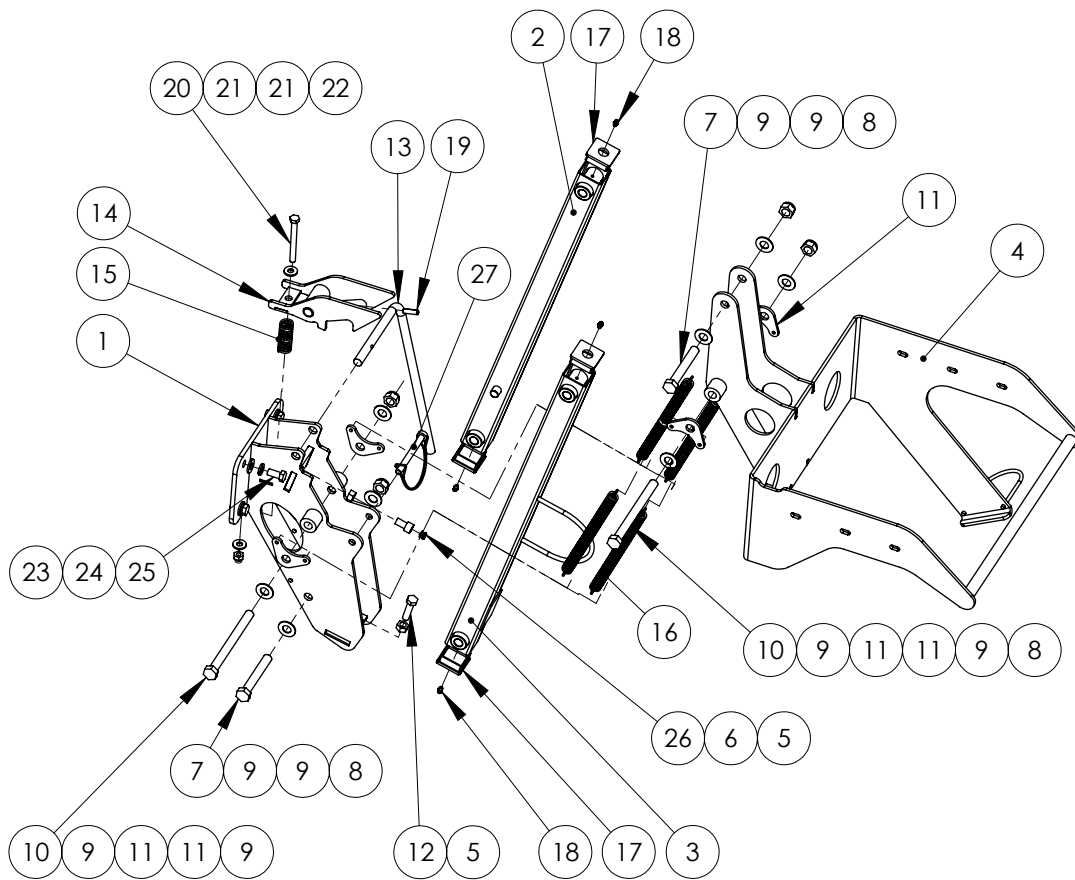
Hopper Tank - Bottom



GA4903105 Complete Assembly

ITEM NO.	PART NUMBER	DESCRIPTION	QTY.
1	L056A	Hopper Bottom	1
2	GA5018315	Ball Valve Male / Female TEE 3/4"	1
3	HB075-90	Elbow male 3/4"	1
4	GA4572150	Hopper jet tapered 7mm	1
5	SL100-90	Street Elbow 1" Poly	1
6	HB100-90	Hose barb 90 degree 1" Banjo	1
7	UV150FP	Ball Valve Banjo 1 1/2"	1

Hopper Frame



ITEM NO.	PART NUMBER	DESCRIPTION	QTY.
1	GA4653420	INDUC HOP chassis MNT ADV	1
2	GA4653440	INDUC HOP arm UPR ADV	1
3	GA4653445	INDUC HOP arm LWR ADV	1
4	GA4656855	INDUC HOP tank support 08 Adv	1
5	GA5000559	M12 Plain nut	2
6	GA5050330	M12x20 unbrako	1
7	GA5000855	Bolt M16 x 110 ZP GR8.8	2
8	GA5001029	M16 Nyloc nut	4
9	GA5001009	M16 washer Zink coated	8
10	GA5000879	Bolt M16 x 180 ZP GR8.8	2
11	GA4522294	Prairie EF induction hopper x2 Spring mount	4
12	GA5000327	Set Screw M12 x 45 ZP GR8.8	1
13	GA4699435	Latch handle SP hopper 201 I	1
14	GA4653490	INDUC HOP latch ADV	1
15	GA5007329	Compression spring gold	1
16	GA5007073	Chemical Induction Hopper Spring	4
17	GA5003783	50x50mm 0.8-2.5 Insert Cap	4

ITEM NO.	PART NUMBER	DESCRIPTION	QTY.
18	GA5012203	Grease Nipple 1/4" UNF Short	4
19	GA5075130	Roll pin M8 x 30mm coated	1
20	GA5011139	M10x100 Bolt	1
21	GA5000117	Washer 10mm SS Heavy duty	2
22	GA5000141	M10 Nyloc Nut	1
23	GA5000587	M12 WASHER	4
24	GA5000575	M12 Spring washer SS	4
25	GA5000295	Set screw HT M12 x 25	4
26	GA5052905	Insert t/s 12mm Hole	1
27	GA5048380	Pin shaft locking 11mm	1