

CHAPTER 10

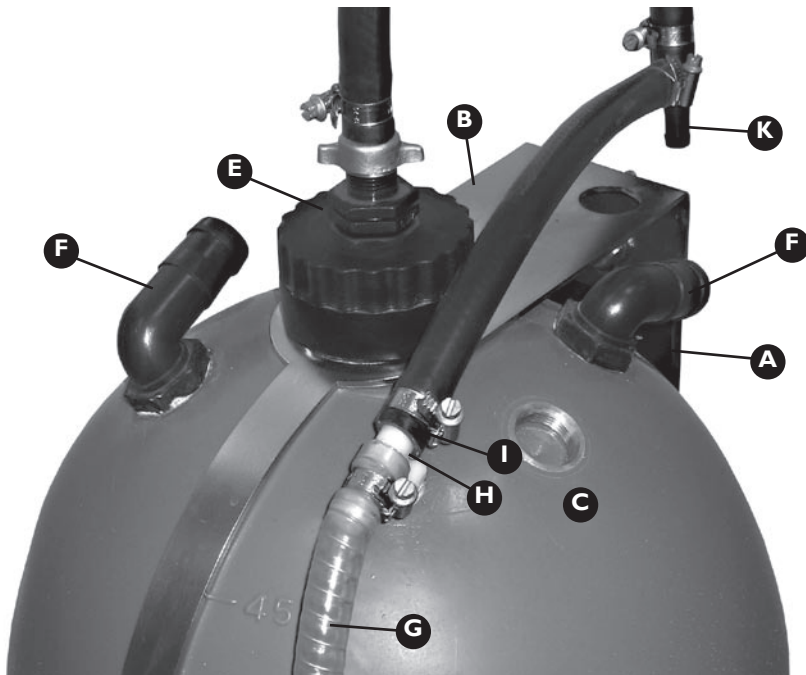
TRANSCAL



Transcal Tank Components.....	10-2
Transcal Tap Assembly.....	10-3
Transcal Tank Cap.....	10-4
Transcal Drain Hose.....	10-4
Transcal Enviro Rinse Coupling ...	10-5

Revision No: 00 15/6/09

TRANSCAL TANK COMPONENTS



Assembly Part No GA4903092*

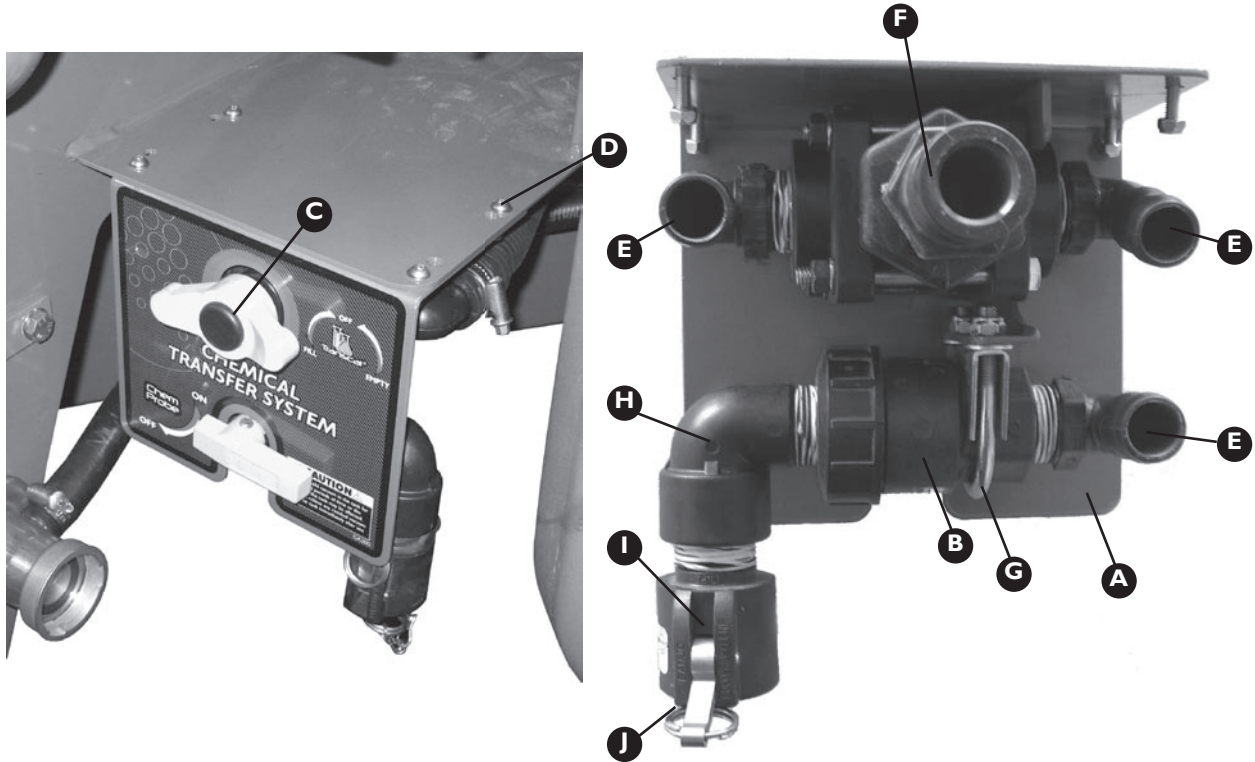
Item	Part No	Description	Quantity
A	F70608A	Transcal mounting bracket	1
B	F70623A	Bottle strap 3mm	1
C	GA4901047	Tank 45L transcal	1
D-1	GA5004737	M8 x 70mm Bolt	1
D-2	GA5003643	8mm Washer SS	2
D-3	GA5004917	M8 Nyloc Nut	1
E	GA4903050	Pre-assembly Cap	1

Item	Part No	Description	Quantity
F	HB100-90	1" Hose barb elbow	2
G	HOSI2WSIGHT	Sight Tube with wire	720mm
H	T12T	1/2" Tee barb with thread	1
I		1/8" Hose Barb [#]	1
J	HB050-90	Hose barb elbow 1/2"	1
K	T12	Tee 1/2"	1
L	HBFI00	Hose barb female 1"	1

* Note: System is located on H-Frame.

Note: Barb removed from item to act as restricter.

TRANSCAL TAP ASSEMBLY

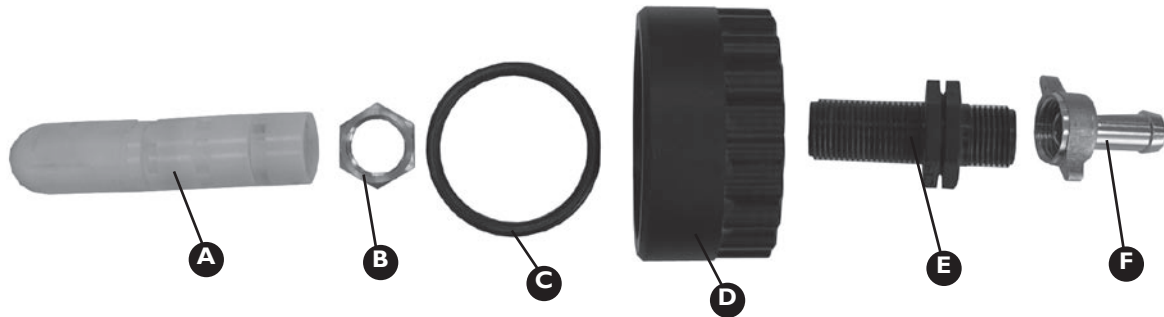


Assembly Part No GA4903088

Item	Part No	Description	Quantity
A	GA4656470	Transcal Tap Mounting Plate	1
B	UVI00FP	1" Ball Valve	1
C	VI00BL	1" 3-Way Ball Valve (Bottom Load)	1
D-1	GA5004053	M6 x 20mm Button Head Cap Screw	4
D-2	GA5048115	M8 Nyloc Nut	4
D-2	GA5004437	6mm Washer	8
E	HBI00-90	1" Hose Barb Elbow	3

Item	Part No	Description	Quantity
F	I00F	1" Male Camlock	1
G-1	GA5006705	2" Exhaust Clamp	1
G-2	GA	M8 Nyloc Nut	2
G-3	GA	8mm Washer	2
H	SLI00-90	1" Elbow	1
I	I00B	1" Female Camlock	1
J	I00PL	Plug for Female Camlock	1

TRANSCAL TANK CAP



Assembly Part No GA4903050

Item	Part No	Description	Quantity
A	510110	Rinsing Nozzle	1
B	GA5070110	1/2" Brass Lock Nut	1
C	GA5009187	O-ring	1
D	L055A	Transcal Cap	1
E	2502021	1/2" Nipple	1
F	GA5012375	1/2" Brass Tail with Nut	1

TRANSCAL DRAIN HOSE

Assembly Part No GA4903143

Item	Part No	Description	Quantity
A	HOS25PVC	25mm PVC Hose	1055mm
B	100C	1" Female Camlock	1
C	GA5001681	Hose Clamp	1



TRANSCAL ENVIRO RINSE COUPLING

Item	Part No	Description	Quantity
A-1	GA5004063	M6 x 20mm Bolt	3
A-2	GA5048115	M6 Nyloc Nut	3
A-3	GA5004437	6mm Washer	6
B	GA5018800	Coupling	1

