

CHAPTER 18

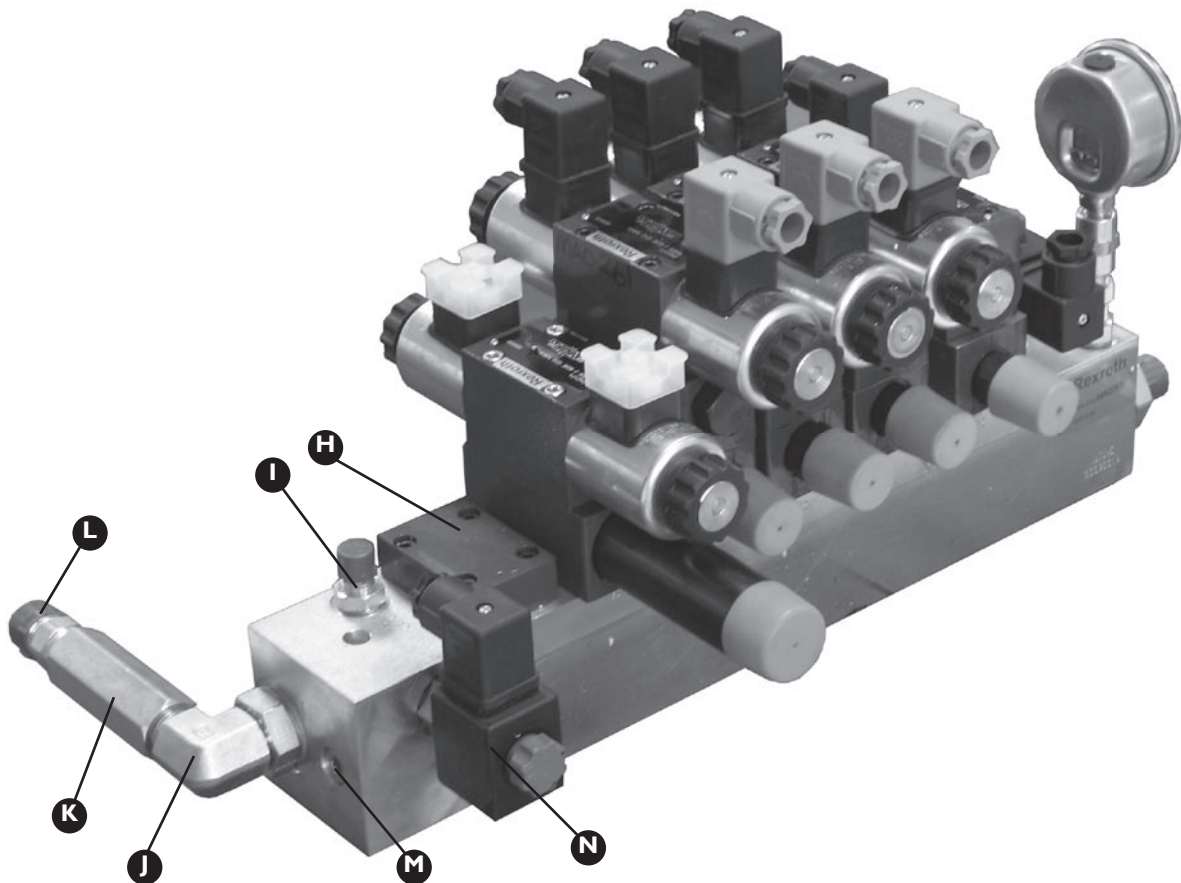
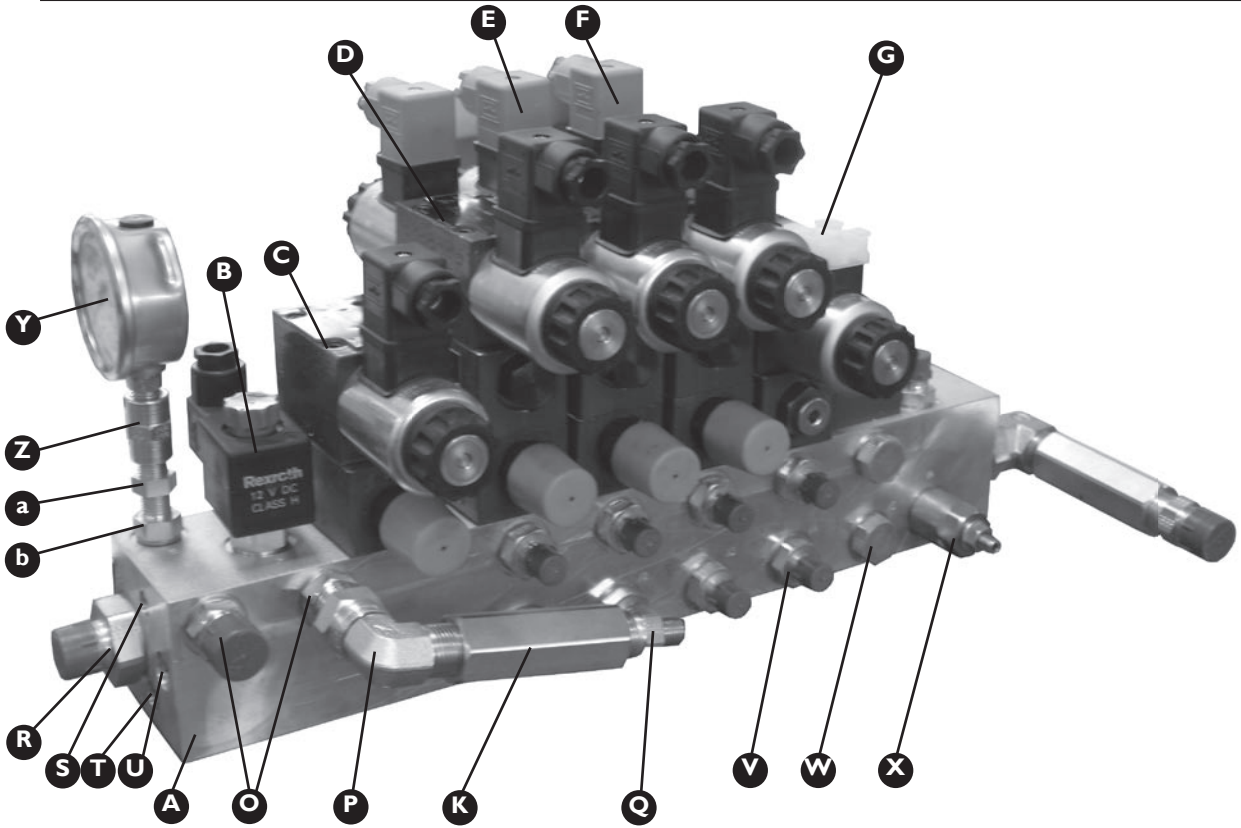
HYDRAULICS



Spool Valve Block	18-2
Complete Spool Valve Units	18-3
Hydraulic O-Rings and Retaining Washers	18-4
Fold and Tilt Hydraulic Stacks	18-5
Lift Up Hydraulic Stack	18-6
Bi-Fold Hydraulic Stack	18-6
Steering Hydraulic Stack	18-7
Blanking Cap	18-7
Fill Pump Spool Valve	18-8
Quick Release Couplings	18-9
Hose ID Tags	18-9
Hydraulic Hoses	18-10

Revision No: 01 22/7/09

SPOOL VALVE BLOCK



SPOOL VALVE BLOCK

Item	Part No	Description	Quantity	Item	Part No	Description	Quantity
A	GA5047500	Spool Valve Block	1	O	S75-0806	1/2"BSPT - 3/8"BSPP Straight	
B	GA5047510	Lift Down Controller	1			Hydraulic Nipple ^{#1}	2
C		Lift Up Hydraulic Stack	1	P	S82-0808	1/2"BSPT - 1/2"BSPP Swivel	
D	GA5047652	Boom Fold Hydraulic Stack	1			90° Hydraulic Elbow	1
E	GA5047652	Tilt Right Hydraulic Stack	1	Q	S27-0804	1/2"BSPT - 1/4"BSPT Straight	
F	GA5047652	Tilt Left Hydraulic Stack	1			Hydraulic Nipple	1
G	GA5047654	Bi-Fold Hydraulic Stack	1	R	S75-0812	1/2"BSPT - 3/4"BSPP Straight	
H		Hydraulic Stack Blank*	1			Hydraulic Nipple ^{#1}	1
I-1	S75-0404	1/4"BSPT - 1/4"BSPP Straight		S			
		Hydraulic Nipple ^{#1#2}	1	T			
	S73-04	1/4"BSPP Hydraulic Plug ^{#1#2}	1	U			
I-2	GA5047629	0.6mm Load Sense Orifice ^{#3}	1	V	S75-0406	1/4"BSPT - 3/8"BSPP Straight	
J	S77-0812	1/2"BSPT - 3/4"BSPP 90°				Hydraulic Nipple ^{#1}	8
		Hydraulic Elbow ^{#1}	1	W	S73-06	3/8"BSPP Hydraulic Plug ^{#1}	2
K	GA5007060	1/2" Hydraulic Check Valve	1	X	GA5047645 ^{#4}	Pressure Relief Valve	1
L	S27-0808	1/2"BSPT - 1/2"BSPT Straight		Y	GA5013423	3500PSI Pressure Gauge	1
		Hydraulic Nipple	1	Z	S26-0404	1/4"BSPT Female Socket	1
M				a	35B-04	1/4"BSPP Lock Nut	1
N	GA5047646	Open Centre Solenoid	1	b	S44-0404	1/4"BSPP Straight Hydraulic	
	GA5047647	Closed Centre Solenoid	1			Nipple [#]	1

* A blanking cap is shown in the picture, but this is the port used if the sprayer has steering. If so this cap is replaced the Steering Hydraulic Stack.

^{#1} This fitting is supplied with o-ring and retaining washer, but these parts can be purchased seperately. For these parts refer to page 18-4.

^{#2} Nipple is fitted to closed centre models and plug is fitted to open centre models.

^{#3} Not Fitted on open centre models.

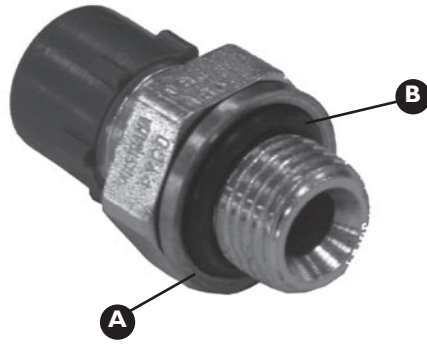
^{#4} This part Number used from 3/3/08 on before this GA5047597 was used.

COMPLETE SPOOL VALVE UNITS

Part No	Description
GA5047683	Manifold Assembly, Closed Centre, Lift-Fold-Tilts-Bi Fold-Unloader
GA5047684	Manifold Assembly, Closed Centre, Lift-Fold-Tilts-2 Blanks-Unloader
GA5047685	Manifold Assembly, Open Centre, Lift-Fold-Tilt-2 Blanks-Unloader
GA5047686	Manifold Assembly, Closed Centre, Lift-Fold-4 Blanks-Unloader
GA5047687	Manifold Assembly, Closed Centre, Lift-Fold-Bi Fold-3 Blanks-Unloader

Note: Complete Spool Valve Units come with all hydraulic stacks listed but no fittings in the block.

HYDRAULIC O-RINGS AND RETAINING WASHERS

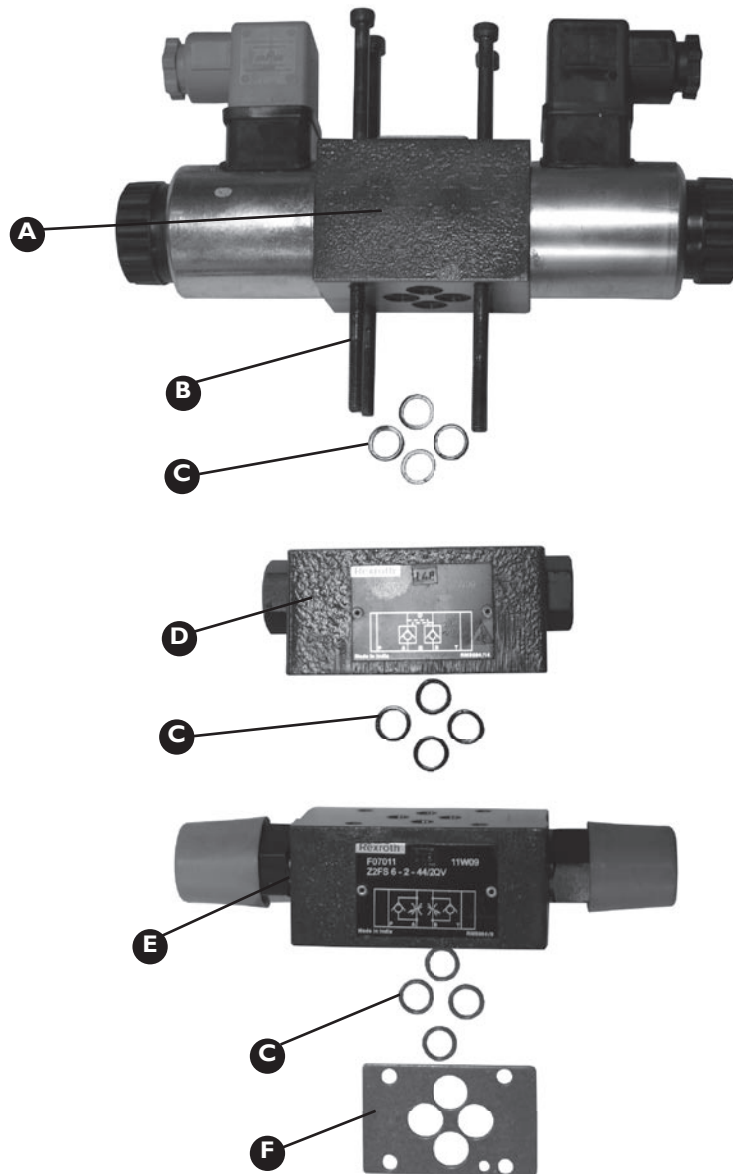


Item	Part No	Description
A	36B-04	1/4" Retaining Washer
	36B-06	3/8" Retaining Washer
	36B-08	1/2" Retaining Washer
	36B-12	3/4" Retaining Washer

Item	Part No	Description
B	RO-BP04	1/4" Hydraulic O-Ring
	RO-BP06	3/8" Hydraulic O-Ring
	RO-BP08	1/2" Hydraulic O-Ring
	RO-BP12	3/4" Hydraulic O-Ring

Note: O-Ring are only sold in packs of 10.

FOLD & TILT HYDRAULIC STACKS



Stack Assembly Part No: GA5047652

Item	Part No	Description	Quantity
A	GA5017387	12V J-Spool Solenoid*	1
B	GA5048570	M5 x 130 Cap Screw	4
C	GA5047627	Seal Replacement Kit ^{#1}	3
D	GA5017335	Modluar Check Valve*	1
E	GA5047581	Hydraulic Flow Controller* 1	1
F	GA5047615	O-Ring Retaining Plate	1

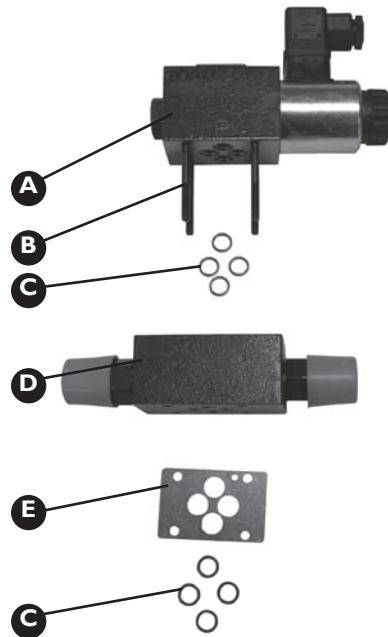
*When purchased these parts come with a seal kit when ordered

^{#1} Kit Contains 4 replacement O-Rings

LIFT UP HYDRAULIC STACK

Item	Part No	Description	Quantity
A	GA5017387	12V Single Acting J-Spool*	1
B	GA5067050	M5 x 90mm Cap Screw	4
C	GA5047627	Seal Replacement Kit#	2
D	GA5047594	Hydraulic Flow Controller* I	1
E	GA5047615	O-Ring Retaining Plate	1

*When purchased these parts come with a seal kit when ordered
 # Kit Contains 4 replacement O-Rings

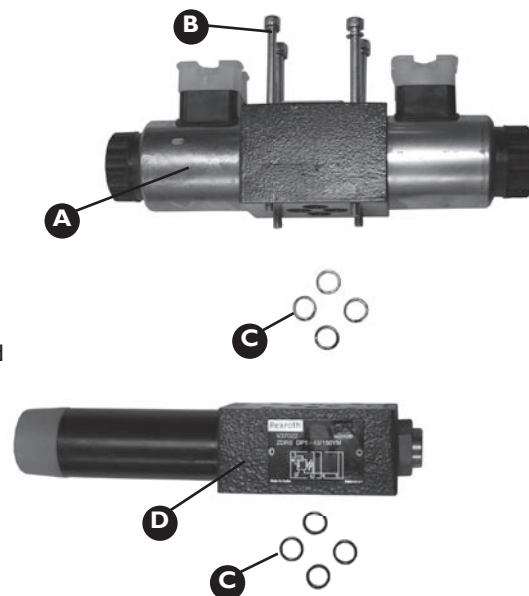


BI-FOLD HYDRAULIC STACK

Complete Stack Part No: GA5047654

Item	Part No	Description	Quantity
A	GA5017387	12V J-Spool Solenoid*	1
B	GA5067050	M5 x 90mm Cap Screw	1
C	GA5047627	Seal Replacement Kit#	2
D	GA5017373	Pressure Reducing Valve-*	1

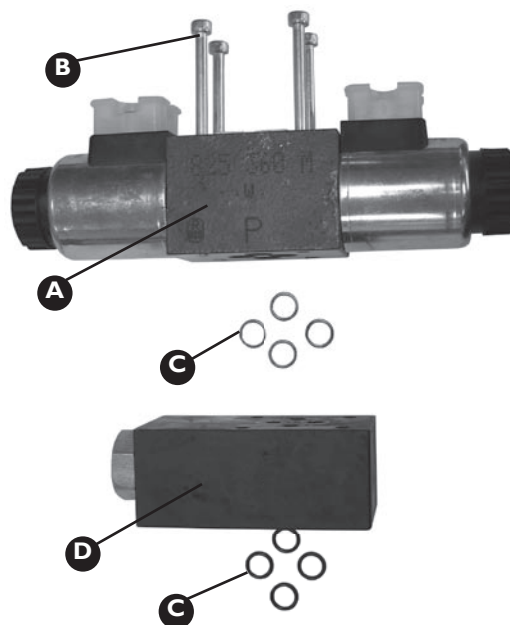
*When purchased these parts come with a seal kit when ordered
 # Kit Contains 4 replacement O-Rings



STEERING HYDRAULIC STACKS

Item	Part No	Description	Quantity
A	GA5047666	All Ports Blocked	
		Proportional Soleniod*	1
B	GA5067050	M5 x 90mm Cap Screw	4
C	GA5047627	Seal Replacement Kit#	2
D	GA5045065	Load Sense Shuttle*	1

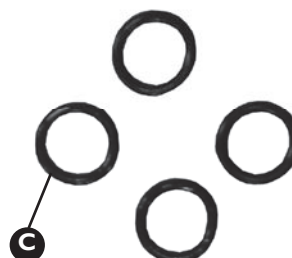
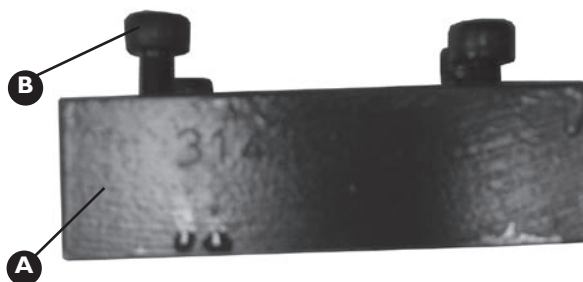
*When purchased these parts come with a seal kit when ordered
 # Kit Contains 4 replacement O-Rings



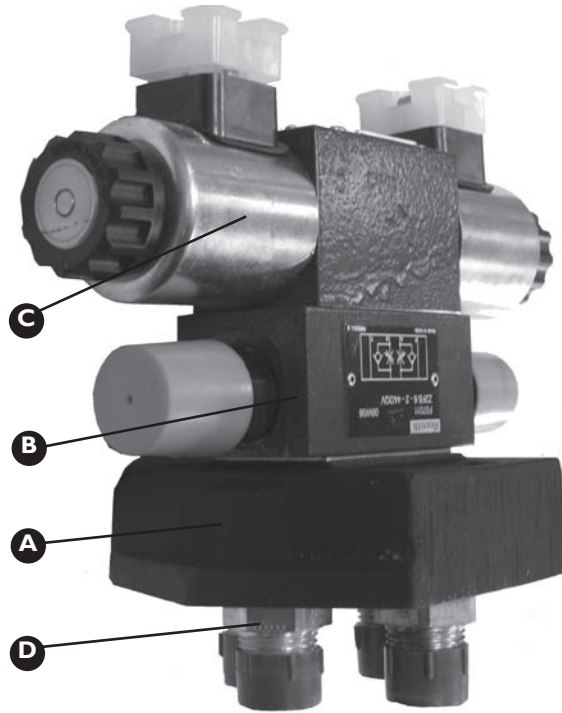
HYDRAULIC BLANKING CAP

Item	Part No	Description	Quantity
A	GA5047335	Blanking Plate*	1
B	GA5020520	M5 x 20mm Cap Screw	4
C	GA5047627	Seal Replacement Kit#	1

*When purchased these parts come with a seal kit when ordered
 # Kit Contains 4 replacement O-Rings

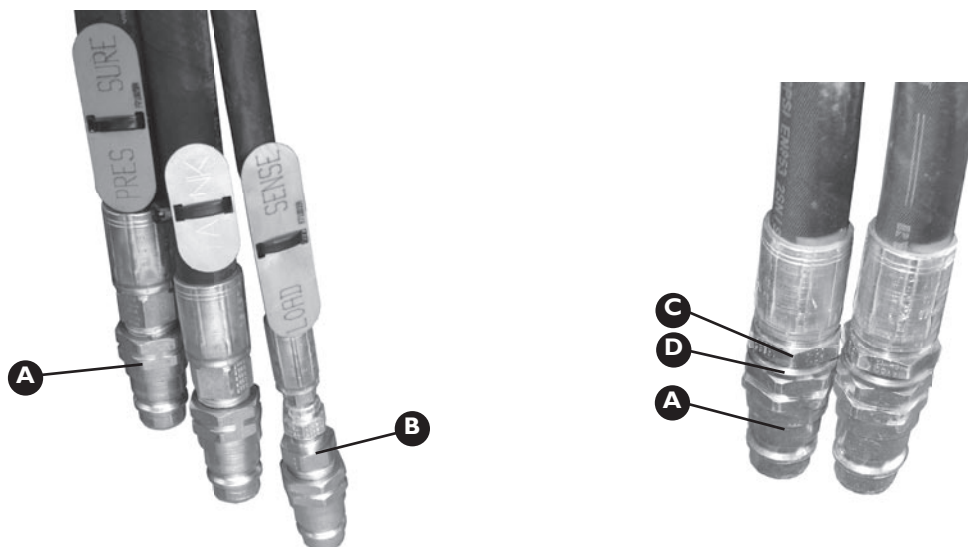


FILL PUMP SPOOL VALVE



Item	Part No	Description	Quantity
A	GA5016139	Base Plate	1
B	GA5047581	Hydraulic Flow Controller	1
C	GA5017387	C-Top	1
D	S75-0808	Hydraulic Fitting	4

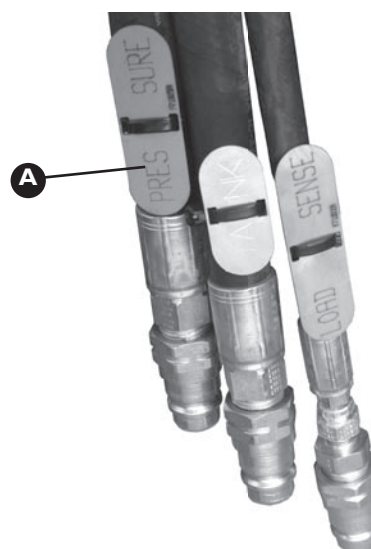
QUICK RELEASE COUPLINGS



Item	Part No	Description	Quantity
A	R81-08M	1/2"BSPP Female Push/Pull Quick Release Coupling	3
B	S27-0804	1/2"BSPT-1/2"BSPT Straight Hydraulic Nipple	1
C	35B-08	1/2"BSPP Lock Nut	2
D		Refer to page 18-4	

HOSE ID TAGS

Item	Part No	Description
A	F71020A	Pressure Tag
	F71021A	Tank Tag
	F71022A	Load Sense Tag
	F71023A	Fold In Tag
	F71024A	Fold Out Tag
	F71025A	Raise Lower Tag
	F71026A	Brakes Tag
	F71018A	Bi-Fold In Tag
	F71019A	Bi-Fold Out Tag
	F70134A	Tilt Left Tag
	F70135A	Tilt Right Tag
	TAG-FP	Fill Pump Tag



HYDRAULIC HOSES

Part No	Description
GA5067890	1/2" Hydraulic Hose, Tractor to tee under right hand pod (can be used for pressure or tank)
GA5067893	1/4" Hydraulic Hose, Load sense line (4-5000L)
GA5067891	1/4" Hydraulic Hose, Load sense line (6500L)
GA5067909	1/2" Hydraulic Hose, Pressure line to fill pump spool valve
GA5067910	1/2" Hydraulic Hose, Tank line to fill pump spool valve
GA5067892	1/2" Hydraulic Hose, Tee to spool valve pressure line (4-5000L)
GA5067907	1/2" Hydraulic Hose, Tee to spool valve pressure line (6500L)
GA5067905	1/2" Hydraulic Hose, Tee to spool valve tank line (4-5000L)
GA5067906	1/2" Hydraulic Hose, Tee to spool valve tank line (6500L)
GA5067906-1	1/2" Hydraulic Hose, Tee to spool valve tank line with ultraglide (6500L)
GA5067894	1/2" Hydraulic Hose, Spool valve to steering cylinder (RHS)
GA5067895	1/2" Hydraulic Hose, Spool valve to steering cylinder (LHS)
GA5067900	1/4" Hydraulic Hose, Spool valve to right fold cylinder
GA5067901	1/4" Hydraulic Hose, Spool valve to left fold cylinder
GA5067902	1/4" Hydraulic Hose, Fold cylinder cross over line
GA5067899	1/2" Hydraulic Hose, Spool Valve to accumulator manifold
GA5067898	1/2" Hydraulic Hose, Accumulator manifold to para lift cylinder
GA5067896	1/4" Hydraulic Hose, Spool valve to hydraulic tilt cylinder tilt up line
GA5067897	1/4" Hydraulic Hose, Spool valve to hydraulic tilt cylinder tilt down line
GA5067903	1/2" Hydraulic Hose, Fill pump spool valve to fill pump
GA5067904	1/2" Hydraulic Hose, Fill pump to fill pump tap
GA5067185-EF	Hose Kit for hydraulic pump on front of sprayer