

CHAPTER I

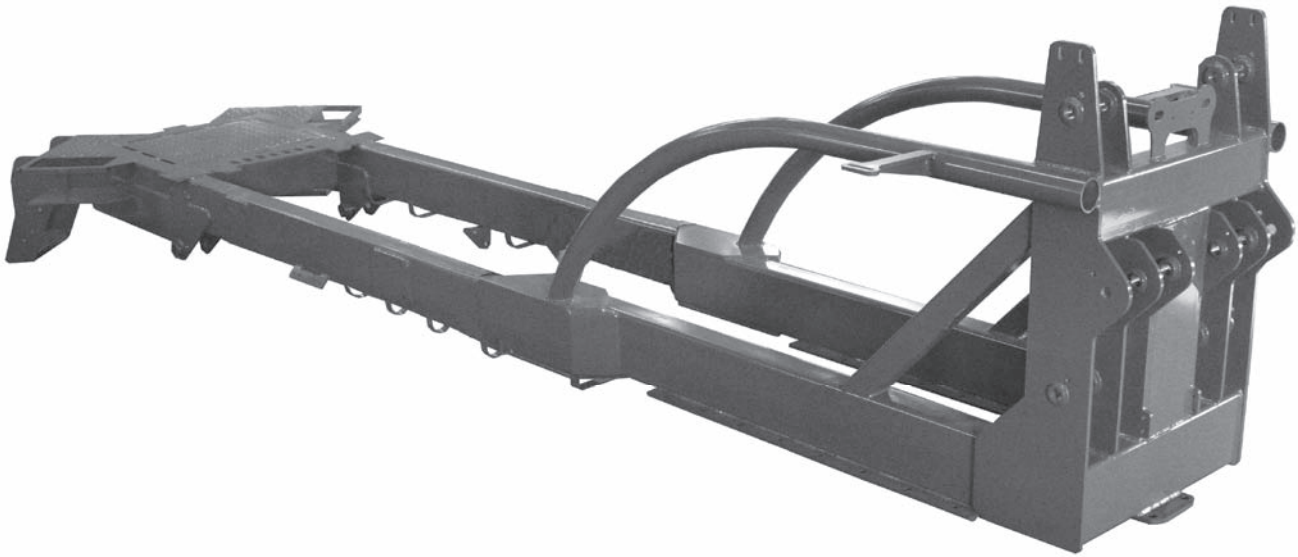
CHASSIS



Main Chassis	I-2
Pull.	I-3
Drum Storage Unit.....	I-4
Hand Rails.....	I-5
Jack	I-6
H-Frame	I-7
Boom Rests.....	I-8
Steps	I-11
Towbars.....	I-12

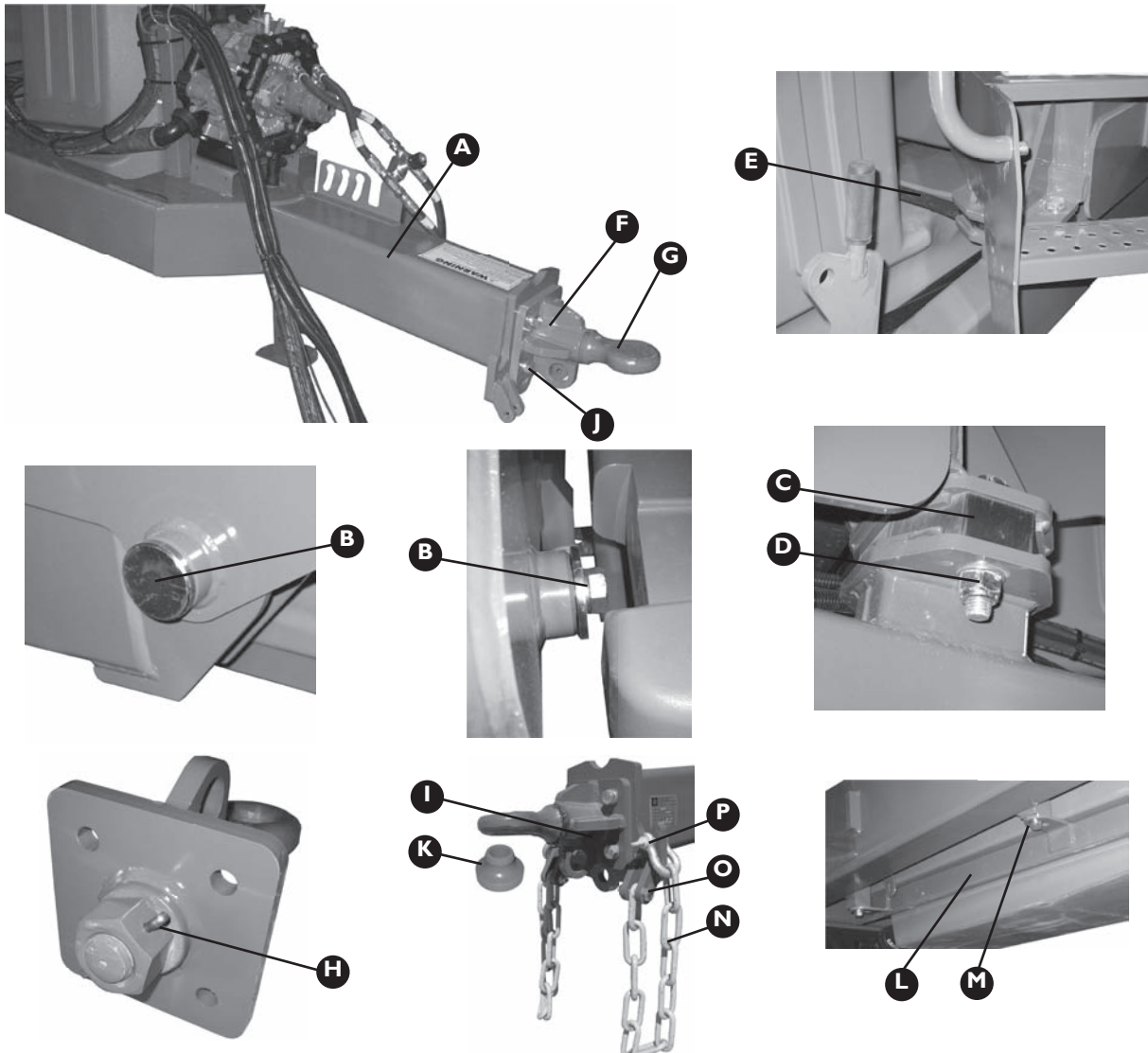
Revision No: 02 4/1/10

MAIN CHASSIS



Part No	Description
GA4652260	4/5000L Chassis
GA4652265	6500L Chassis

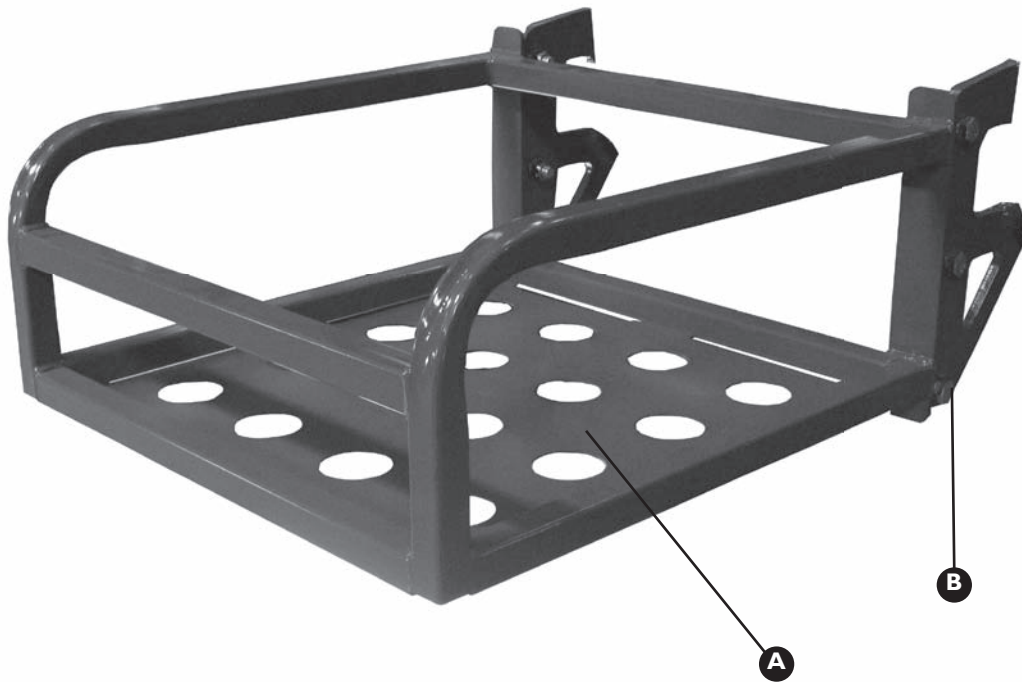
PULL



Item	Part No	Description	Quantity
A	GA4652445	Pull	1
B-1	PCH-019MACH	Large Pull Pin	2
B-2	GA5011321	M20 x 50mm Bolt (ZP)	2
B-3	L073A	Large Washer	2
B-4	GA5001721	20mm Spring Washer	2
C	GA5061070	Black Urethane Spacer	2
D-1	GA5048355	M20 x 100mm Bolt (ZP)	4
D-2	GA5048125	M20 Nyloc Nut	4
D-3	GA5001741	20mm Washer S/S	8
E	GA4522385	Rinse Tank Retainer Strap	1
F	GA4652486	Tow Eye Housing	1
G	GA5016243	50mm Tow Eye with Nut	1
H	GA5051385	M8 x 125mm Split Pin	1
I	GA5050450	6mm Grease Nipple	1

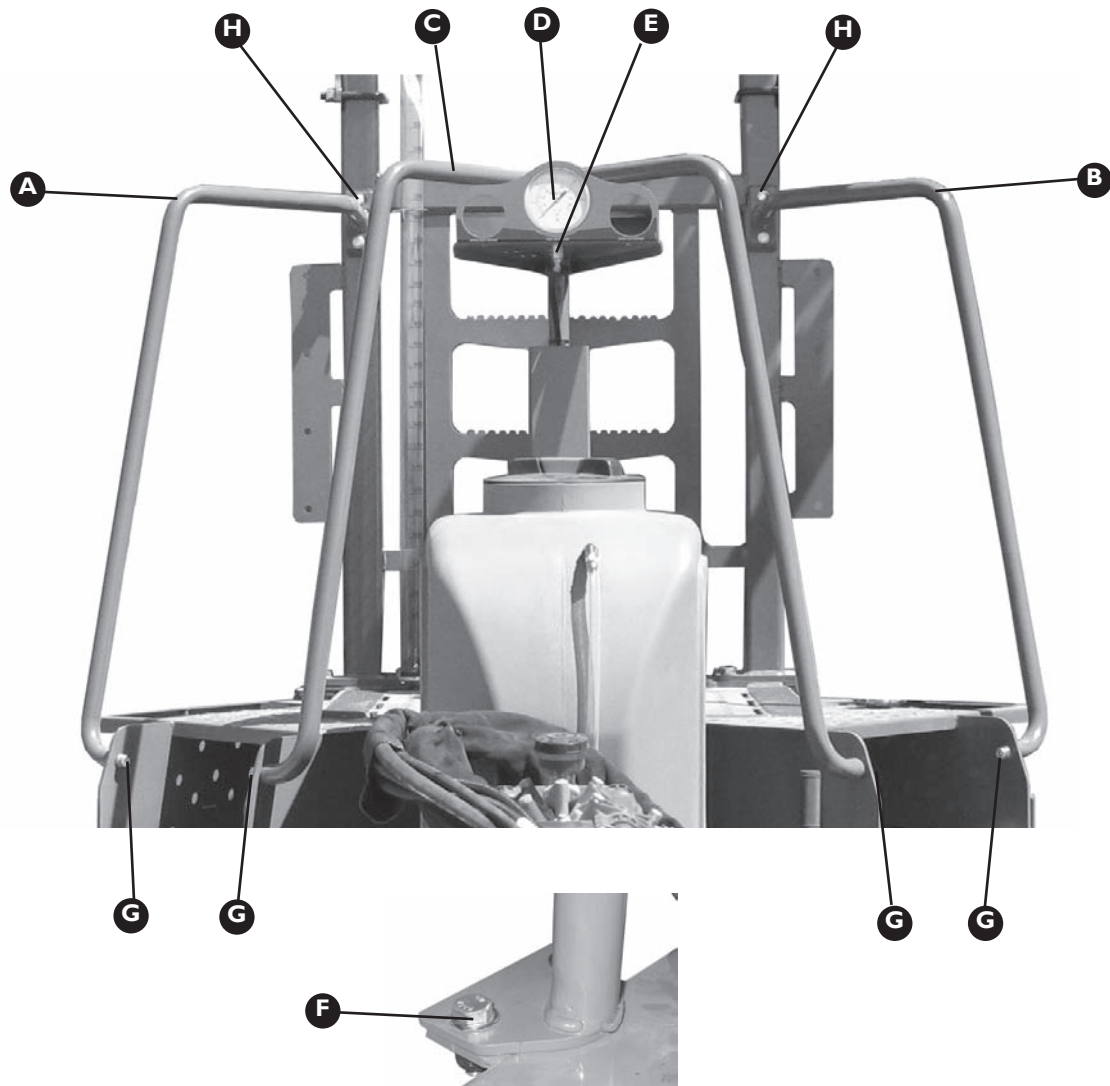
Item	Part No	Description	Quantity
J-1	GA5001565	M20 x 70mm Bolt (ZP)	4
J-2	GA5001721	20mm Spring Washer	4
J-3	GA5001741	20mm Washer S/S	4
K	GA4582455	1 1/4" Tow Eye Bush	1
L	GA4654320	Rinse Tank Cradle	1
M-1	GA5000311	M12 x 35mm Bolt	6
M-2	GA5000575	12mm Spring Washer	6
M-3	GA5000577	12mm Washer	6
N	GA5065030	Safety Chain (11 Links)	2
O-1	GA5011307	M16 x 80mm Bolt	2
O-2	GA5001029	M16 Nyloc Nut	2
O-3	GA5001043	16mm Washer	4
P	GA5000667	D Shackle	2

DRUM STORAGE UNIT



Item	Part No	Description	Quantity
A	GA4654461	Drum Storage Cradle	1
B-1	GA5000931	M16 x 50mm (ZP)	6
B-2	GA5001029	M16 Nyloc Nut	6
B-3	GA5001043	16mm S/S Washer	12

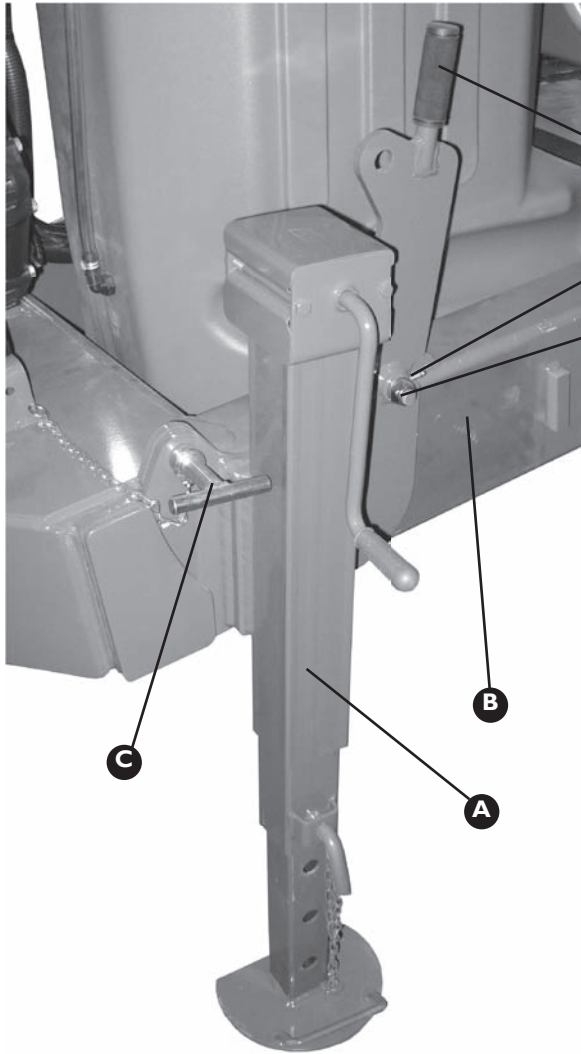
HAND RAILS



Item	Part No	Description	Quantity
A	GA4654640	Right Hand Rail	1
B	GA4654645	Left Hand Rail	1
C	GA4654651	Centre Hand Rail	1
D	GA4948460	Pressure Gauge (160 PSI)	1
E-1	GA5015469	1/4" Straight Brass Fitting	1
E-2	GA5016233	1/4" Brass Elbow Fitting	1
E-3	GA5066235	14mm Washer (ZP)	1
F-1	GA5000305	M12 x 30mm Bolt	2

Item	Part No	Description	Quantity
F-2	GA5012461	M12 Nyloc Nut	2
F-3	GA5000577	12mm S/S Washer	4
G-1	GA5000297	M12 x 25mm Cap Screw	4
G-2	GA5000575	12mm Spring Washer	4
G-3	GA5000577	12mm S/S Washer	4
H-1	GA5000305	M12 x 30mm Bolt	4
H-2	GA5012461	M12 Nyloc Nut	4
H-3	GA5000577	12mm S/S Washer	8

JACK



Item	Part No	Description	Quantity
A	GA4656436	Jack	1
B	GA4522297	Jack Wear Plate (S/S)	1
C	GA4903052	T-Bolt with Chain	1
D-1	GA5001029	M16 Nyloc Nut	1
D-2	GA5001043	16mm S/S Washer	1
E	GA5066700	Hand Grip	1
F	GA5009639	1/4" UNF Grease Nipple	1

H-FRAME



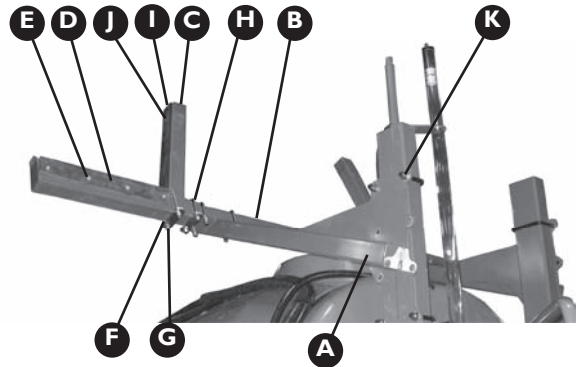
Item	Part No	Description	Quantity
A	GA4654180	H-Frame	1
B-1	GA5048975	Beacon Light	1
B-2	GA5020411	Screw in Beacon Insert	1
C-1	GA5000941	M16 x 60mm Bolt	4
C-2	GA5001029	M16 Nyloc Nut	4

Item	Part No	Description	Quantity
C-3	GA5001043	16mm S/S Washer	8
D-1	GA5000931	M16 x 50mm Bolt	4
D-2	GA5001029	M16 Nyloc Nut	4
D-3	GA5001043	16mm S/S Washer	8

BOOM RESTS

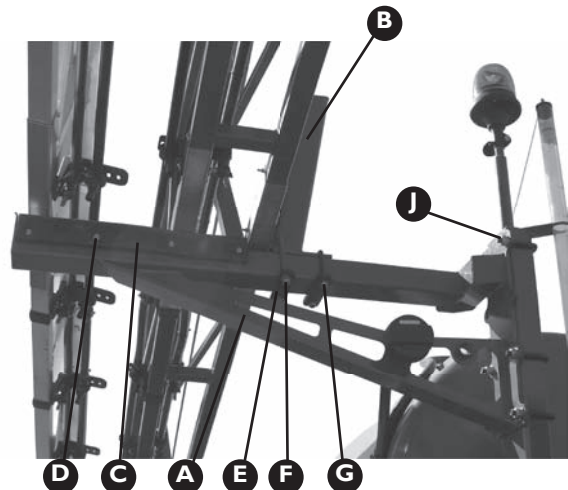
Boom rest to suit 18-24m delta boom (4000L only)

Item	Part No	Description	Quantity
A	GA4654216	Right Boom Rest	1
	GA4654217	Left Boom Rest	1
B	GA4654218	Boom Rest Cross Member	1
C	GA4654250	Boom Rest Upright	2
D	GA5014617	Boom Rest Rubber (350mm)	2
E	GA5000707	Tex Screw	16
F	F70107A	Upright Retainer Plate	4
G-1	GA5012461	M12 Nyloc Nut	4
G-2	GA500577	12mm Washer S/S	4
H-1	GA5011259	M12 x 76mm x 110mm U Bolt	6
H-2	GA5012461	M12 Nyloc Nut	12
H-3	GA5000577	12mm Washer S/S	12
I	GA5066630	Plastic Guide Plate	2
J	GA5051230	Screw	10
K-1	GA5011277	M16 x 127mm x 110mm U Bolt	4
K-2	GA5001029	M16 Nyloc Nut	8
K-3	GA5001043	16mm Washer S/S	8



Step back boom rest to suit wide centre (MK2)*

Item	Part No	Description	Quantity
A	GA4654242	Right Boom Rest	1
	GA4654243	Left Boom Rest	1
B	GA4654250	Boom Rest Upright	1
C	GA5014621	Boom Rest Rubber (550mm)	1
D	GA5000707	Tex Screw	8
E	F70107A	Upright Retainer Plate	2
F-1	GA5012461	M12 Nyloc Nut	2
F-2	GA500577	12mm Washer S/S	2
G-1	GA5011259	M12 x 76mm x 110mm U Bolt	1
G-2	GA5012461	M12 Nyloc Nut	2
G-3	GA5000577	12mm Washer S/S	2
H	GA5066630	Plastic Guide Plate [#]	1
I	GA5051230	Screw [#]	5
J-1	GA5011277	M16 x 127mm x 110mm U Bolt	3
J-2	GA5001029	M16 Nyloc Nut	6
J-3	GA5001043	16mm Washer S/S	6

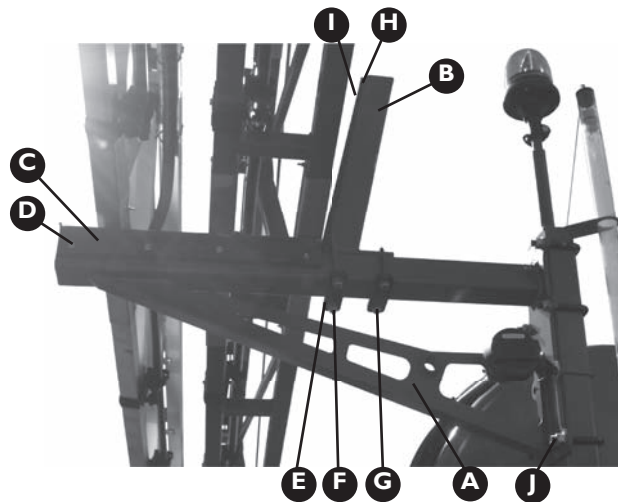


* Used when Weedseeker Cameras fitted to a 36m boom
[#] Not Shown, hidden by boom

BOOM RESTS

Boom rest to suit wide centre (MK2)*

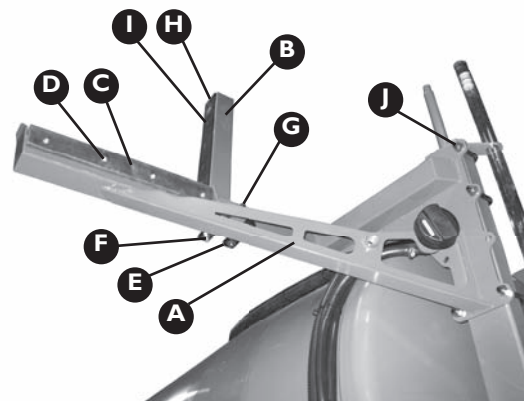
Item	Part No	Description	Quantity
A	GA4654210	Right Boom Rest	1
	GA4654215	Left Boom Rest	1
B	GA4654250	Boom Rest Upright	1
C	GA5014621	Boom Rest Rubber (550mm)	1
D	GA5000707	Tex Screw	8
E	F70107A	Upright Retainer Plate	2
F-1	GA5012461	M12 Nyloc Nut	2
F-2	GA500577	12mm Washer S/S	2
G-1	GA5011259	M12 x 76mm x 110mm U Bolt	1
G-2	GA5012461	M12 Nyloc Nut	2
G-3	GA5000577	12mm Washer S/S	2
H	GA5066630	Plastic Guide Plate	1
I	GA5051230	Screw	5
J-1	GA5011277	M16 x 127mm x 110mm U Bolt	3
J-2	GA5001029	M16 Nyloc Nut	6
J-3	GA5001043	16mm Washer S/S	6



* Standard on 33-36m booms

Large step back boom rest to suit wide centre (MK2)*

Item	Part No	Description	Quantity
A	GA4654191	Right Boom Rest	1
	GA4654196	Left Boom Rest	1
B	GA4654250	Boom Rest Upright	1
C	GA5014621	Boom Rest Rubber (550mm)	1
D	GA5000707	Tex Screw	8
E	F70107A	Upright Retainer Plate	2
F-1	GA5012461	M12 Nyloc Nut	2
F-2	GA500577	12mm Washer S/S	2
G-1	GA5011259	M12 x 76mm x 110mm U Bolt	1
G-2	GA5012461	M12 Nyloc Nut	2
G-3	GA5000577	12mm Washer S/S	2
H	GA5066630	Plastic Guide Plate	1
I	GA5051230	Screw	5
J-1	GA5011277	M16 x 127mm x 110mm U Bolt	3
J-2	GA5001029	M16 Nyloc Nut	6
J-3	GA5001043	16mm Washer S/S	6

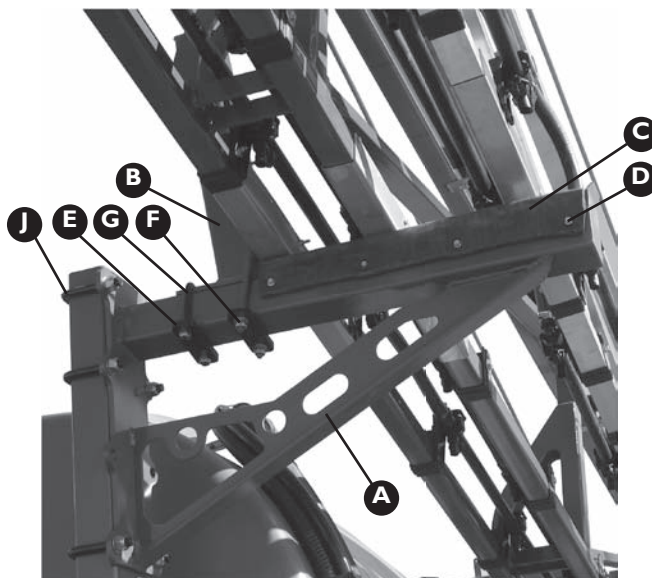


* Standard on 24m booms fitted with weedseeker cameras

BOOM RESTS

Boom rest to suit narrow centre (MK3)*

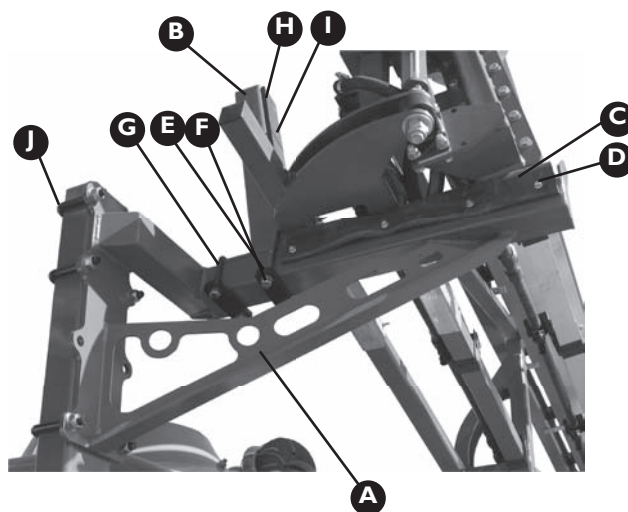
Item	Part No	Description	Quantity
A	GA4654200	Right Boom Rest	1
	GA4654205	Left Boom Rest	1
B	GA4654250	Boom Rest Upright	1
C	GA5014621	Boom Rest Rubber (550mm)	1
D	GA5000707	Tex Screw	8
E	F70107A	Upright Retainer Plate	2
F-1	GA5012461	M12 Nyloc Nut	2
F-2	GA500577	12mm Washer S/S	2
G-1	GA5011259	M12 x 76mm x 110mm U Bolt	1
G-2	GA5012461	M12 Nyloc Nut	2
G-3	GA5000577	12mm Washer S/S	2
H	GA5066630	Plastic Guide Plate#	1
I	GA5051230	Screw#	5
J-1	GA5011277	M16 x 127mm x 110mm U Bolt	3
J-2	GA5001029	M16 Nyloc Nut	6
J-3	GA5001043	16mm Washer S/S	6



* Standard on 28-30m booms
Not shown, hidden by boom.

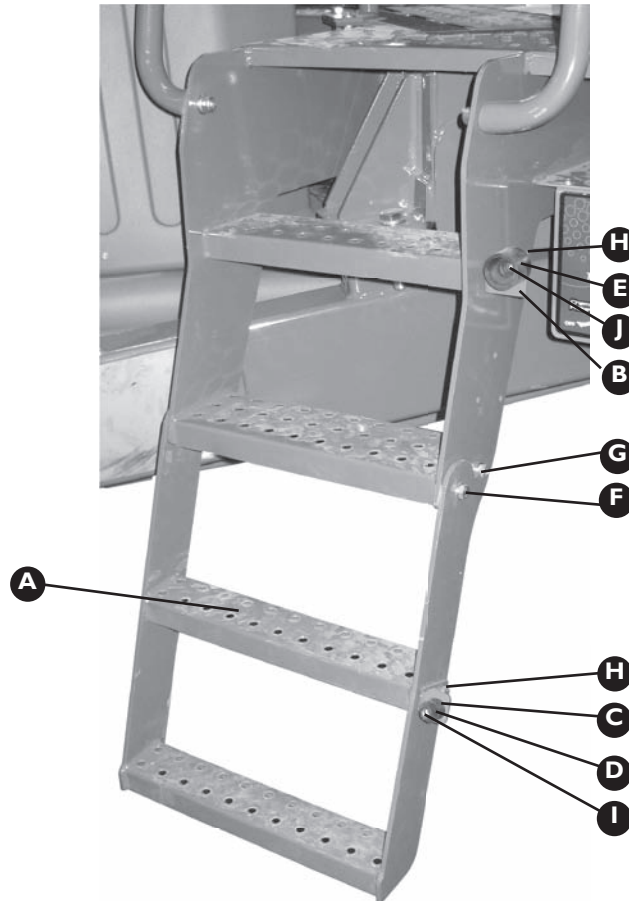
Step back boom rest to suit narrow centre (MK3)*

Item	Part No	Description	Quantity
A	GA4654190	Right Boom Rest	1
	GA4654195	Left Boom Rest	1
B	GA4654250	Boom Rest Upright	1
C	GA5014621	Boom Rest Rubber (550mm)	1
D	GA5000707	Tex Screw	8
E	F70107A	Upright Retainer Plate	2
F-1	GA5012461	M12 Nyloc Nut	2
F-2	GA500577	12mm Washer S/S	2
G-1	GA5011259	M12 x 76mm x 110mm U Bolt	1
G-2	GA5012461	M12 Nyloc Nut	2
G-3	GA5000577	12mm Washer S/S	2
H	GA5066630	Plastic Guide Plate	1
I	GA5051230	Screw	5
J-1	GA5011277	M16 x 127mm x 110mm U Bolt	3
J-2	GA5001029	M16 Nyloc Nut	6
J-3	GA5001043	16mm Washer S/S	6



* Standard on 24m booms fitted to 4/5000L sprayers

STEPS



Item	Part No	Description	Quantity
A	GA4654582	Lower Steps	1
B	F70684A	Left Upper Catch Mount	1
	F70654A	Right Upper Catch Mount	1
C	GA4522617	Lower Catch Mount	1
D	GA5011607	Male Step Catch	1
E	GA5008629	Female Step Catch	1
F-1	GA5065455	M10 x 30mm Bolt	2
F-2	GA5000141	M10 Nyloc Nut	2
F-3	GA5000139	10mm Washer (ZP)	6
G-1	GA5011153	M10 x 20mm Cap Screw	2
G-2	GA5000141	M10 Nyloc Nut	2

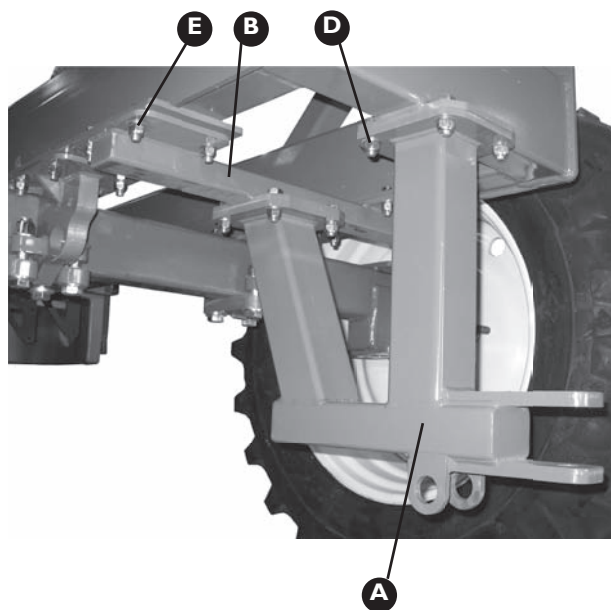
Item	Part No	Description	Quantity
G-3	GA5000139	10mm Washer (ZP)	2
H-1	GA5065455	M10 x 30mm Bolt	4
H-2	GA5000141	M10 Nyloc Nut	4
H-3	GA5000139	10mm Washer (ZP)	8
I-1	GA5004079	M6 x 30mm Bolt	1
I-2	GA5048115	M6 Nyloc Nut	1
I-3	GA5004349	6mm Washer (ZP)	1
J-1	GA5004053	M6 x 20mm Button Head Cap Screw	1
J-2	GA5048115	M6 Nyloc Nut	1
J-3	GA5004349	6mm Washer (ZP)	2

Note: Left side shown. All parts the same for the right side except for item B, then use second part number listed

TOWBARS

Towbar to suit Rigid Axle Sprayer

Item	Part No	Description	Quantity
A	GA4655466	Towbar to suit Airbag Susp.	1
B	GA4655467	Towbar Mount for Rigid Axle	1
C	GA5051930	Towbar Pin with Chain	1
D-1	GA5000931	M16 x 50mm Bolt	8
D-2	GA5001029	M16 Nyloc Nut	8
D-3	GA5001043	16mm Washer S/S	16
E-1	GA5000931	M16 x 50mm Bolt	4
E-2	GA5001029	M16 Nyloc Nut	4
E-3	GA5001043	16mm Washer S/S	8



Towbar to suit Airbag Axle Sprayer

Item	Part No	Description	Quantity
A	GA4655466	Towbar to suit Airbag Susp.	1
B	GA5051930	Towbar Pin with Chain	1
C-1	GA5000931	M16 x 50mm Bolt	8
C-2	GA5001029	M16 Nyloc Nut	8
C-3	GA5001043	16mm Washer S/S	16

Towbar to suit Rigid Axle Tanker

Item	Part No	Description	Quantity
A	GA4655466	Towbar to suit Airbag Susp.	1
B	GA4655468	Towbar Mount for Tanker	1
C	GA5051930	Towbar Pin with Chain	1
D-1	GA5000931	M16 x 50mm Bolt	8
D-2	GA5001029	M16 Nyloc Nut	8
D-3	GA5001043	16mm Washer S/S	16
E-1	GA5000931	M16 x 50mm Bolt	8
E-2	GA5001029	M16 Nyloc Nut	8
E-3	GA5001043	16mm Washer S/S	16

Note: The axle on a tanker is further forward than on a standard rigid axle sprayer.

Note: Rigid axle tanker is shown in picture. All other towbars fit up in a very similar way to this