

CHAPTER 8

VORTEX INDUCTION HOPPER



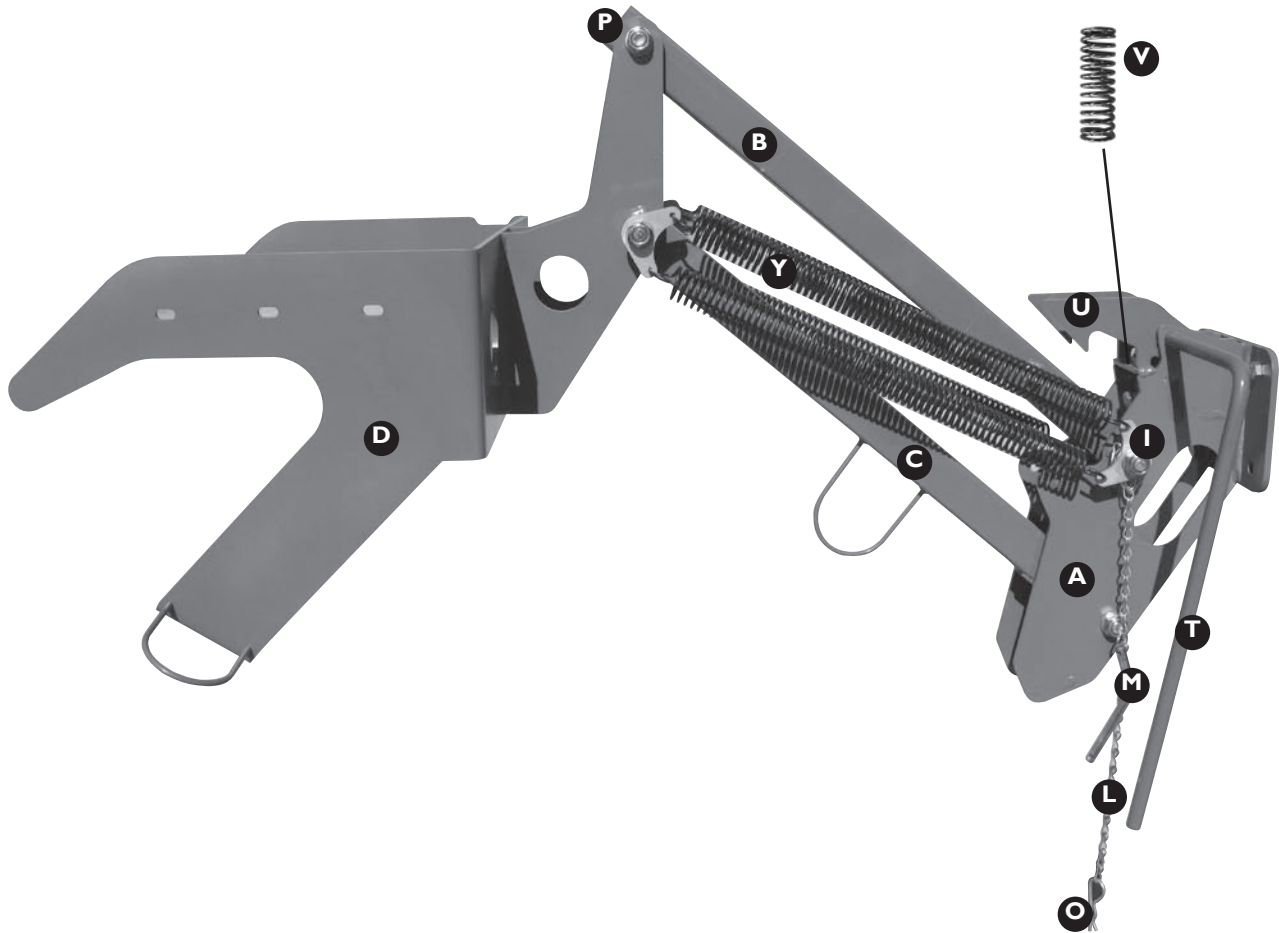
Vortex Hopper Frame Components . . .
..... 8-2

Vortex Hopper Tank Components
..... 8-3

Vortex Hopper Bottom Components . .
..... 8-4

Revision No: 01 22/7/09

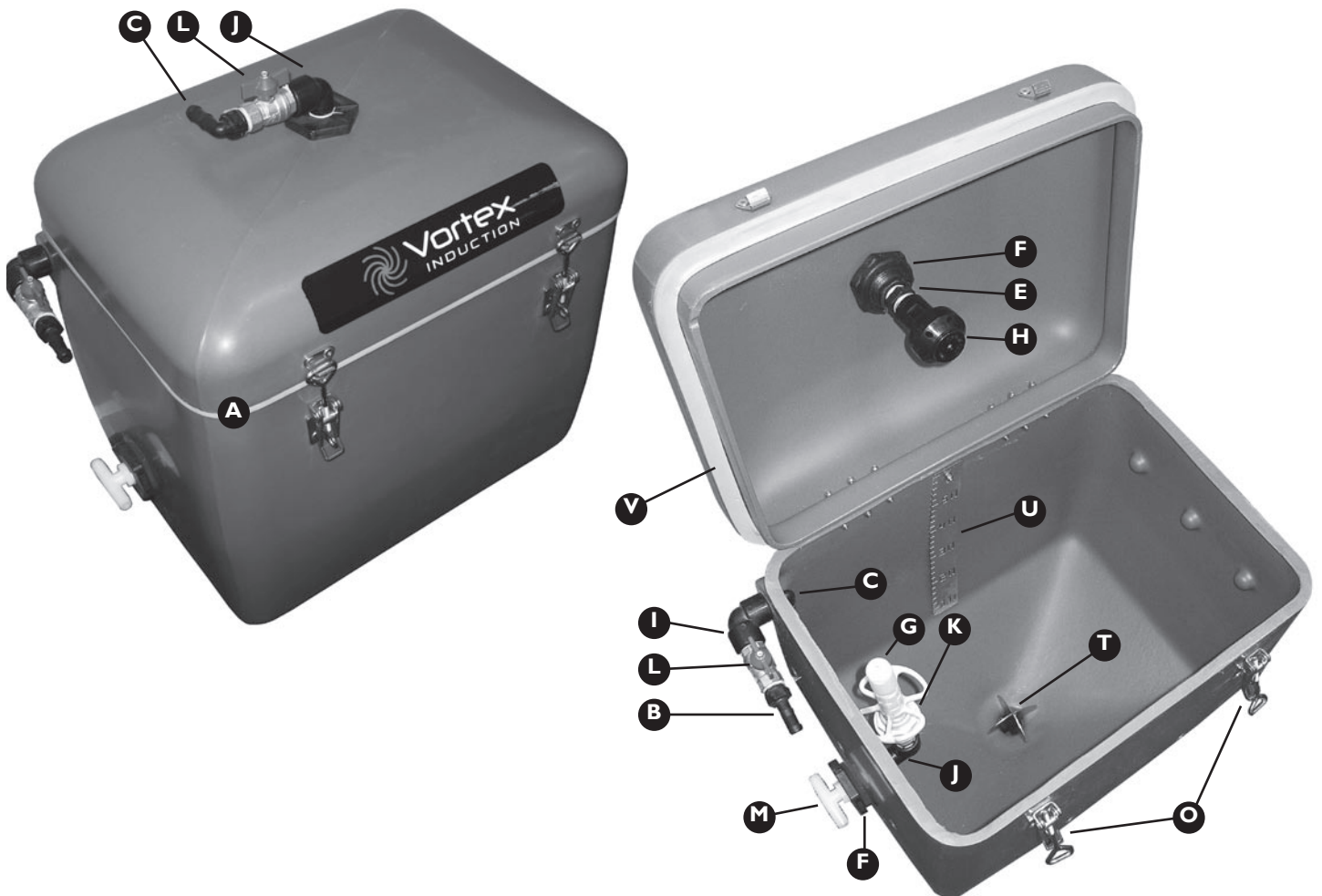
60L VORTEX HOPPER FRAME COMPONENTS



Item	Part No	Description	Quantity
A	GA4653420	Chassis mount	1
B	GA4653440	Hopper arm upper	1
C	GA4653445	Hopper arm lower	1
D	GA4656855	Tank support	1
E	GA5000855	M16x110mm bolt	2
F	GA5000881	M16x180mm bolt	2
G	GA5001043	16mm flat washer	8
H	GA5001029	M16 nyloc nut	4
I	GA4522294	Double spring mount	4
J	GA5000319	M12x40mm set scREW	2
K	GA5012461	12mm nyloc	3
L	GA5049330	Chain 6x7mm	0.4
M	SP-IH-009MACH	Latch Pin	1

Item	Part No	Description	Quantity
N	GA5002077	25mm NP key ring	1
O	GA5007197	Clip R type 4mm	1
P	GA5003783	50x50mm tube insert	4
Q	GA5012203	Grease nipple 1/4"	4
R	GA5011487	M8x40mm SHCS ZP	1
S	GA5004917	Nut 8mm nyloc	1
T	GA5010811	Hopper latch handle	1
U	GA4653490	Hopper latch ADV	1
V	GA5007329	Compression spring gold	1
W	GA500263	M12x100mm bolt	1
X	GA5000773	12mm flat washer SS	2
Y	GA5007073	Hopper Tension Spring	4

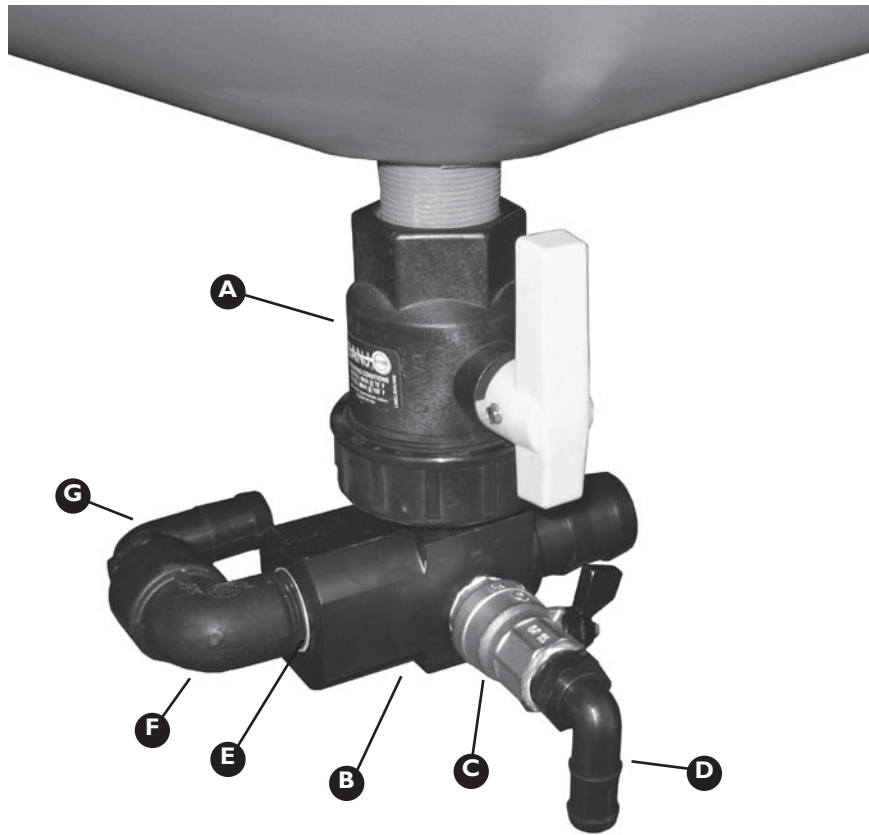
60L VORTEX HOPPER TANK COMPONENTS



Item	Part No	Description	Quantity
A	GA5070040	Hopper tank, 60L & lid	1
	GA5070045	Hopper Lid	1
B	HB050	Straight hose barb 1/2"	1
C	HB 050 90	Elbow 1/2" male thread to 1/2" barb	2
D	NIP 050 SH	Poly nipple 1/2"	1
E	RN 075 050	Reducer Nipple 1/2-3/4"	1
F	TF050	1/2" Poly bulkhead	2
G	510110	Drum rinsing nozzle	1
H	B55270-3/4-18	Tank Rinse	1
I	EL 050-90	Elbow 1/2"	1
J	SL050-90	Street elbow 1/2"	2
K	510100	Push down valve	1
L	GA5020615	1/2" ball tap M-F	2
M	T12T	Tee barb 1/2" poly	1

Item	Part No	Description	Quantity
N	GA5006661	Hinge (SS 3 hole)	2
O	GA5007071	SS Latch (adjustable)	2
P	GA5003976	M5x20mm Pan head set screw SS	11
Q	GA5003975	M5 SS hex nyloc nut	11
R	GA5003983	Washer 5mm S/S	12
S	GA5000469	12-20mm s'steel 1/2" hose clamp	5
T	GA4657115	Anti-aeration device	1
U	GA4522296	Level indicator 60L	1
V	GA5016473	Foam Sealing Strip	
W	HOS13P	13mm Pressure hose black (250 PSI)	
X	GA5011465	M8x20mm Bolt ZP	6
Y	GA5004921	M8 spring washer	6
Z	GA5003651	M8 SS flat washer	6

60L HOPPER BOTTOM COMPONENTS



Assembly Part Number GA4903105

Item	Part No	Description	Quantity
A	UV150FP	1 1/2" Ball Valve	1
B	L056A	Induction Hopper Bottom Tee	1
C	GA5018315	20mm Ball Valve	1
D	HB075-90	3/4" Barbed Elbow	1
E	L057A	Hopper Venturi 9mm*	1
	GA4572150	Hopper Venturi 7mm*	
F	SL100-90	1" Elbow	1
G	HB100-90	1" Barbed Elbow	1

* 9mm Hopper Venturi is fitted standard, but a 7mm Venturi is available for low volume pumps.