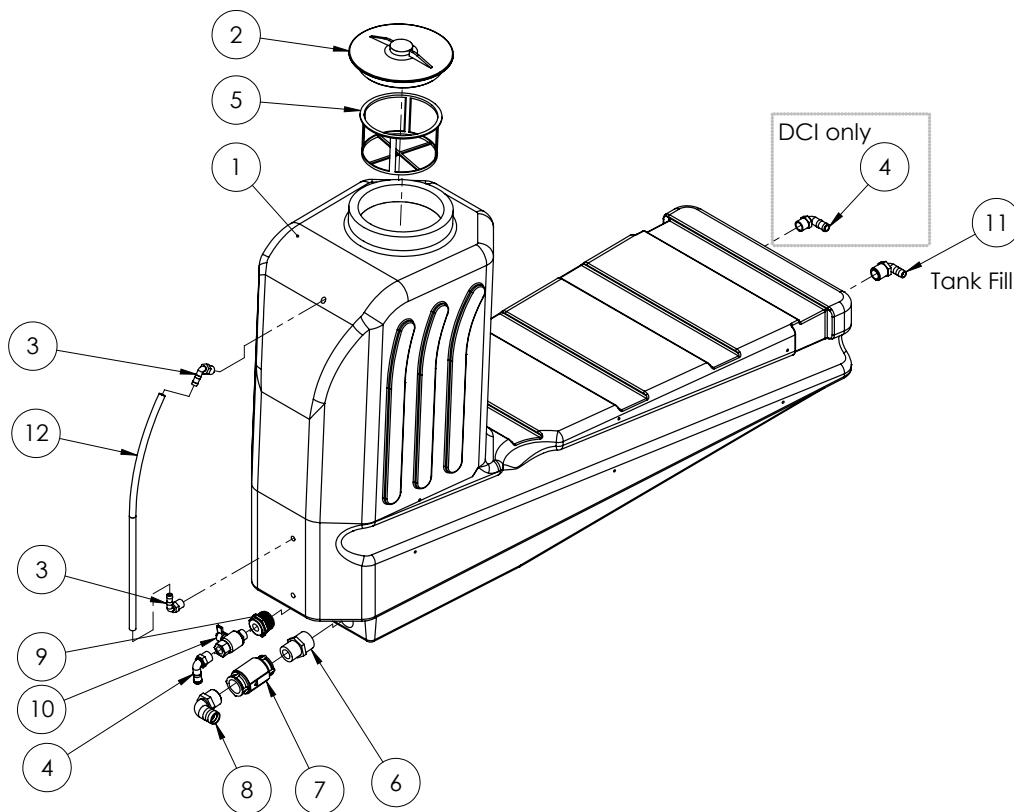


# Chapter 3

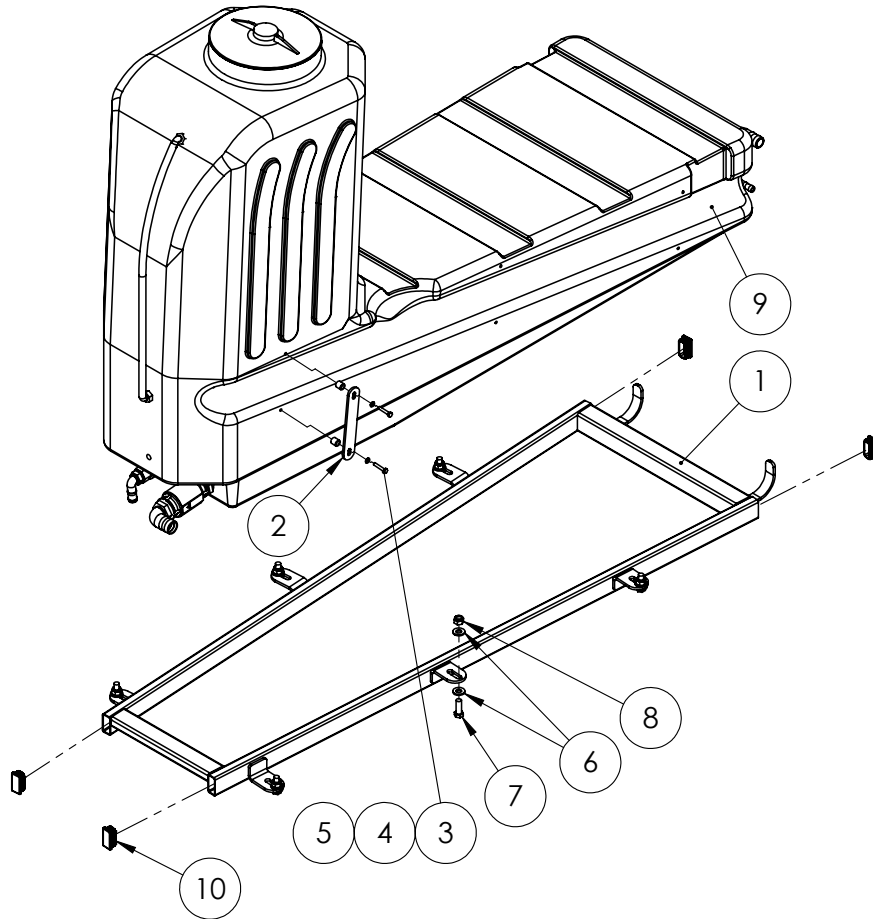
## FLUSH TANK

### 400lt Belly Tank



ITEM NO.	PART NUMBER	DESCRIPTION	QTY.
1	GA5018367	Tank 400lt Underbelly, Bare	1
2	352022	Small lid, Diameter 255, With breather, ARAG	1
3	HB050-90	Hose barb, Elbow, 90 degree, 1/2" male thread x 1/2" hose	2
4	HB075-90	Hose barb, Elbow, 90 degree, 3/4" male thread x 3/4" hose	2
5	300110	Filter screen, Basket type, Diameter 203 x 120mm deep	1
6	RN150125	Reducing nipple, 1 1/2" male thread x 1 1/4" male thread	1
7	GA5017361	Valve nonreturn 1 1/4"	1
8	HB125-90	Hose barb, Elbow, 90 degree, 1 1/4" male thread x 1 1/4" hose	1
9	RB150075	Reducing bush, 1 1/2" male thread x 3/4" female thread	1
10	GA5018315	Valve, Ball, 20mm male & female thread, Black Butterfly handle	1
11	HB100/075-90	Hose barb, Elbow, 90 degree, 1" male thread x 3/4" hose	1
12	HOS12SIGHT	Hose, Clear, 12mm, Sight tube (cut 660mm long)	1

# 400lt Belly Tank Frame



ITEM NO.	PART NUMBER	DESCRIPTION	QTY.
1	GA4654320	Rinse tank frame advance	1
2	F70681A	Hose Strap for Belly Tank	2
3	GA5011405	Bolt M6 x 35 ZP GR8.8	4
4	GA5004437	Washer 6mm Flat SS	4
5	GA4552075	Crush tube, 10.2 ID x 15 OD x 15mm long	4
6	GA5000587	Washer 12mm Flat ZP Heavy Duty	12
7	GA5000311	Set screw, M12 x 35, ZP GR 8.8	6
8	GA5012461	Nut M12 Nyloc ZP	6
9	GA4903087	Pre-assembled 400L rinse water tank	1
10	GA5003733	Tube Insert 50 x 25mm rectangular 0.83	4