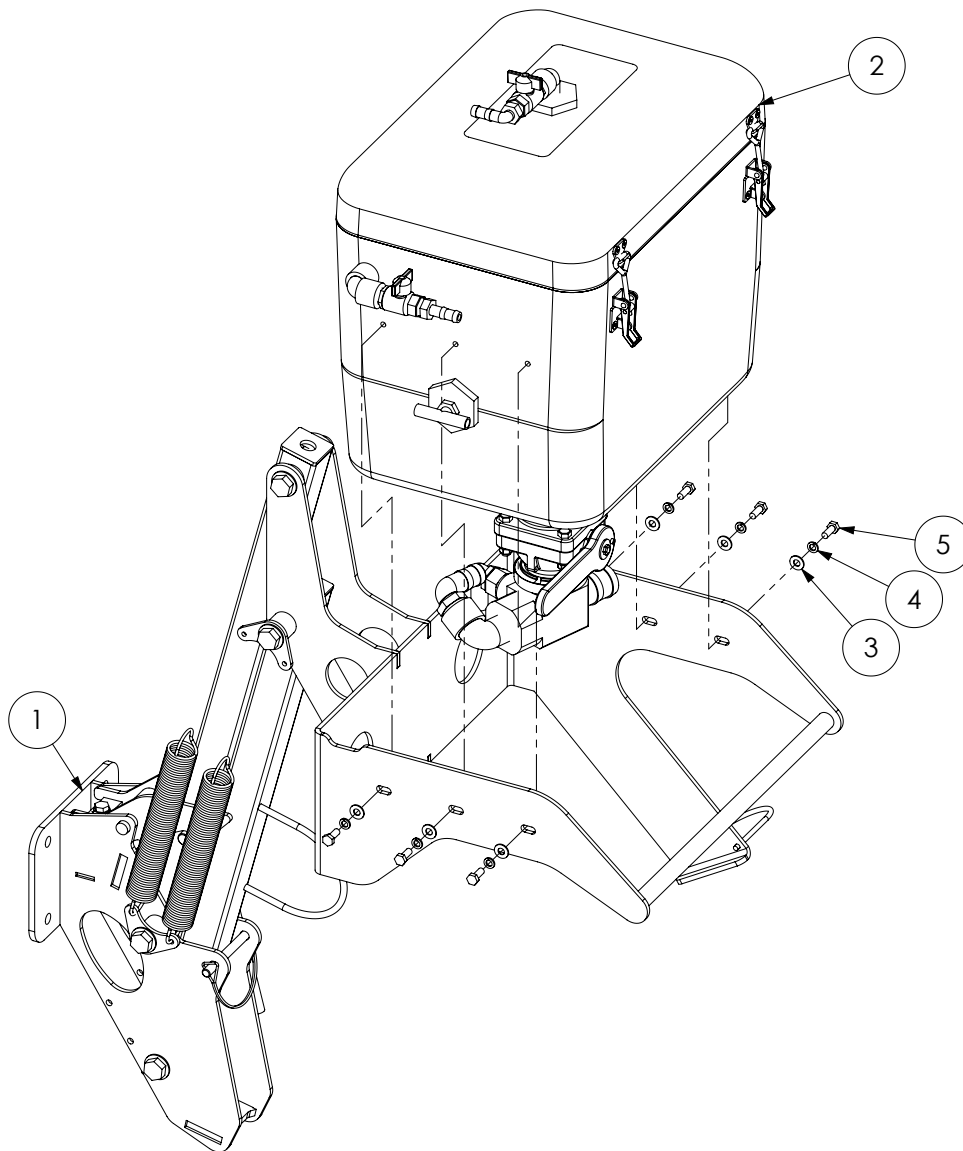


# Chapter 8

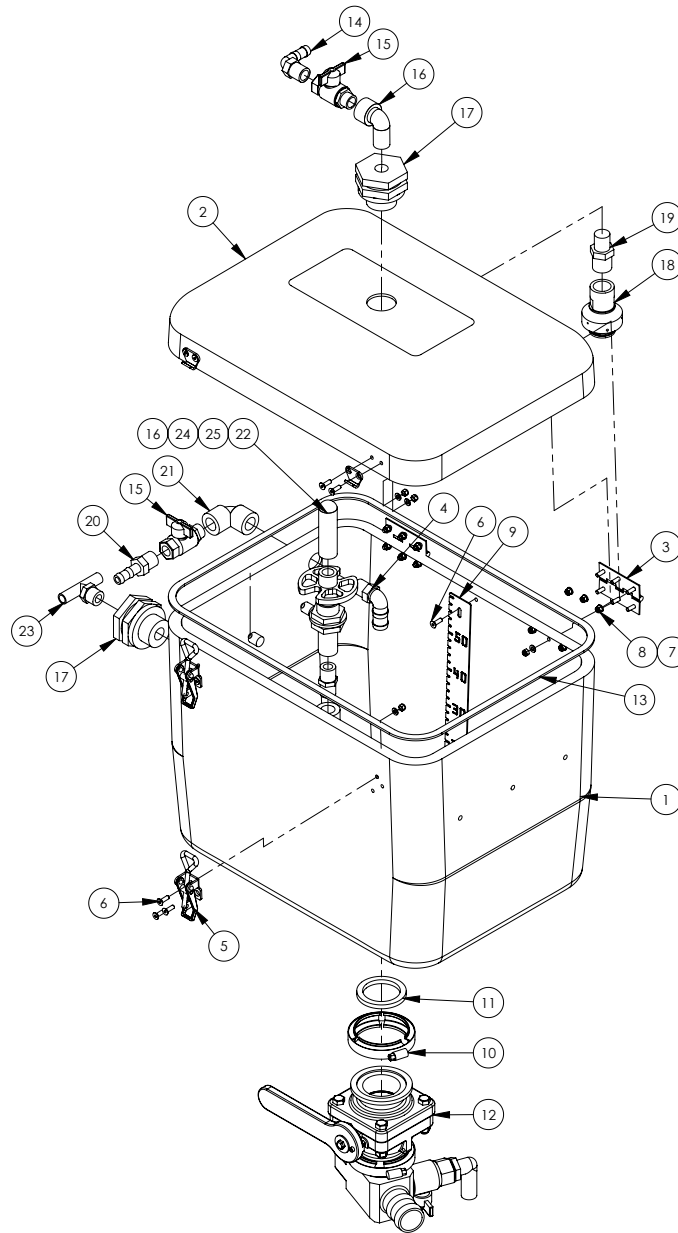
## INDUCTION HOPPER

### Induction Hopper



ITEM NO.	PART NUMBER	DESCRIPTION	QTY.
1	GA4903049-65-EF	Pre-assembled 60L hopper frame suit EF	1
2	GA4906520	Pre-assembled 60L Flange (rectangle) Hopper Tank	1
3	GA5003643	Washer 8mm HD	6
4	GA5004919	Washer 8mm Spring SS	6
5	GA5004085	Bolt M8 x 20	6

# Hopper Tank



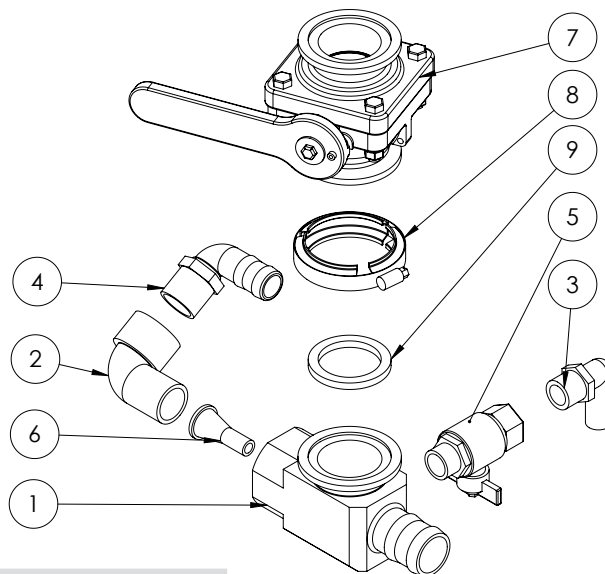
GA4906520 Pre-assembled 60L Flange (rectangle) Hopper Tank

ITEM NO.	PART NUMBER	DESCRIPTION	QTY.
1	GA5071208	Hopper Tank 65L with Flange to suit Banjo 220 Valve	1
2	GA5070045	Hopper lid - 07 Advance 65L	1
3	GA5006661	Hinge 76mm, Butt Hinge SS	2
4	HB050-075-90	Hose Barb Elbow 1/2" to 3/4" barb	1
5	GA5007071	Latch Chemical Induction Hopper Lid	2
6	GA5051230	FHCS M5 x 16mm SS	23
7	GA5003983	Washer 5mm SS	23
8	GA5003975	Nut M5 Nyloc SS	23
9	GA4522296	Hopper level indicator 60L	1

Continued over page

ITEM NO.	PART NUMBER	DESCRIPTION	QTY.
10	FC220	2" Full Port Worm Screw Clamp	1
11	200G	Seal, EPDM, Suit 2" flange fitting	1
12	GA4906645	Pre-assembled 60L Hopper Bottom 2" Flanged	1
13	GA5016473	Tape PM Foam 6.4 x 18 L/Density	1
14	HB050-90	Hose Barb Elbow 1/2"	1
15	GA5020615	1/2" Ball valve	2
16	SL050-90	1/2" Street Elbow	2
17	TF050	1/2" Poly Bulkhead	2
18	B55270-34-18	Tank rinse nozzle 3/4" BSP	1
19	RN075050	Reducing Nipple 3/4" x 1/2"	1
20	HB050	1/2" Hose Barb	1
21	EL050-90	1/2" Female to Female Elbow	1
22	510110	Rinsing nozzle 1/2" F thread	1
23	T12T	Barb male tee (1 x 1/2" thread, 2 x 1/2" barbs)	1
24	NIP-050-SH	1/2" Short Poly Nipple	1
25	510100	Push down valve	1

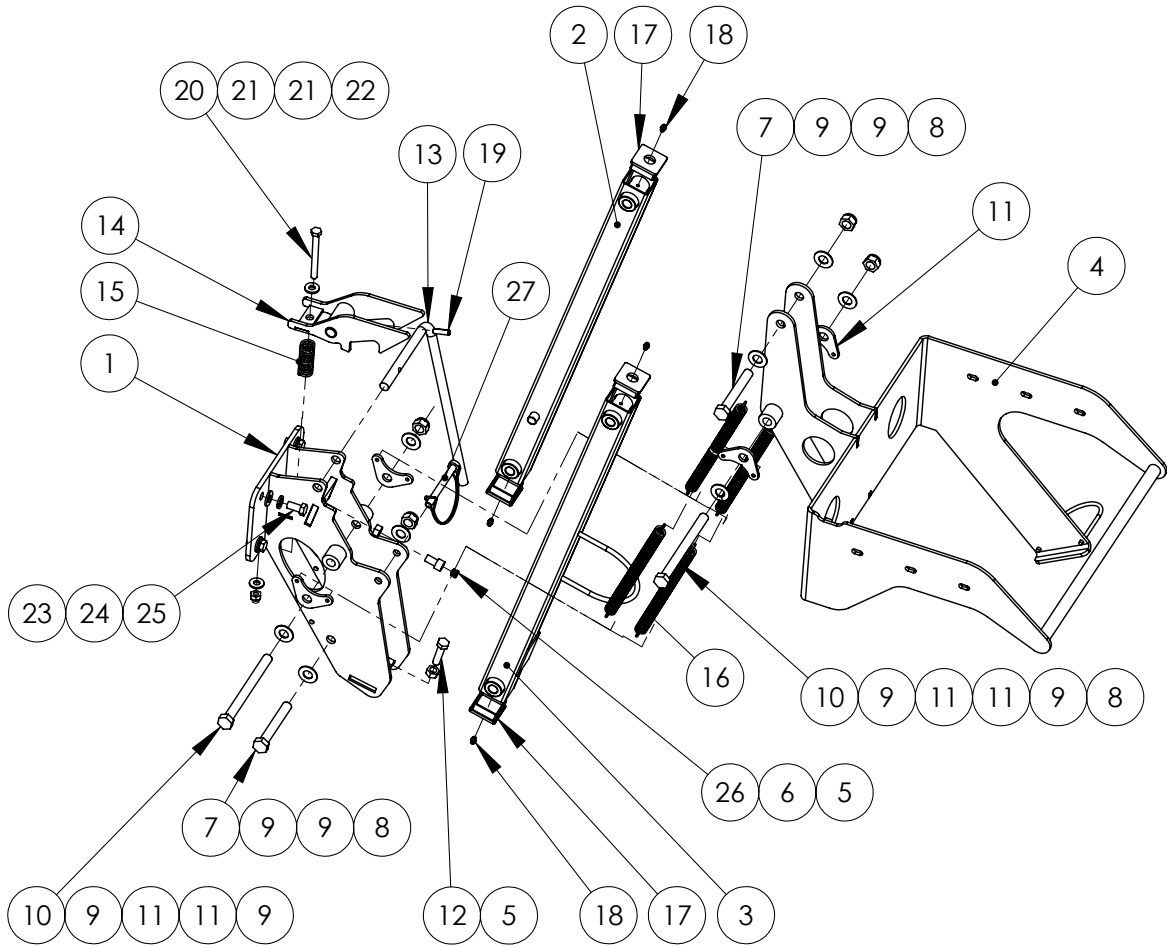
## Hopper Tank - Bottom



GA4906645 Hopper Bottom 2" Flanged

ITEM NO.	PART NUMBER	DESCRIPTION	QTY.
1	GA4552240	Hopper Bottom 2"	1
2	SL100-90	Street Elbow 1" Poly	1
3	HB075-90	Elbow male 3/4"	1
4	HB100-90	Hose barb 90 degree 1"	1
5	GA5018315	Ball Valve Male / Female TEE 3/4"	1
6	L057A	Hopper jet tapered 7mm	1
7	MVS220CF	Valve, 2" Full Port Flange	1
8	FC220	2" Full Port Worm Screw Clamp	1
9	200G	Seal, EPDM, Suit 2" flange fitting	1

# Hopper Frame



GA4903049-65-EF Hopper Frame 60L

ITEM NO.	PART NUMBER	DESCRIPTION	QTY.
1	GA4653420	Induction Hopper chassis Mount ADV	1
2	GA4653440	Induction Hopper arm Upper ADV	1
3	GA4653445	Induction Hopper arm Lower ADV	1
4	GA4656855	Induction Hopper tank support 60L suit EF range	1
5	GA5000559	Nut M12 Hex ZP	2
6	GA5050321	SHCS M12 x 40 ZP GR12.9	1
7	GA5000855	Bolt M16 x 110 ZP GR8.8	2
8	GA5001029	Nut M16 Nyloc ZP	4
9	GA5001009	Washer 16mm Flat ZP Heavy Duty	8
10	GA5000879	Bolt M16 x 180 ZP GR8.8	2
11	GA4522294	Mounting plate, Double induction hopper spring	4
12	GA5000319	Set Screw M12 x 40 ZP GR8.8	1
13	GA4699435	Handle, Induction Hopper Latch arm	1
14	GA4653490	Induction Hopper latch ADV	1
15	GA5007329	Spring compression, 76.2mm x 25.4 x 3.15mm, gold	1
16	GA5007073	Spring, Tension, 38.2 OD x 284.3 long x 3.55mm	4

Continued over page

ITEM NO.	PART NUMBER	DESCRIPTION	QTY.
17	GA5003783	End cap, Insert, Black, Plastic, 50 x 50 mm	4
18	GA5012203	Grease nipple, Short, 1/4" UNF	4
19	GA5075130	Roll pin 8mm x 30mm coated	1
20	GA5011139	Bolt M10 x 100 ZP GR4.6	1
21	GA5000117	Washer 10mm Flat SS Heavy Duty	2
22	GA5000141	Nut M10 Nyloc ZP	1
23	GA5000587	Washer 12mm Flat ZP Heavy Duty	4
24	GA5000575	Washer 12mm Spring SS	4
25	GA5000295	Set Screw M12 x 25 ZP GR8.8	4
26	GA5052905	Insert, suit 12mm Hole, Black, plastic	1
27	GA5048380	Pin, 11mm OD shaft, Spring Steel wire loop lock, Yellow zinc	1

