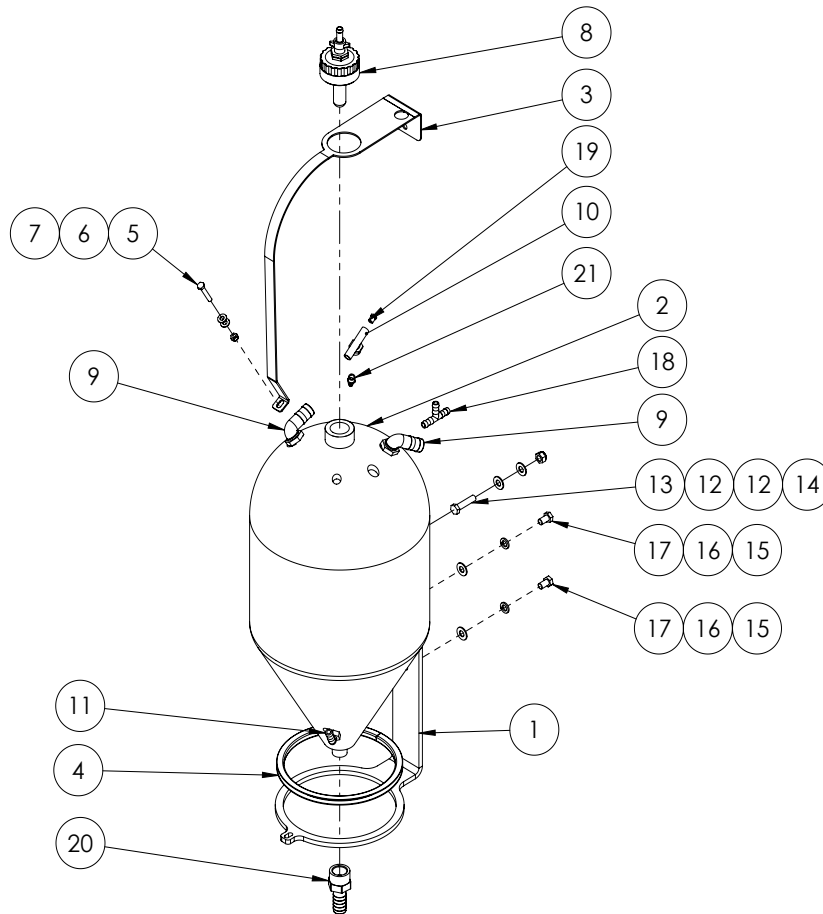


Chapter 10

TRANSCAL

Transcal Bottle



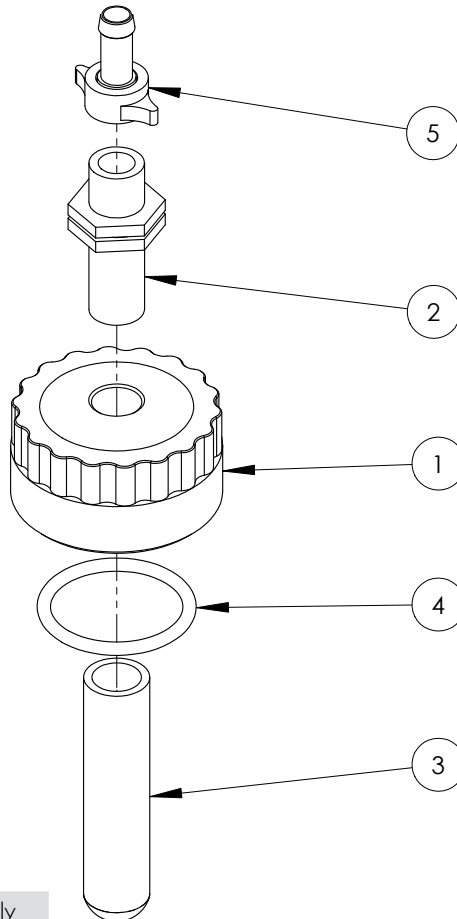
ITEM NO.	PART NUMBER	DESCRIPTION	QTY.
1	F70608A	45l Transcal mount plate 10mm FMS	1
2	GA4901047	Tank, 45L, Natural, Suit Transcal, Purchased	1
3	F70623A	Transcal bottle strap Yellow Zinc Plated	1
4	GA5010085	Hollow section rectangular rubber (cut 735mm)	1
5	GA5011489	Bolt M8 x 60 ZP GR8.8	1
6	GA5004883	Washer 8mm Flat ZP Heavy Duty	2
7	GA5004917	Nut M8 Nyloc ZP	1
8	GA4903050	Cap, Pre-assembled with rinse nozzle	1
9	HB100-90	Hose barb, Elbow, 90 degree, 1" male x 1" hose, Banjo	2
10	T12T	Tee, Threaded, 1/2" male x 1/2" hose	1
11	HB050-90	Hose barb, Elbow, 90 degree, 1/2" male thread x 1/2" hose	1

Continued over page

Transcal Bottle

ITEM NO.	PART NUMBER	DESCRIPTION	QTY.
12	GA5000587	Washer 12mm Flat ZP Heavy Duty	2
13	GA5011237	Set Screw M12 x 50 ZP GR8.8	1
14	GA5012461	Nut M12 Nyloc ZP	1
15	GA5000117	Washer 10mm Flat SS Heavy Duty	2
16	GA5000137	Washer 10mm Spring SS	2
17	GA5011229	Bolt M12 x 25 ZP GR8.8	2
18	T12	Tee Barb 1/2" x 1/2" x 1/2"	1
19	GA5020695	Hosetail (brass) 1/4" x 1/8" Male Thread	1
20	HBFI00	Hose barb, Straight, 1" female thread x 1" hose	1
21	GA5020540	Hose barb, Straight, 1/4 male thread x 1/4 hose, Brass	1

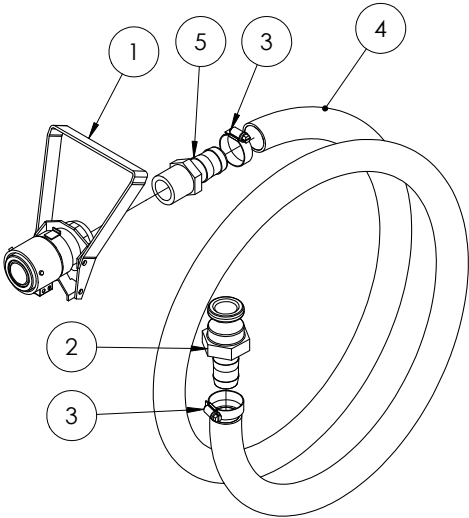
Rinse Nozzle & Cap



GA4903050 Complete Assembly

ITEM NO.	PART NUMBER	DESCRIPTION	QTY.
1	L055A	Cap / Lid, 80 OD, 1/2" BSPP female thread in top, Suit Transcal	1
2	2502021	Long thread nipple 1/2"	1
3	510110	Nozzle, Drum & container rinsing, ARAG	1
4	GA5009187	O-ring, 60 x 5.5mm, suits Exacta tank cap	1
5	006330	Hose barb, Brass, 13mm hose x fly nut end, ARAG	1

Enviro coupling & hose



ITEM NO.	PART NUMBER	DESCRIPTION	QTY.
1	GA5018803	Micromatic drum valve coupling, 3 pin,Viton seals	1
2	100E	Cam lever, 1" male coupling x 1" hose barb, Banjo	1
3	GA5001681	Hose Clamp, 1" SS (20-32/12W)	2
4	HOS25PVC	Hose, Suction, PVC, 25mm, Black	1
5	HB100	Hose barb, Straight, 1" male thread x 1" hose, Banjo	1

