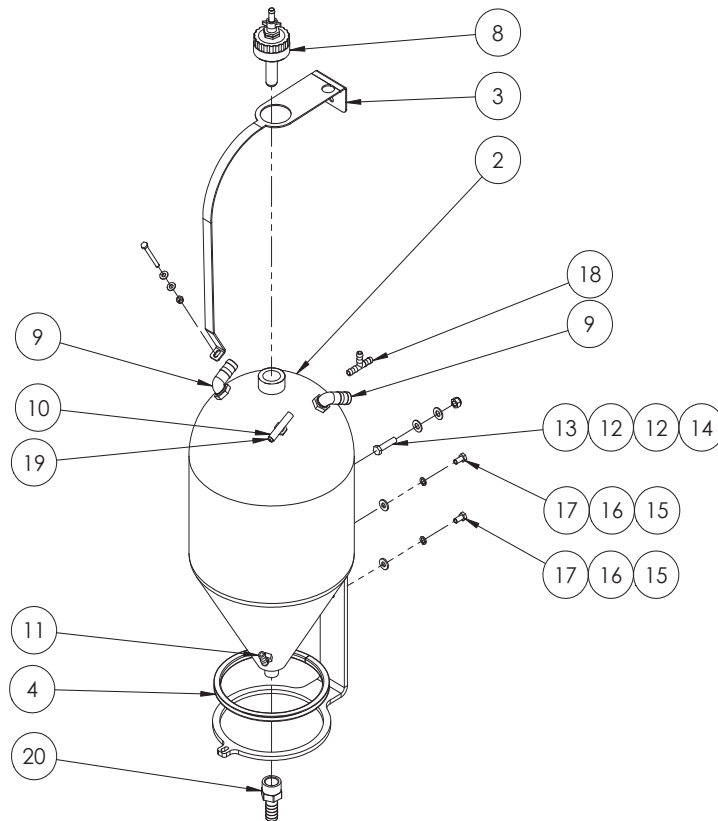


TRANSCAL

Transcal Bottle

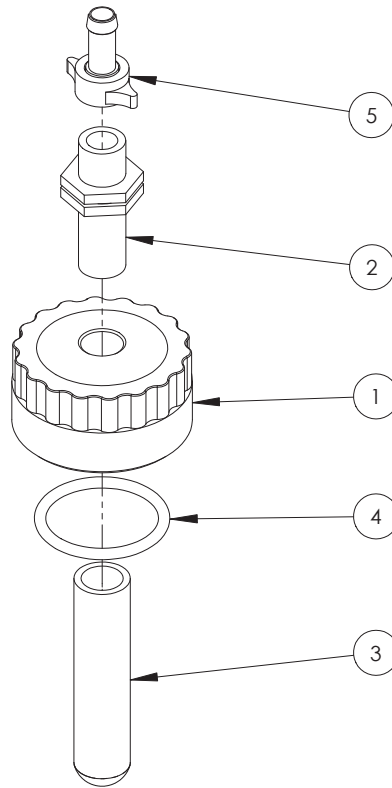


| ITEM NO. | PART NUMBER | DESCRIPTION | QTY. |
|----------|-------------|---|------|
| 1 | F70608A | 45L transcal tank mounting plate | 1 |
| 2 | GA4901047 | 45L transcal tank | 1 |
| 3 | F70623A | Transcal bottle strap bent | 1 |
| 4 | GA4673840 | Hollow section rectangular rubber (GA5010085) cut 735mm | 1 |
| 5 | GA5004749 | M8x80 Bolt | 1 |
| 6 | GA5004883 | Washer 8mm HD | 2 |
| 7 | GA5004917 | M8 Nyloc Nut | 1 |
| 8 | GA4903050 | Rinse nozzle and cap complete | 1 |
| 9 | HB100-90 | Hose barb 90 degree 1" Banjo | 2 |
| 10 | T12T | barb male tee (1 x 1/2" thread, 2 x 1/2" barbs) | 1 |
| 11 | HB050-90 | Hose Barb Elbow 1/2 | 1 |
| 12 | GA5000587 | Washer HD ZP 12mm | 2 |
| 13 | GA5011239 | M12x50 bolt | 1 |

Continued over page

| ITEM NO. | PART NUMBER | DESCRIPTION | QTY. |
|----------|-------------|--|------|
| 14 | GA5012461 | M12 Nyloc nut Z/P | 1 |
| 15 | GA5000117 | Washer 10mm SS Heavy duty | 2 |
| 16 | GA5000137 | Washer 10mm Spring S/S | 2 |
| 17 | GA5006113 | Bolt M10x20 ZP 8.8 | 2 |
| 18 | T12 | 1/2" Barbed Tee | 1 |
| 19 | GA5020695 | 1/8" Brass Hose Barb with Barb Removed | 1 |
| 20 | HBFI00 | Female Hose Barb 1" | 1 |

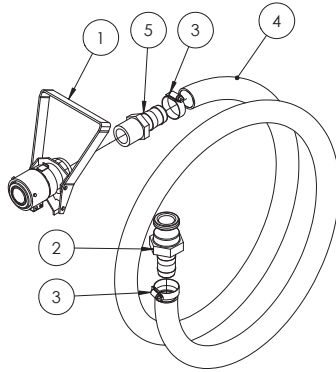
Rinse Nozzle & Cap



GA4903050 Complete Assembly

| ITEM NO. | PART NUMBER | DESCRIPTION | QTY. |
|----------|-------------|---|------|
| 1 | L055A | Transcal Cap | 1 |
| 2 | 2502021 | 1/2" Nipple Long | 1 |
| 3 | 510110 | Rinsing nozzle 1/2" F thread | 1 |
| 4 | GA5009187 | O Ring suit exacta tank cap 50X5 | 1 |
| 5 | 006330 | Brass Nut & Tail 13mm with 1/2 BSP hose fitting | 1 |

Enviro coupling & hose



| ITEM NO. | PART NUMBER | DESCRIPTION | QTY. |
|----------|-----------------------------------|------------------------------------|------|
| 1 | GA5018803 | Coupler, 3 Pin, Viton Flow Control | 1 |
| 2 | I00E Male Adapter | 1" Hose Shank | 1 |
| 3 | GA5001681 | 1" SS hose clamp | 2 |
| 4 | HOS25PVC - suit enviro chem probe | PVC hose 25mm cut 2840m | 1 |
| 5 | HB100 | Hose Barb 1" | 1 |

