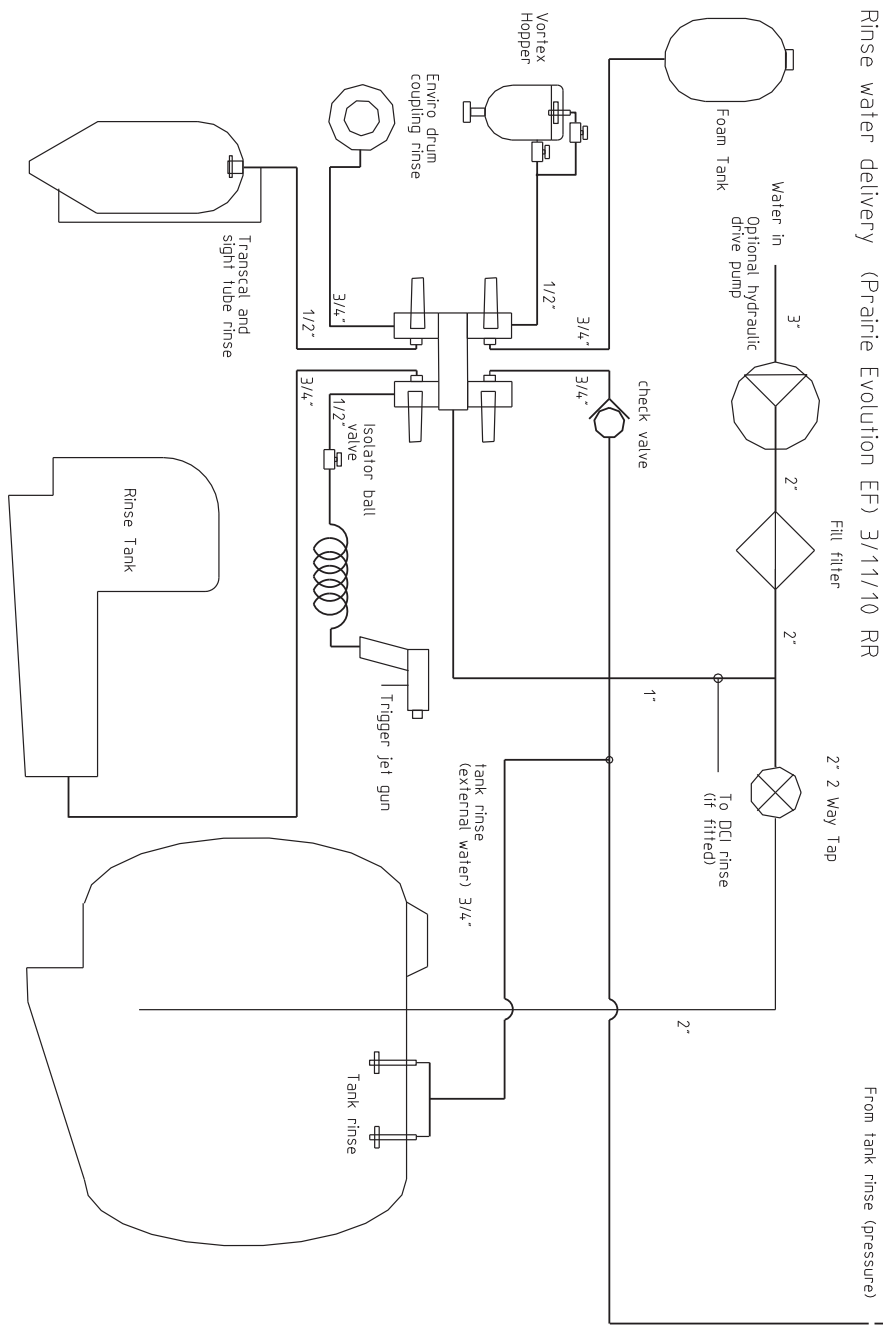


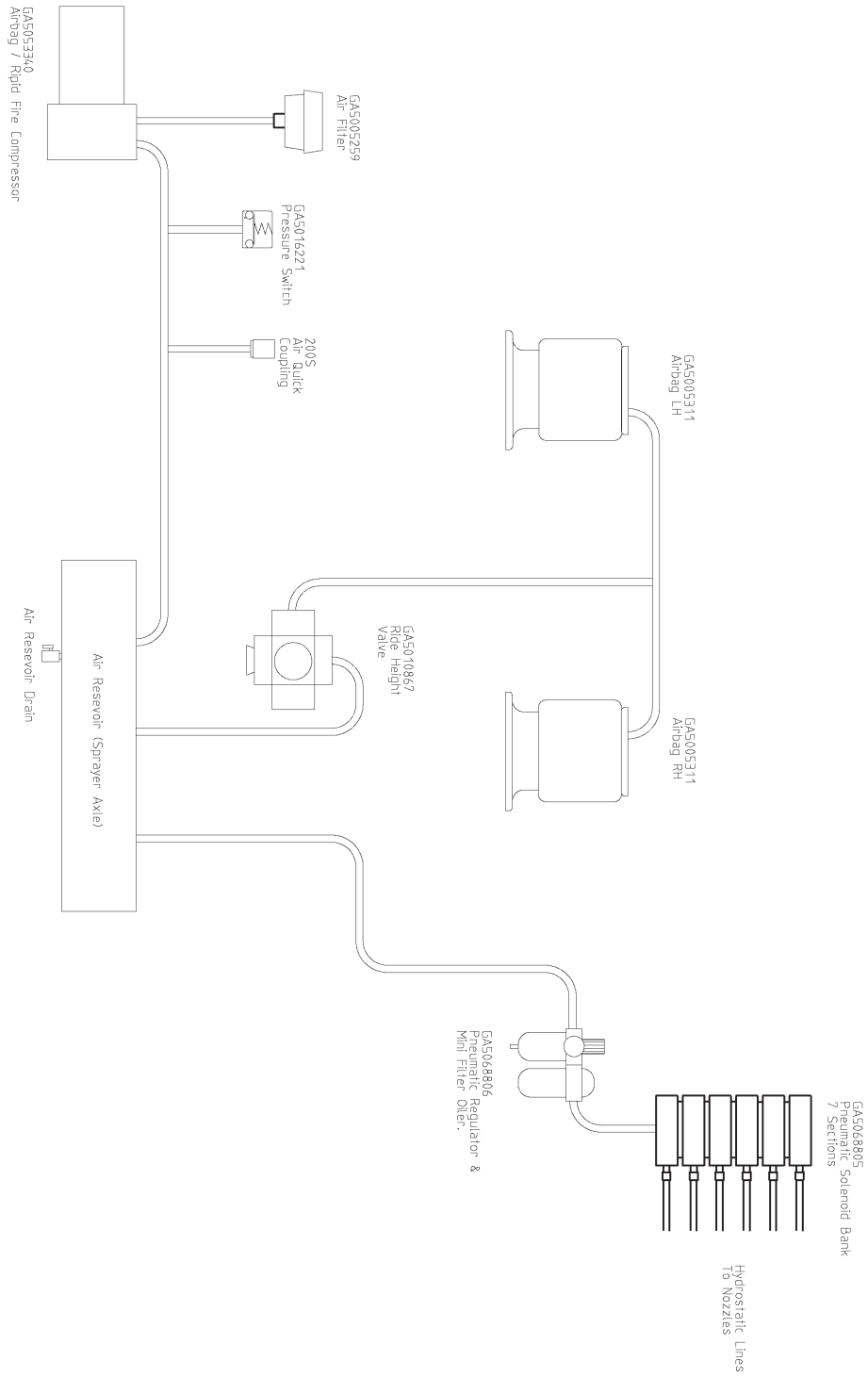
# Chapter 16

## SCHEMATICS

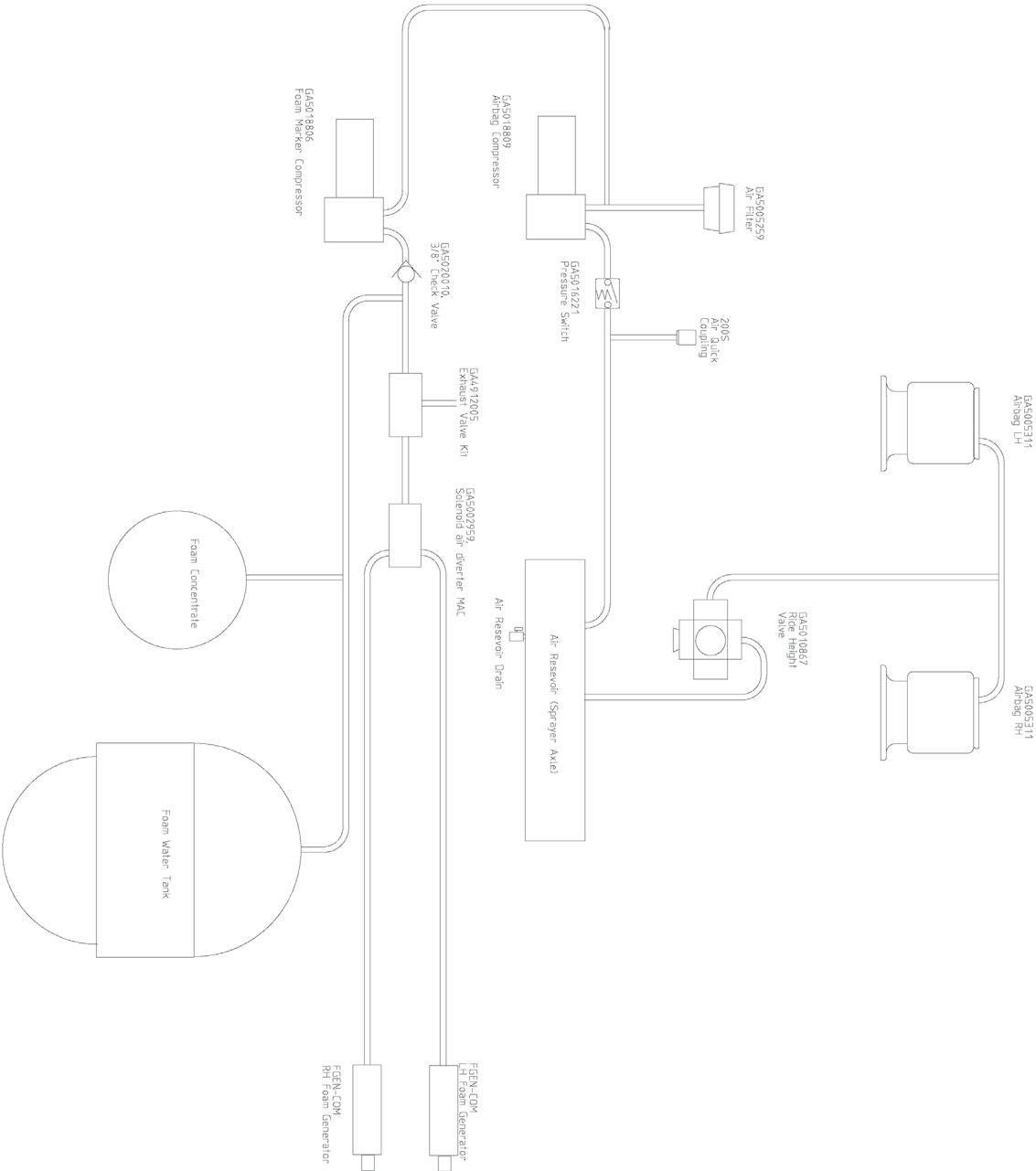
### Fresh Water Delivery



# Pneumatic Layout Airbag with Rapidfire



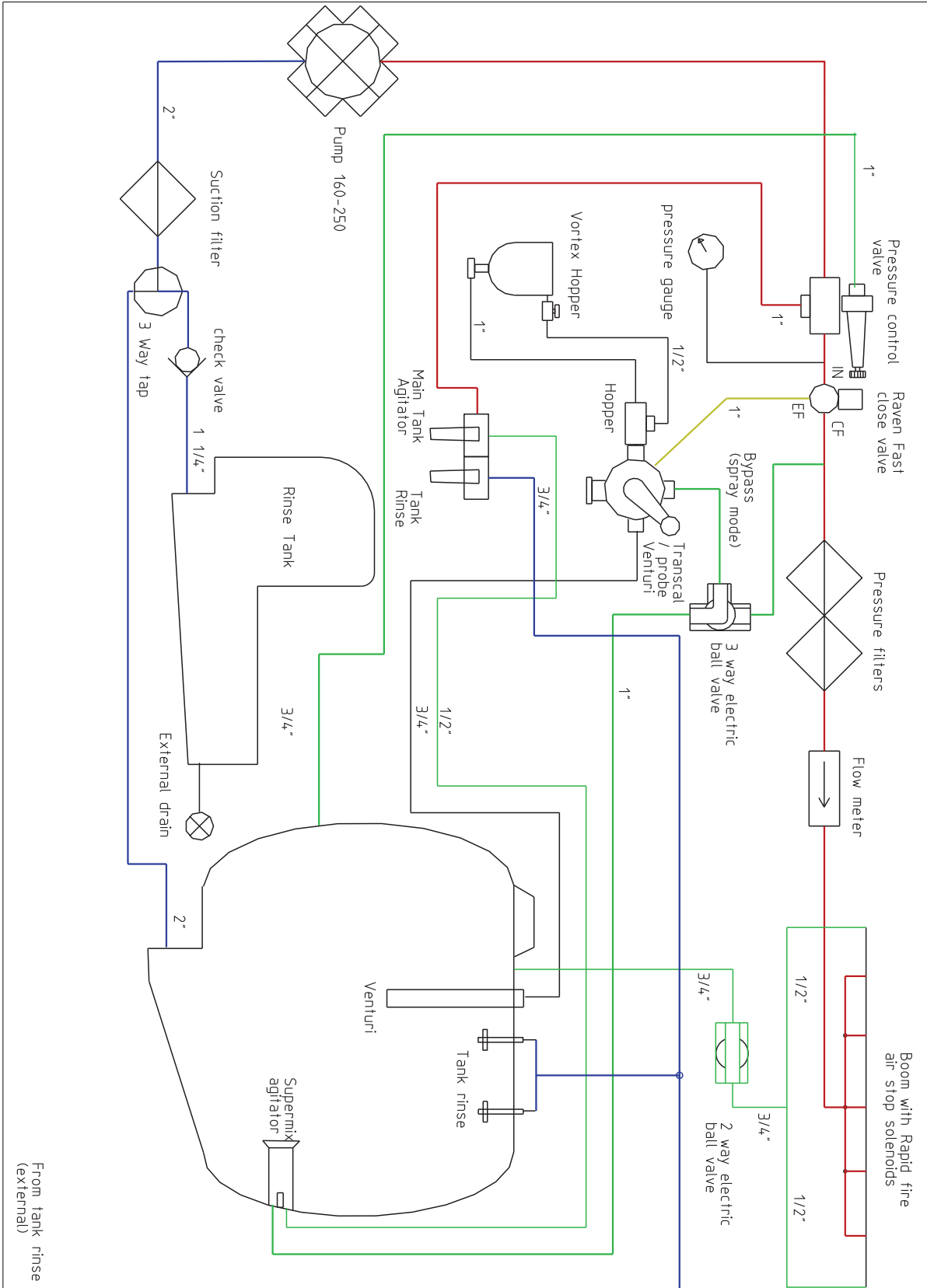
# Pneumatic Layout Airbag-Foam Marker





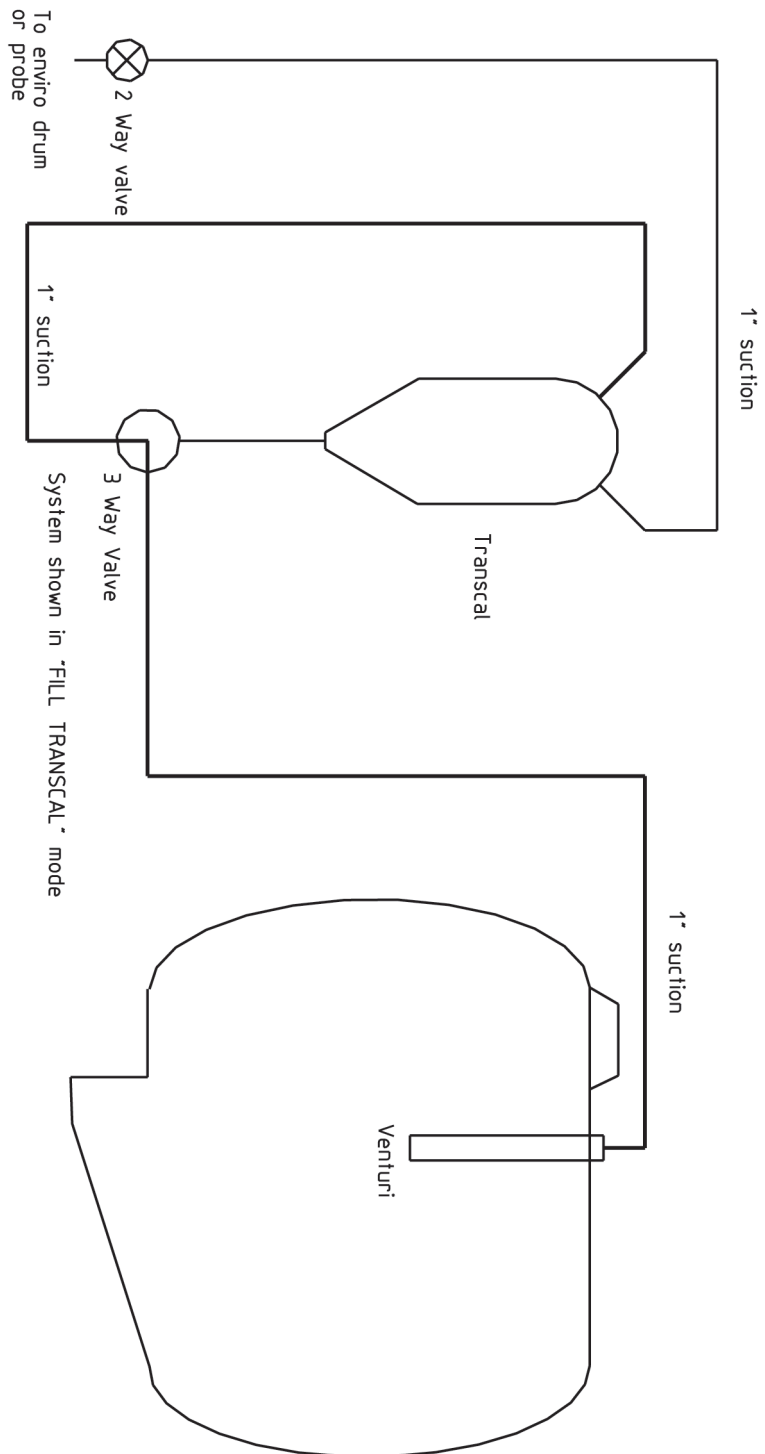
# Rapidflow Schematic

Pressure Delivery (Prairie Evolution EF with boom recirculation) 3/11/10 RR



# Transcal Schematic

---





# DCI Schematic

