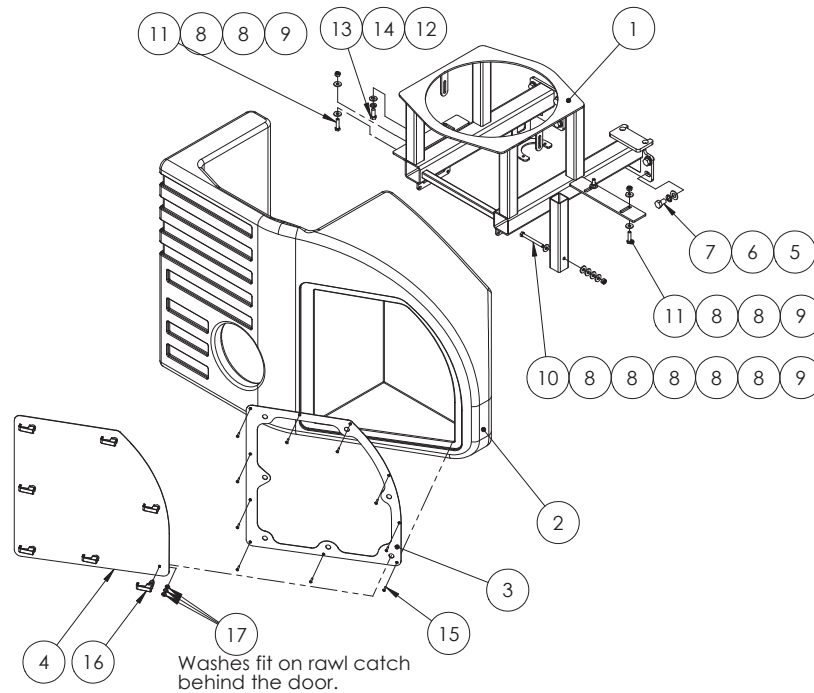


Chapter 4

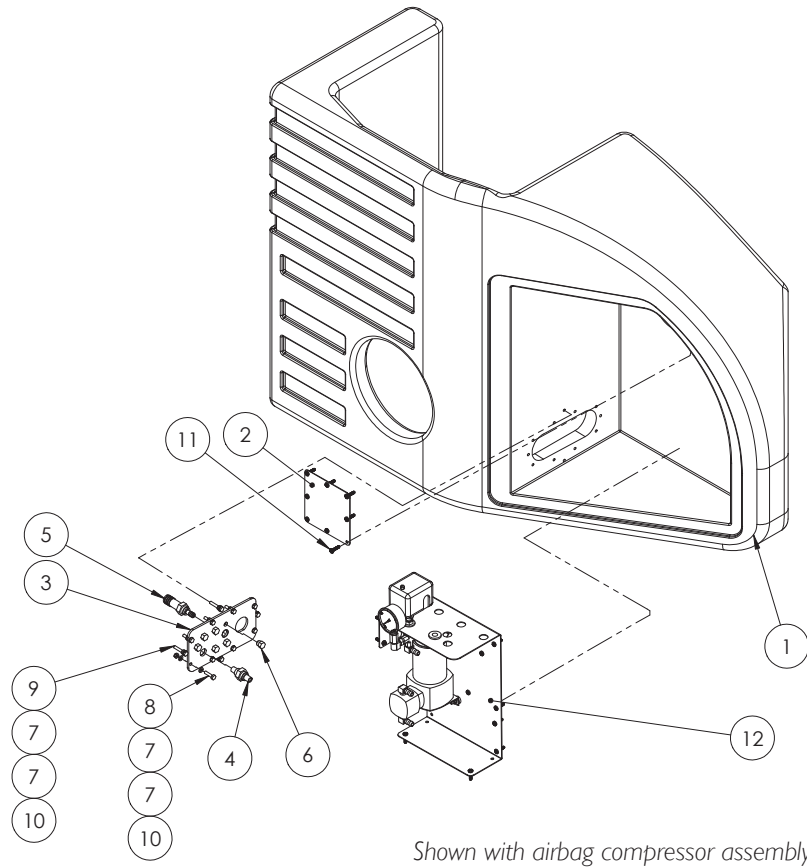
RIGHT HAND POD

Prairie Evolution Right Hand Pod



ITEM NO.	PART NUMBER	DESCRIPTION	QTY.
1	GA4654410	RH SIDE SUPPORT FRAME SUBASSEM	1
2	GA5018375	Plastic Pod body RH	1
3	GA4522585	RHS pod cover door inner	1
4	GA4522580	RHS pod cover door outer	1
5	GA5001009	Flat washer M16 HD	8
6	GA5000961	Washer 16mm Spring ZP	8
7	GA5000903	M16x25 bolt	8
8	GA5002627	Washer 3/8 ZP	11
9	GA5000141	M10 Nyloc Nut	4
10	GA5011139	M10x100 Bolt	1
11	GA5006071	Bolt M10 x 40 grd 10.9 ZP	3
12	GA5000587	M12 WASHER	1
13	GA5000307	M12x30 bolt	1
14	GA5000575	M12 Spring washer SS	1
15	GA5014819	10G x 25mm CS Self tapping screw	10
16	GA5066600	Rawl action latch black	7
17	GA5004883	Washer 8mm HD	21

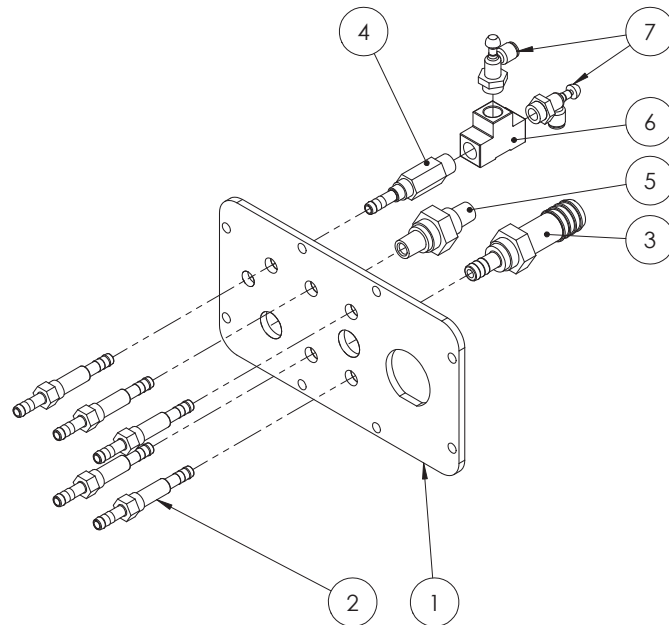
Right Hand Side Module - Internal Components



ITEM NO.	PART NUMBER	DESCRIPTION	QTY.
1	GA5018375	Plastic Pod body RH	1
2	GA4533915	Pod RHS Bolt Hole Cover Plate	1
3	F70784A	Plumbing Manifold Plate EF	1
4	GA4582465	1/4" BSPT Nipple S/S suit RH Pod Manifold	1
5	MACH0129	3/4" barb to 3/8" barb fitting	1
6	GA4582485	Plug M12x1.5 fine	6
7	GA5004437	M6 SS Washer	24
8	GA5004073	M6x25 bolt	8
9	GA5011405	M6x35 bolt	4
10	GA5048115	Nut nyloc M6	12
11	GA5000527	Screw 12G x 1 XR STS Pan SS	8
12	GA4903122-EF	Airbag compressor assembly	1

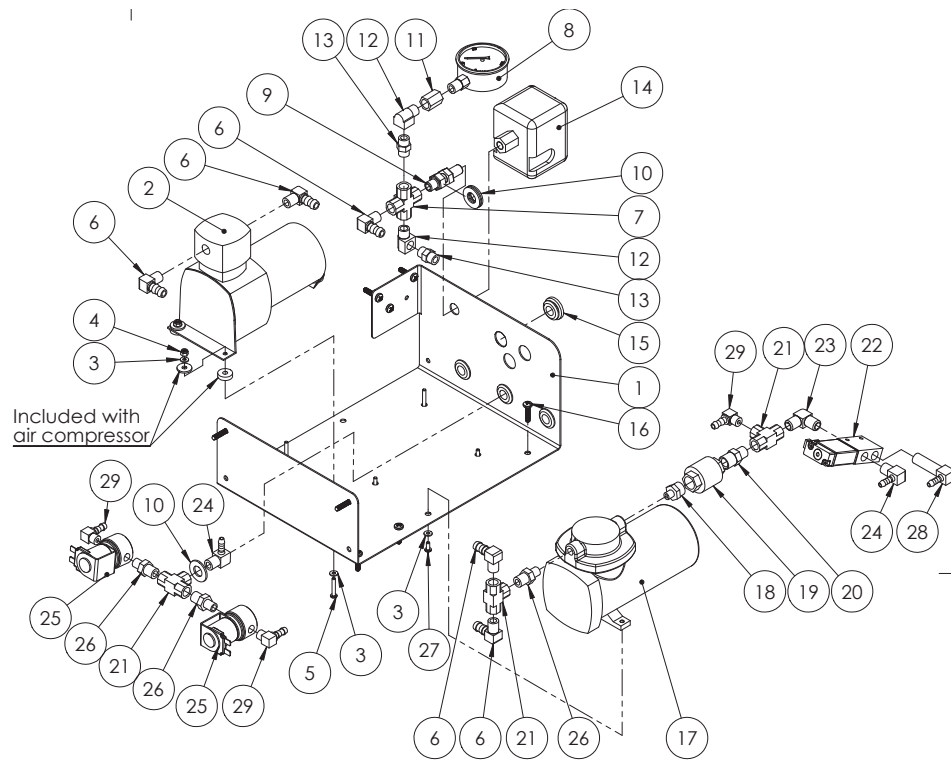
Flow Control Assembly

When foam marker fitted



ITEM NO.	PART NUMBER	DESCRIPTION	QTY.
1	F70784A	Plumbing Manifold Plate EF	1
2	MACH0128	1/4" barb to 1/4" barb fitting	5
3	MACH0129	3/4" barb to 3/8" barb fitting	1
4	MACH0130	1/4" BSPT male to 1/4" Barb Fitting	1
5	GA4582465	1/4" BSPT Nipple S/S suit RH Pod Manifold	1
6	GA5048300	1/4 Tee Female	1
7	GA5015643	Needle valve	2

Airbag and Foam Compressor Assembly



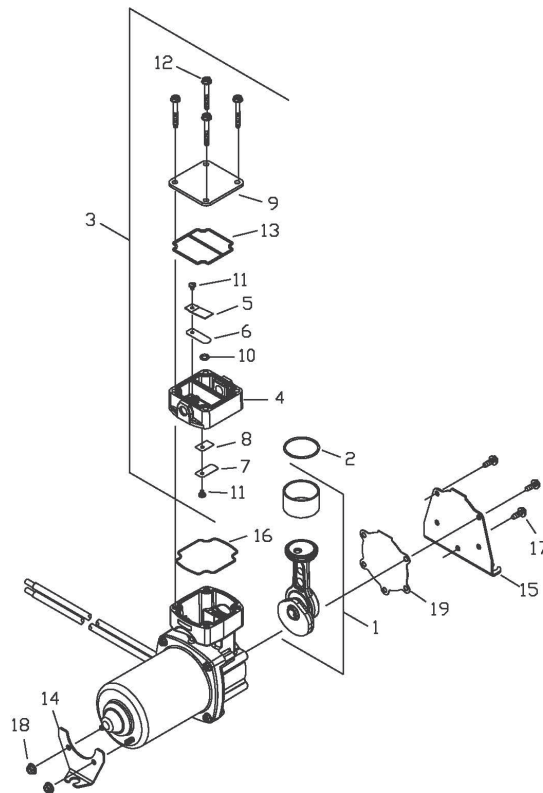
ITEM NO.	PART NUMBER	DESCRIPTION	QTY.
1	F70785A	Foam marker/air bag compressor mounting	1
2	GA5018809	Compressor suit airbag 327CDC56/12	1
3	GA5020510	M4 Washer Heavy duty SS	9
4	GA5049025	Nut M4 Nyloc SS	3
5	GA5049020	M4 x 25mm Machine Screw	3
6	GA5049290	Elbow brass 3/8 x 1/4	5
7	S32-04040404	1/4" BSPTFF equal cross	1
8	GA4948470	Small Face Gauge 160 psi	1
9	S44-0404	Nipple 1/4 x 1/4 with nut	1
10	GA5066235	Washer HD ZP M14	3
11	GA5066940	1/4" BSPP Socket Brass	1
12	GA5048305	Brass Elbow M & F extruded 1/4" x 1/4"	2
13	GA5050285	1/4" Brass Nipple	2
14	GA5016221	Switch differential Press.T/S Air Bag	1
15	GA5012199	29mm Neoprene Grommet	4
16	GA5000527	Screw 12G x 1 XR STS Pan SS	8
17	GA5018806	Air compressor suit foam marker	1
18	GA5020690	Nipple reducing Brass 1/8"x3/8"	1
19	GA5020010	One way valve 3/8 york	1
20	GA5045085	1/4" x 3/8" Brass Nipple	1
21	GA5048300	Tee Female Brass 1/4"	3
22	GA5002959	MAC Air Solenoid	1

Continued over page

Airbag and Foam Compressor Assembly

ITEM NO.	PART NUMBER	DESCRIPTION	QTY.
23	GA5008343	Elbow male thread 1/4 X 1/4	1
24	GA5048340	1/4" Brass Elbow	2
25	GA5018395	Solenoid liquid suit foam marker	2
26	GA5013809	Reducing Nipple 1/4 x 1/8	3
27	GA5011360	Bolt M4 x 10 Pan Head ZP	3
28	GA5008347	1/4" Brass Elbow Long	1
29	GA5066950	Barb elbow brass 1/4"x1/8"	3

Airbag Compressor



GA5018809 Airbag Compressor

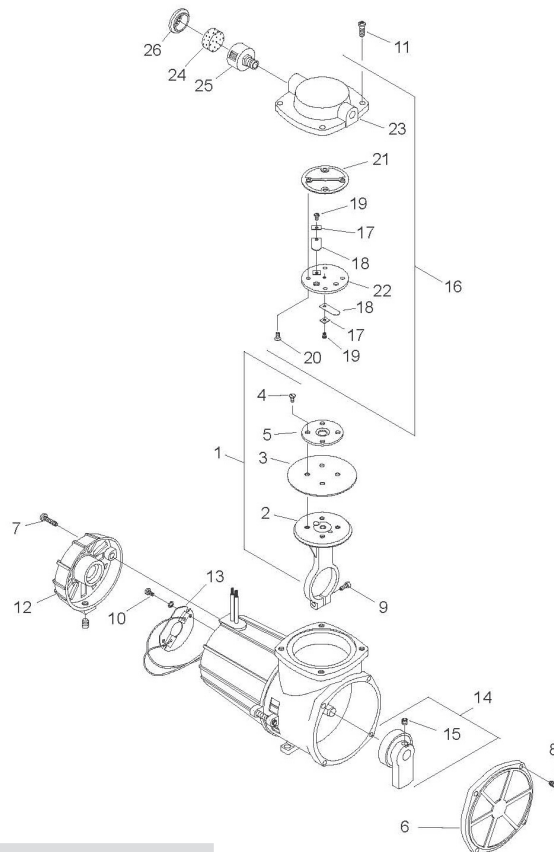
ITEM NO.	PART NUMBER	DESCRIPTION	QTY.
1		Connecting Rod & Eccentric Assembly	1
2		O Ring - Sleeve	1
3		Head Assembly	1
4		Head	1
5		Valve Restraint	1
6		Valve Flapper - Exhaust	1
7		Valve Flapper - Intake	1

Continued over page

Airbag Compressor

ITEM NO.	PART NUMBER	DESCRIPTION	QTY.
8		Valve Shim	1
9		Head Plate	1
10		O Ring - Valve Flapper	1
11		Screw - Valve Flapper	2
12		Screw - Head	4
13		O Ring Gasket	1
14		Bracket 12V	1
14		Bracket 24V	
15		Bracket	1
16		O Ring Gasket - Housing	1
17		Screw - Bracket	5
18		Nut - Bracket	2
19		Gasket - Bracket	1

Foam Marker Compressor



GA5018806 Complete assembly

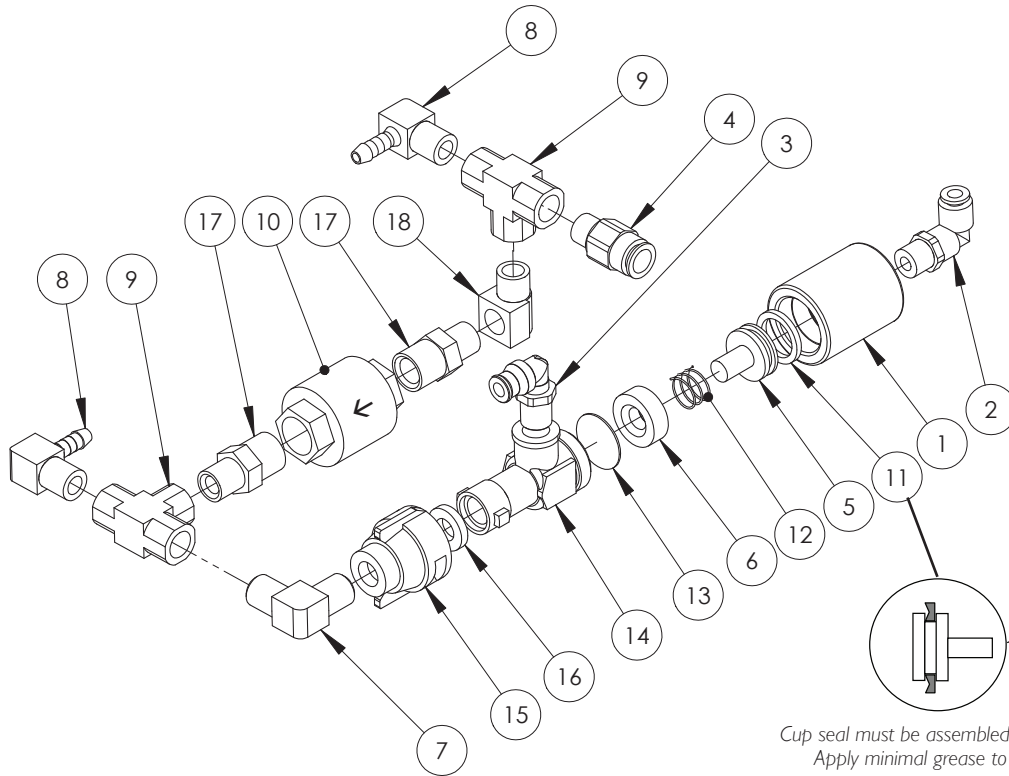
Item	Part No	Description	QTY
1	607180	Connecting Rod Assembly	1
2	607139	Connecting Rod	1
3	608148	Diaphragm	1

Continued over page

Foam Marker Compressor

Item	Part No	Description	QTY
4	625540	Screw - Hold Down Plate	4
5	654649	Hold Down Plate	1
6	614608	Front Cover	1
7	614608	Screw - Motor End Cap	2
8	625660	Screw - Front Cover	4
9	625114	Conn Rod. Screw	1
10	625476	Screw - Brush Card	2
11	625444	Screw - Head	4
12	620352	Motor End Cap Assembly	1
13	627093	Brush Card Assembly	1
14	645373	.18 Stroke Eccentric & Bearing Assy	1
	667611	.20 Stroke Eccentric & Bearing Assy	1
15	625244	Set Screw - Eccentric	1
16	660873-504	Head & Valve Plate Assembly	1
17	617045	Valve Keeper	2
18	621102	Valve Flapper - Intake & Exhaust	2
19	625160	Screw - Flapper	2
20	625606	Screw - Valve Plate	4
21	633439	Gasket - Head	1
22	654129	Valve Plate	1
23	660131-504	Head	1
24	641034	Filter Foam	1
25	660763	Filter Body	1
26	660767	Filter Body Cap	1

Foam Marker Exhaust Valve Assembly

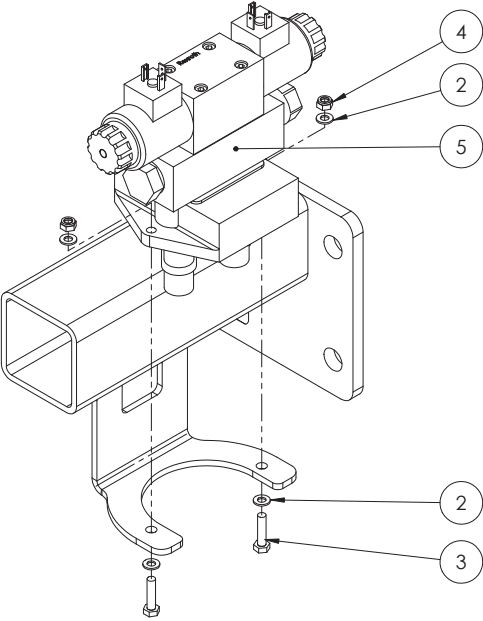


Cup seal must be assembled as shown.
Apply minimal grease to v-ring.

GA4912005 Pre Assembled Valve
GA4902160 Exhaust Valve Replacement Service Kit

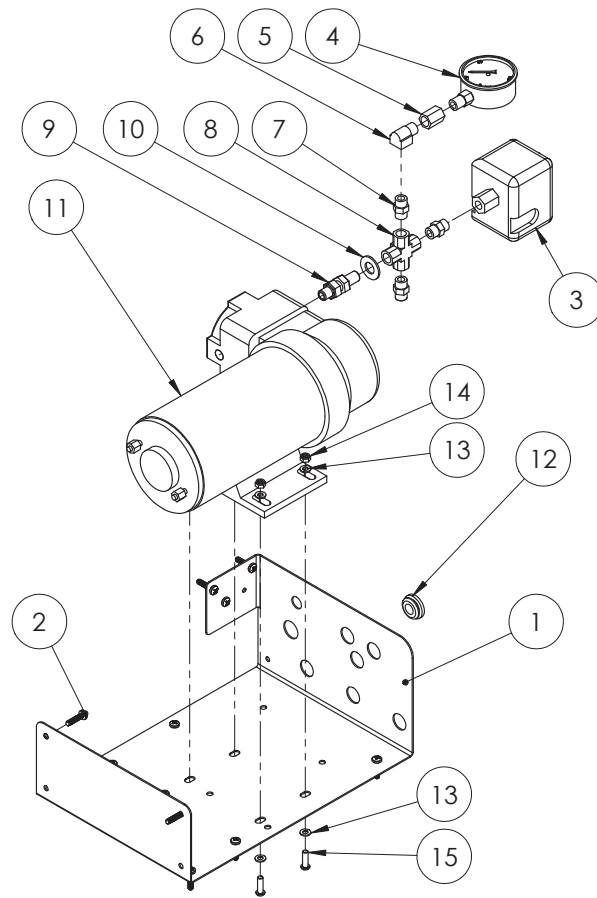
ITEM NO.	PART NUMBER	DESCRIPTION	QTY.
1	GA4572000	Air Chemsaver Body	1
2	GA5045145	Elbow Brass 6mm x 1/8 BSPT	1
3	GA5016233	Swivel Elbow push in Steel 6mmx1/4 BSP (LEGRIS)	1
4	GA5045140	Adaptor Brass 6mm x 1/4 BSPT	1
5	GA4572005	Air Chemsaver Piston	1
6	GA4572010	Air Chemsaver Washer	1
7	GA5008343	Elbow male thread 1/4 X 1/4	1
8	GA5048340	1/4" Brass Elbow	2
9	GA5048300	Tee Female Brass 1/4"	2
10	GA5020010	One way valve 3/8 york	1
11	CP50676-VI	Cup Seal (Foam Marker Exhaust Valve)	1
12	GA5045090	Spring 14.2x14	1
13	QJ8355-1-4-NYR	Exhaust Valve Diaphragm	1
14	005860036	Diaphragm Nozzle Body	1
15	QJ4676-1-4-NYR	Nozzle Cap	1
16	CPI9438-EPR	Cap Seal	1
17	GA5045085	1/4" x 3/8" Brass Nipple	2
18	GA5048305	Brass Elbow M & F extruded 1/4" x 1/4"	1

Fill Pump Spool



ITEM NO.	PART NUMBER	DESCRIPTION	QTY.
1	GA4654410	RH Side support frame subassembly	1
2	GA5004437	M6 SS Washer	4
3	GA5004073	M6x25 bolt	2
4	GA5048115	Nut nyloc M6	2
5	GA4903645	Fill pump hydraulic manifold assembly <i>(See chapter 18 for further information)</i>	1

Rapidfire Compressor Assembly



ITEM NO.	PART NUMBER	DESCRIPTION	QTY.
1	F70785A	Foam marker/air bag compressor mounting	1
2	GA5000527	Screw 12G x 1 XR STS Pan SS	11
3	GA5016221	Switch differential Press. T/S Air Bag	1
4	GA4948470	Small Face Gauge 160 psi	1
5	GA5066940	1/4" BSPP Socket Brass	1
6	GA5048305	Brass Elbow M & F extruded 1/4" x 1/4"	1
7	GA5050285	1/4" Brass Nipple	3
8	S32-04040404	1/4" BSPTFF equal cross	1
9	S44-0404	Nipple 1/4 x 1/4 with nut	1
10	GA5066235	Washer HD ZP M14	1
11	GA5053340	Compressor Rapid Fire	1
12	GA5012199	29mm Neoprene Grommet	1
13	GA5004437	M6 SS Washer	8
14	GA5048115	Nut nyloc M6	4
15	GA5004053	Bolt BHCS S'Steel M6x20	4