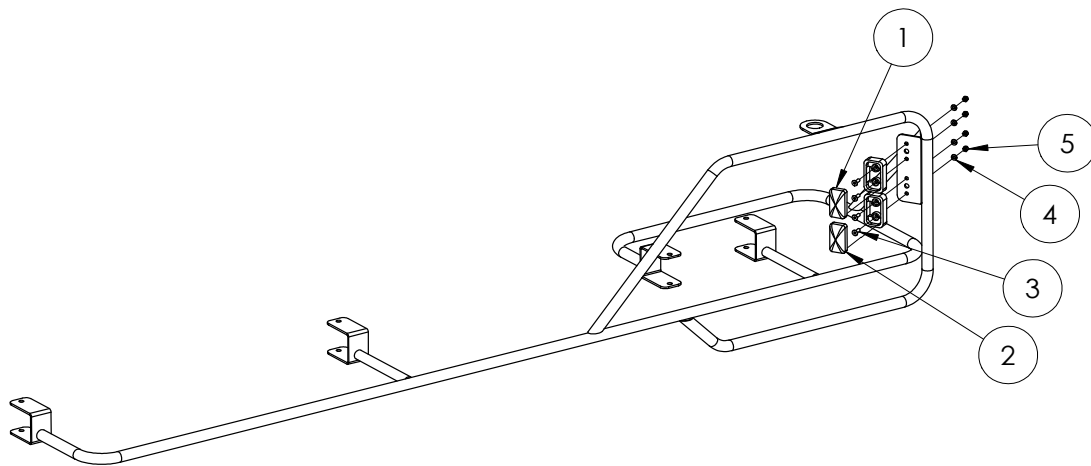


Chapter 15

ELECTRICS

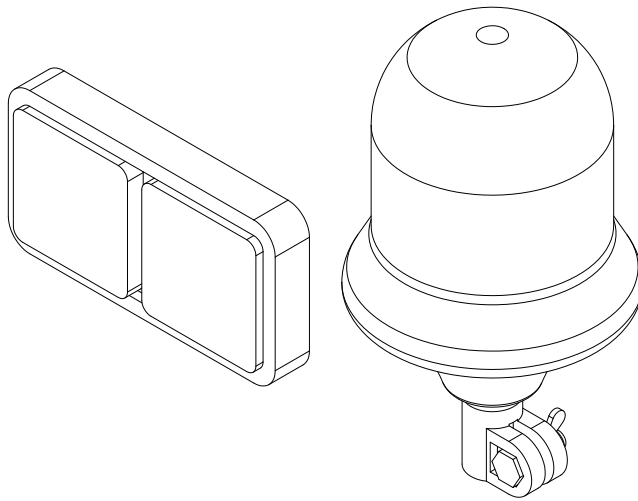
Boom LED Lights



Note: GA5060262 Boom fence line suit dual solenoid loom
Not shown

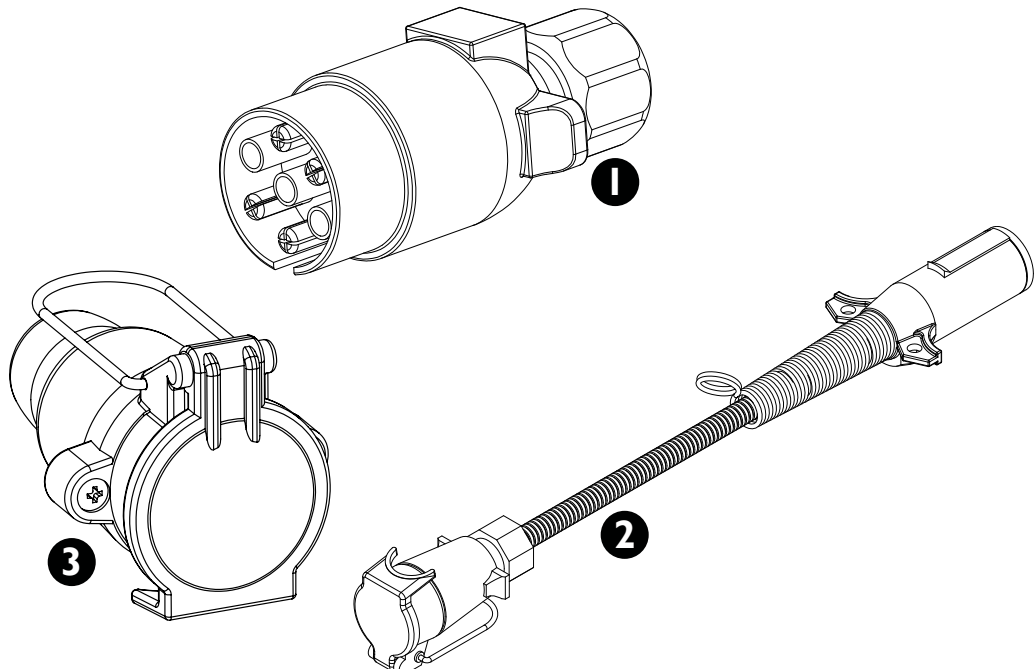
ITEM NO.	PART NUMBER	DESCRIPTION	QTY.
1	GA5060057	Clearance light with connector; Orange LED	1
2	GA5060056	Clearance light with connector; Red LED	1
3	GA5051230	CSCS M5 x 16 Countersink SS	4
4	GA5003983	Washer 5mm Flat SS	4
5	GA5003975	Nut M5 Nyloc SS	4

Lights



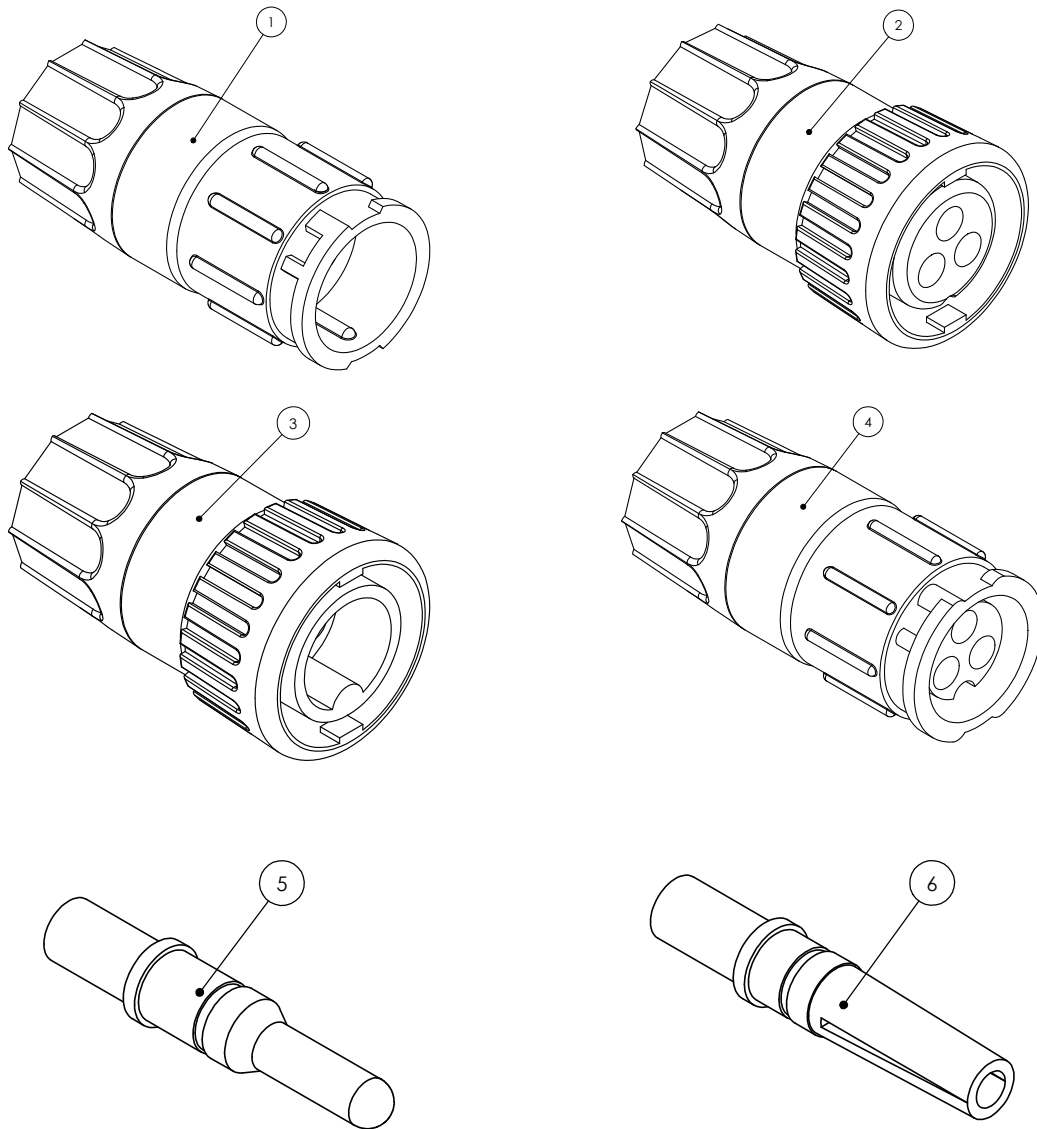
PART NO	DESCRIPTION
GA5018786	Lamp, LED, 12V, Brake / tail light / indicator, 190 x 100mm
GA5048975	Beacon, Rotating, Amber, DIN A pole mount, HI globe

Electrical Components



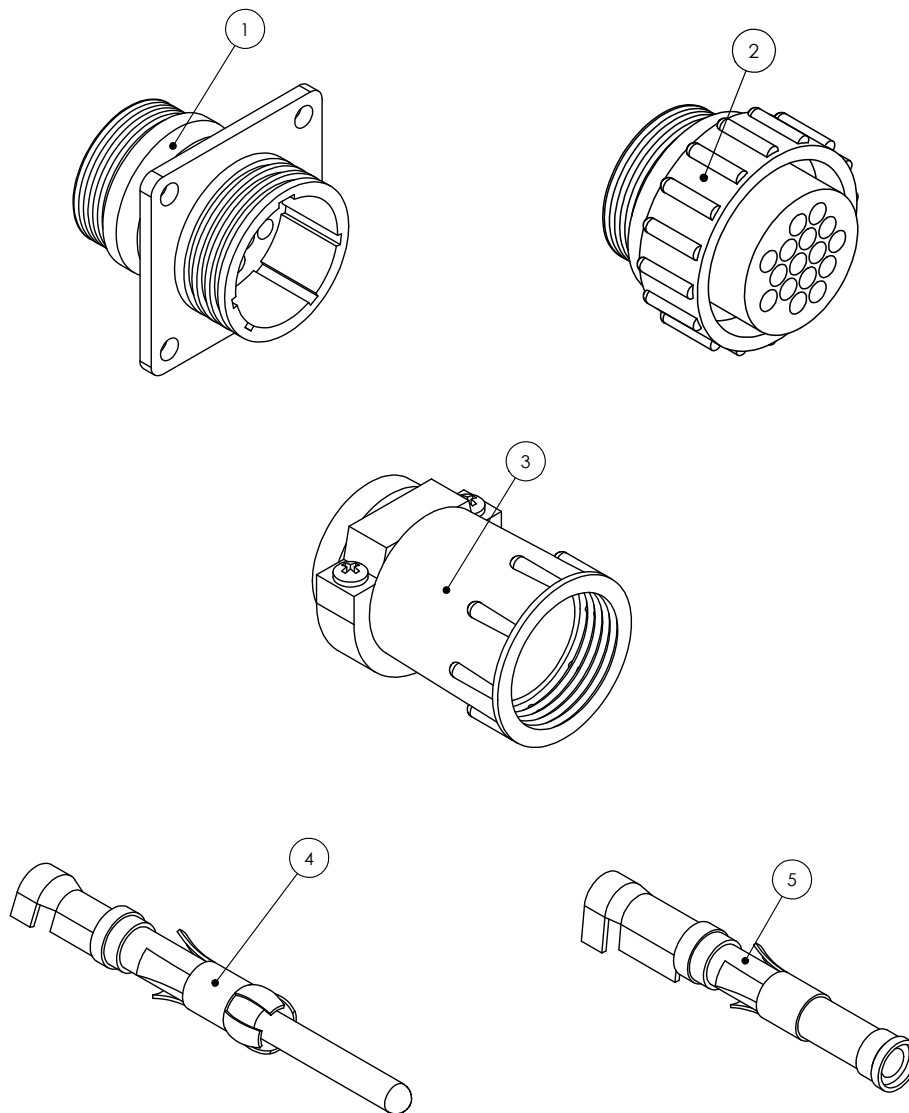
ITEM NO.	PART NUMBER	DESCRIPTION
1	GA5004477	Plug, 7 pin trailer type, Male, Plastic
2	GA5060350	Electrical harness, Adaptor, 7 pin female trailer plug to North American style male trailer plug
3	GA5004479	7 Pole Remote Base

Raven (AMP) Electrical Connectors



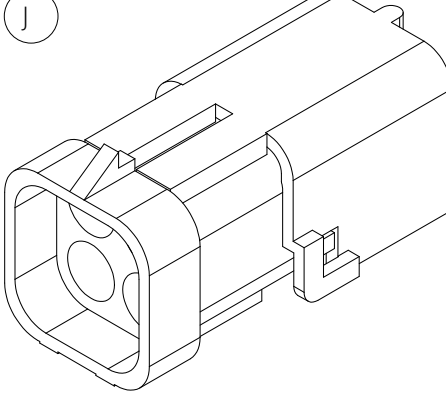
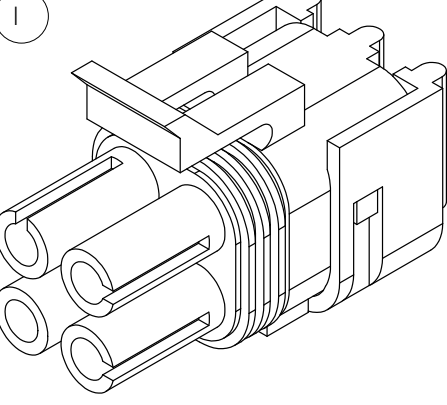
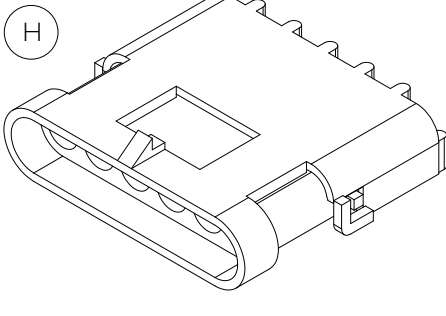
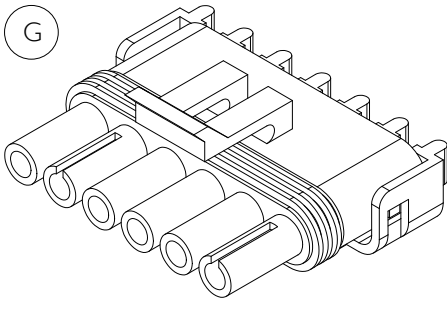
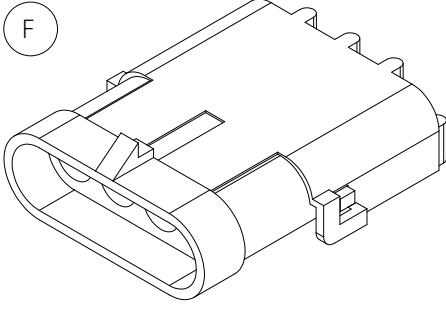
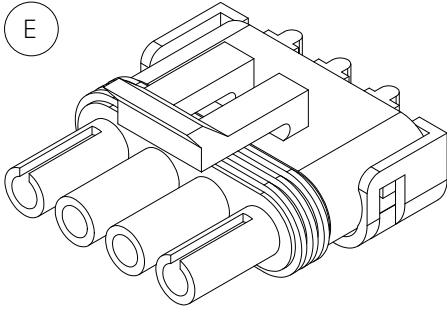
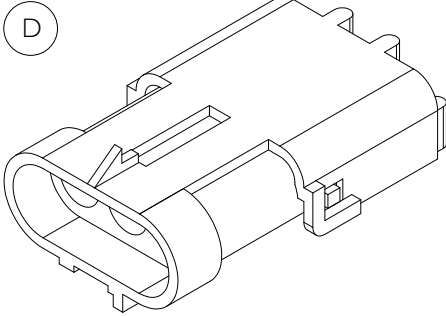
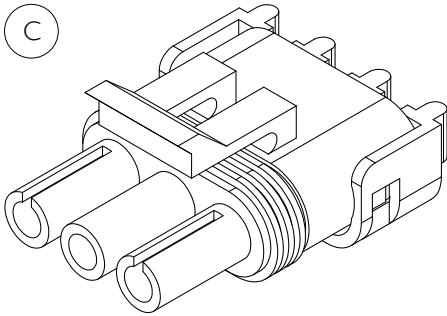
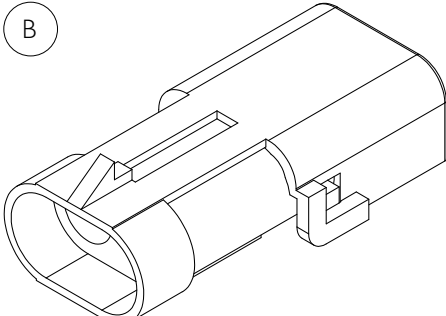
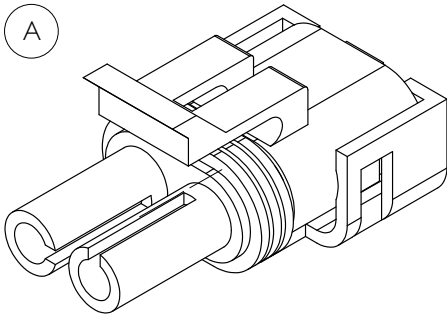
ITEM NO.	PART NUMBER	DESCRIPTION
1	4084001014	Connector, 3 Pin kit, Flow Meter, Including Male Pins, Raven
2	4084001015	Connector, 3 Pin kit, Flow Meter, Including Female Pins, Raven
3	4084001010	Connector, 3 Pin Kit, Speed Sensor, including Male Pins, Raven
4	4084001016	Connector, 3 Pin kit, Speed Sensor, Including Female Pins, Raven
5	4084001062	Pin, 16-20 Gauge, Male, Suit Speed Sensor - Flow Meter, Raven
6	4084001063	Pin, 16-20 Gauge, Female, Suit Speed Sensor - Flow Meter, Raven

Raven (AMP) Electrical Connectors

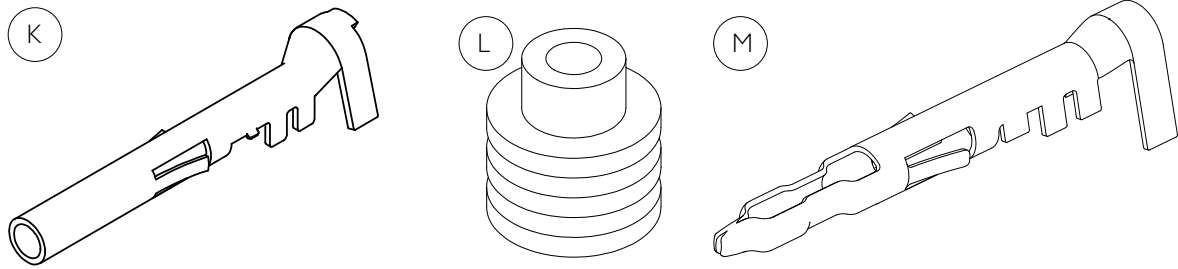


ITEM NO.	PART NUMBER	DESCRIPTION
1	4084001017	Connector, 16 Pin AMP, Square Flange, Suit Male Pins, Raven
2	4084001018	Connector, 16 Pin AMP, Suit Female Pins, Raven
3	GA5049175	Connector, Backing Shell, Suit 16 Pin AMP, Raven
4	GA5048905	Pin, 14-18 Gauge Gold, Male, Suit 16 Pin AMP
5	GA5048900	Pin, 14-18 Gauge Gold, Female, Suit 16 Pin AMP
	GA5020785	Connector, 37 Pin AMP, Male, Raven
	GA5020780	Connector, 37 Pin AMP, Female
	GA5020560	Connector, Backing Shell 23, Suit 37 Pin AMP, Standard size

Electrical Connectors



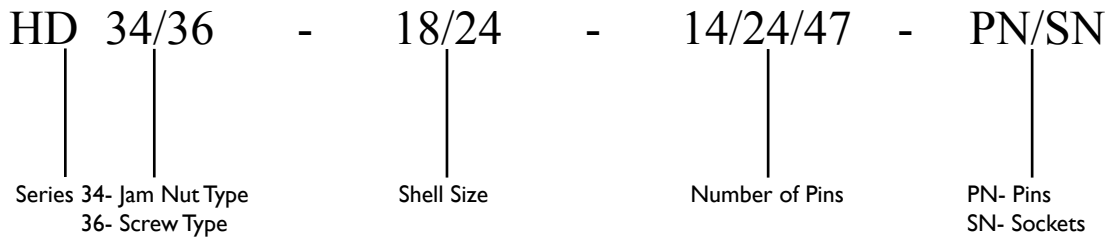
Electrical Connectors



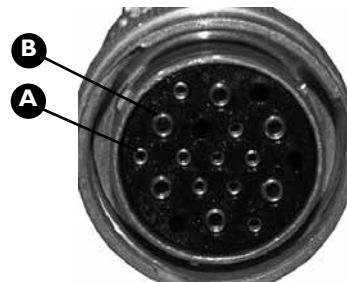
ITEM NO.	PART NUMBER	DESCRIPTION
A	GA5001351	Connector, Male, 2 Pin, Weather pack
B	GA5007381	Connector, 2 pin, Female, Weather pack
C	GA5002211	Connector, Male, 3 pin, Weather pack
D	GA5048550	Connector, Female, 3 Pin, Weather pack
E	GA5007385	Connector, Male, 4 pin, Weather pack
F	GA5007383	Connector, Female, 4 pin, Flat, Weather pack
G	GA5004009	Connector, Male, 6 pin, Weather pack
H	GA5048510	Connector, Female, 6 pin, Weather pack
I	GA5049000	Connector, Female, 4 pin, Square, Weather pack
J	GA5050805	Connector, Male, 4 pin, Square, Weather pack
K	GA5016619	Pin, Female, Sealed, Weather pack, Wire 1.0 - 2.0mm
L	GA5014857	Seal, Green, Weather pack connector, Wire from 2.03 - 2.85mm
M	GA5016617	Pin, Male, Sealed, Weather pack, Wire 1.0 - 2.0mm

Deutsch Electrical Connectors

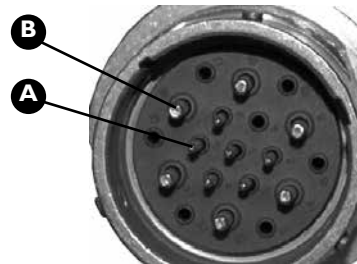
Deutsch Part Number Breakdown



ITEM NO.	PART NUMBER	DESCRIPTION
A	GA5061225	16GA Female Deutsch Socket
B	GA5061270	12GA Female Deutsch Socket



ITEM NO.	PART NUMBER	DESCRIPTION
A	GA5061240	16GA Male Deutsch Pin
B	GA5061260	12GA Male Deutsch Pin



Deutsch Electrical Connectors

ITEM NO.	PART NUMBER	DESCRIPTION
A	GA5002671	HD34-18-14PN Connector
B	GA5002675	HD34-24-21PN Connector



ITEM NO.	PART NUMBER	DESCRIPTION
A	GA5002663	HD36-18-14SN Connector
B	GA5002655	HD36-24-21SN Connector



PART NUMBER	DESCRIPTION
GA5062635	HD34-24-47-PE Connector(47 Socket)
GA5061225	Small Male Socket
GA5061260	Large Male Socket



PART NUMBER	DESCRIPTION
GA5062640	HD36-24-47-SE-059 Connector(47 Pin)
GA5061210	Small Female Pin
GA5061230	Large Female Pin



PART NUMBER	DESCRIPTION
GA5021310	HD36-24-19SN-059 Connector (19 socket)



PART NUMBER	DESCRIPTION
GA5021315	HD34-24-19PN Connector (19 pin)



Deutsch Electrical Connectors

PART NUMBER	DESCRIPTION
GA5020920	Plug for size 24 Connector with External Thread on Plug
GA5020910	Plug for size 18 Connector with External Thread on Plug



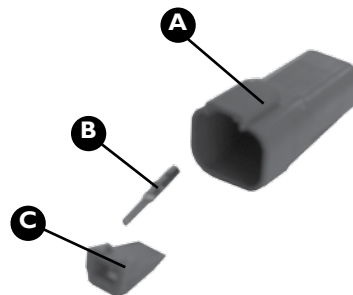
PART NUMBER	DESCRIPTION
GA5020925	Plug for size 24 Connector with External Thread on Connector
GA5020915	Plug for size 18 Connector with External Thread on Connector



ITEM NO.	PART NUMBER	DESCRIPTION
A	GA5012399	Connector Lock Nut suit 24 shell
	GA5009887	Connector Lock Nut suit 18 shell
B	GA5017621	Connector Lock Washer suit 24 shell
	GA5009893	Connector Lock Washer suit 18 shell

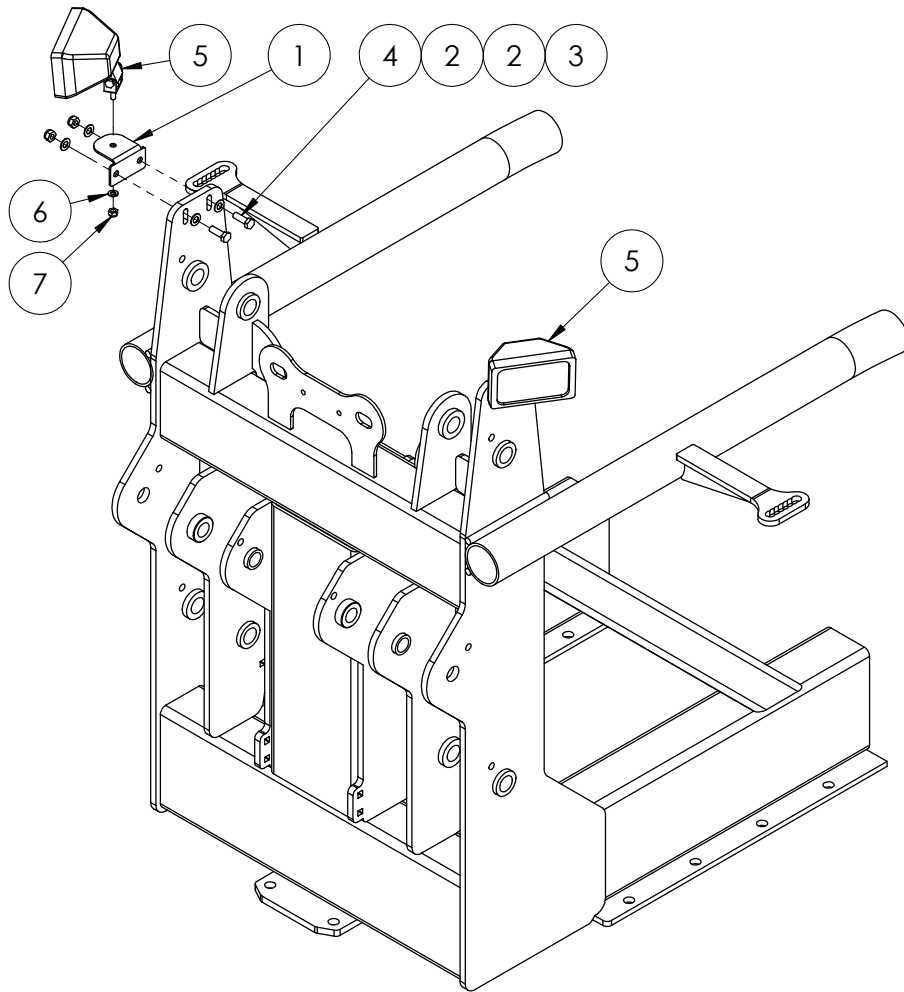


ITEM NO.	PART NUMBER	DESCRIPTION
A	GA5013783	Housing (4 Pin)
B	GA5061240	Pin
C	GA5050765	Lock Wedge



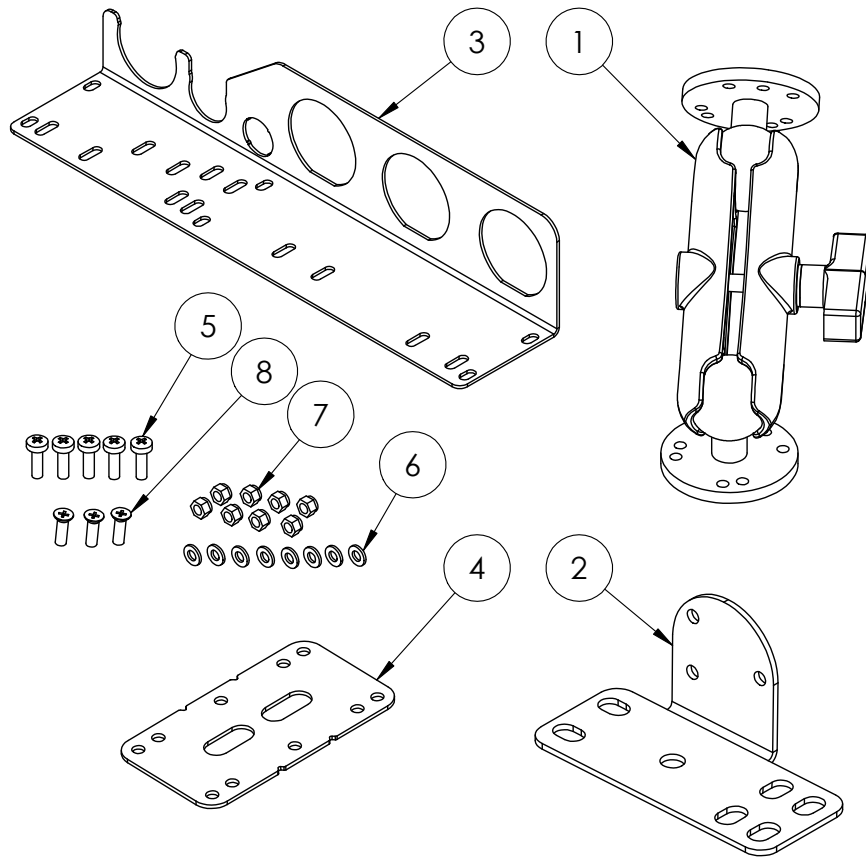
Boom Lights Mount

Chassis cut down rear view



ITEM NO.	PART NUMBER	DESCRIPTION	QTY.
1	GA4522570	Bracket boom light mounting suit EF	2
2	GA5000115	Washer 10mm Flat SS	8
3	GA5000141	Nut M10 Nyloc ZP	4
4	GA5065455	Bolt M10 x 30 ZP GR8.8	4
5	GA5050105	Light, work, flood stringray 138 x 82mm, bare wires	2
6	GA5004883	Washer 8mm Flat ZP Heavy Duty	2
7	GA5051700	Nut 5/16" UNC Nyloc ZP	2

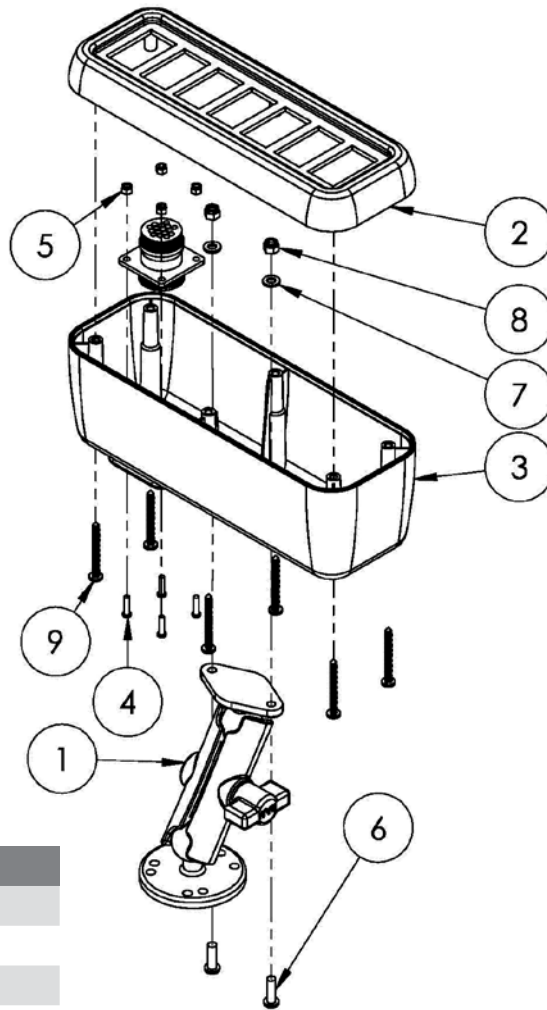
Console Mounting Kit



GA4903666 Complete console mounting kit

ITEM NO.	PART NUMBER	DESCRIPTION	QTY.
1	GA5020825	RAM Mount, Universal, Adjustable kit 101U	1
2	GA4522930	Tractor controller ram mount bracket	1
3	GA4523475	Loom support plate suit 440 and 4400	1
4	GA4523935	Control box dual mounting plate	1
5	GA5003976	M5 x 20mm Pan head Screw	5
6	GA5003983	Washer 5mm Flat SS	8
7	GA5003975	Nut M5 Nyloc SS	8
8	GA5051230	Set Screw M5 x 16 Countersink SS	3

Control Boxes



For switchbox decals refer to chapter 17 “Decals”

COMPLETE SWITCH BOXES

Switch Box A GA4903710

Switch Box B GA4903715

Switch Box C GA4903720

SWITCH PART NUMBERS

Switch, Rocker, On / off, Twin globe blue lens GA5012671

Switch, Rocker, On / Off / On, Twin bulb back light, Blue lenses GA5012673

Switch, Rocker, Momentary, On / Off / On, 2 pole, No bulb or actuator GA5060410

Carling Switch Blank Hole Panel Plug (black) GA5006421

Switch Evo steering calibrate GA5053525

ITEM NO.	PART NUMBER	DESCRIPTION	QTY.
1	GA5068930	Ram mount RAM-B138	1
2	GA5075100-02	Switch box bare 7 switches MY2011 Top	1
3	GA5075100-01	Switch box bare 7 switches MY2011 Base	1
4	GA5003083	Screw M3 x 12 Pan Head Machine	4
5	GA5049465	Nut M3 Nyloc SS	4
6	GA5003977	Bolt M5 x 16 Pan Head SS	2
7	GA5003983	Washer 5mm Flat SS	2
8	GA5003975	Nut M5 Nyloc SS	2
9	GA5075105	Screw Phillips head 8G 1 1/2" Pan head self tapping SS	6
10	GA5060242	Loom hydraulic / base sprayer suit 7 switch box	1