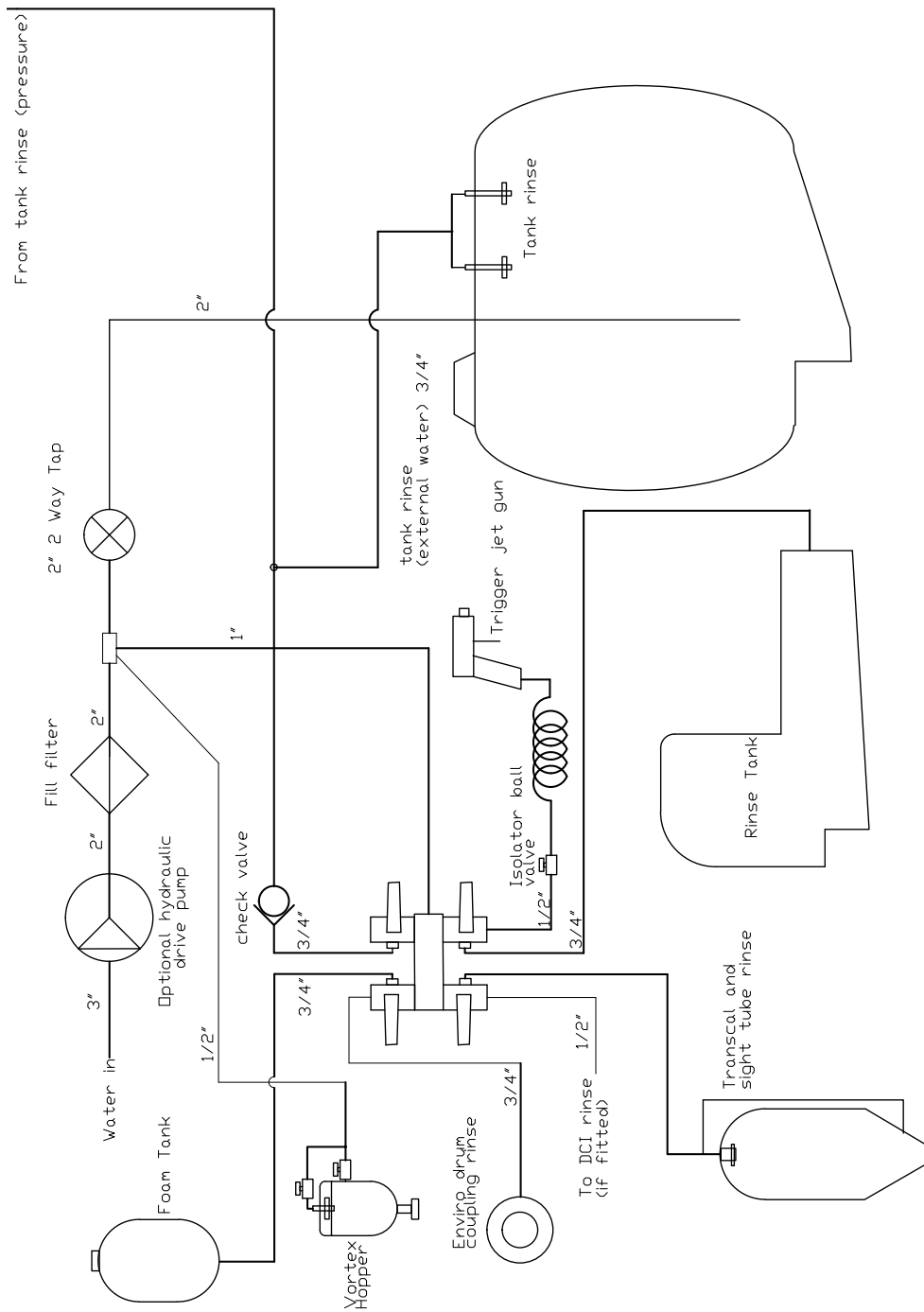
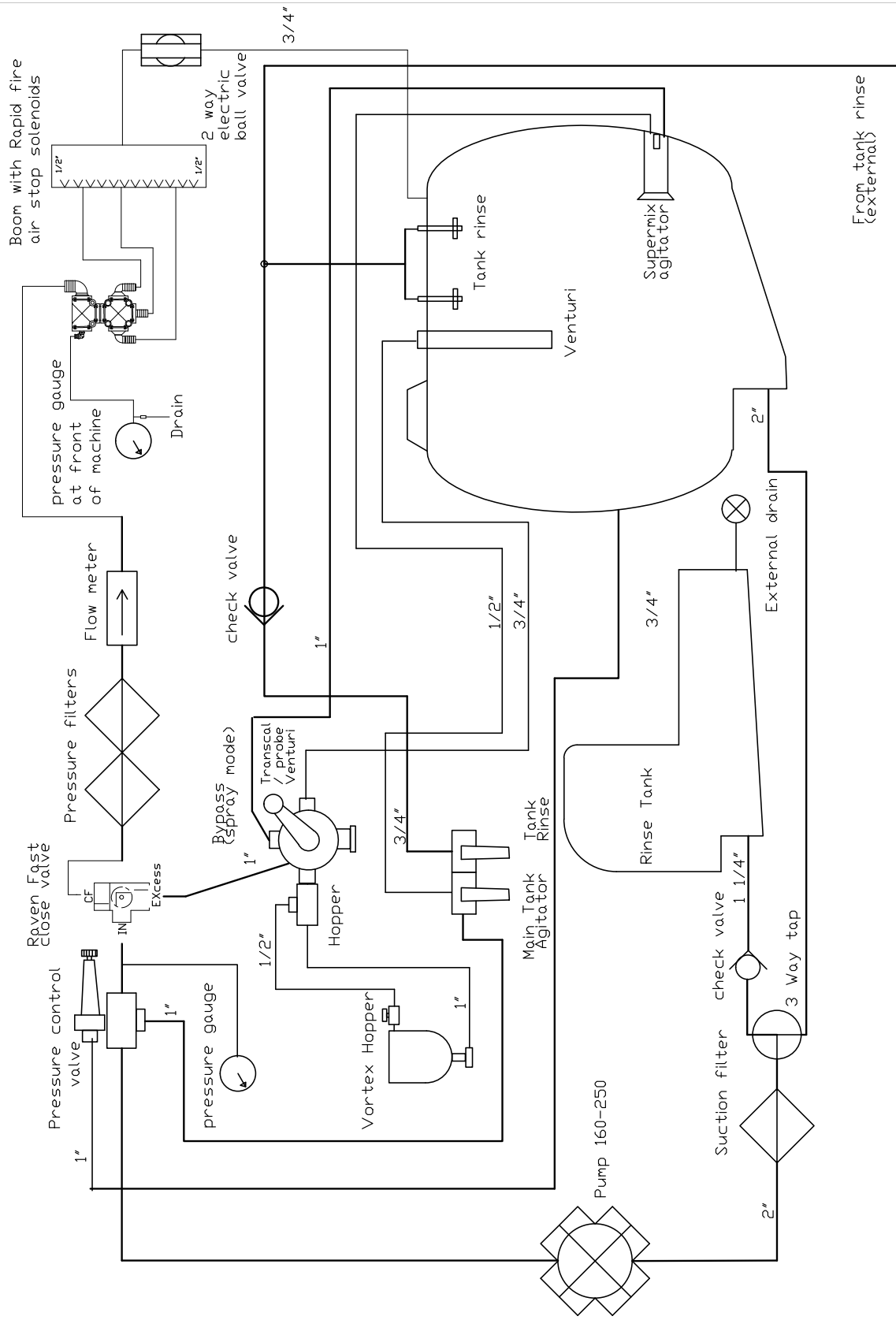


SCHEMATICS

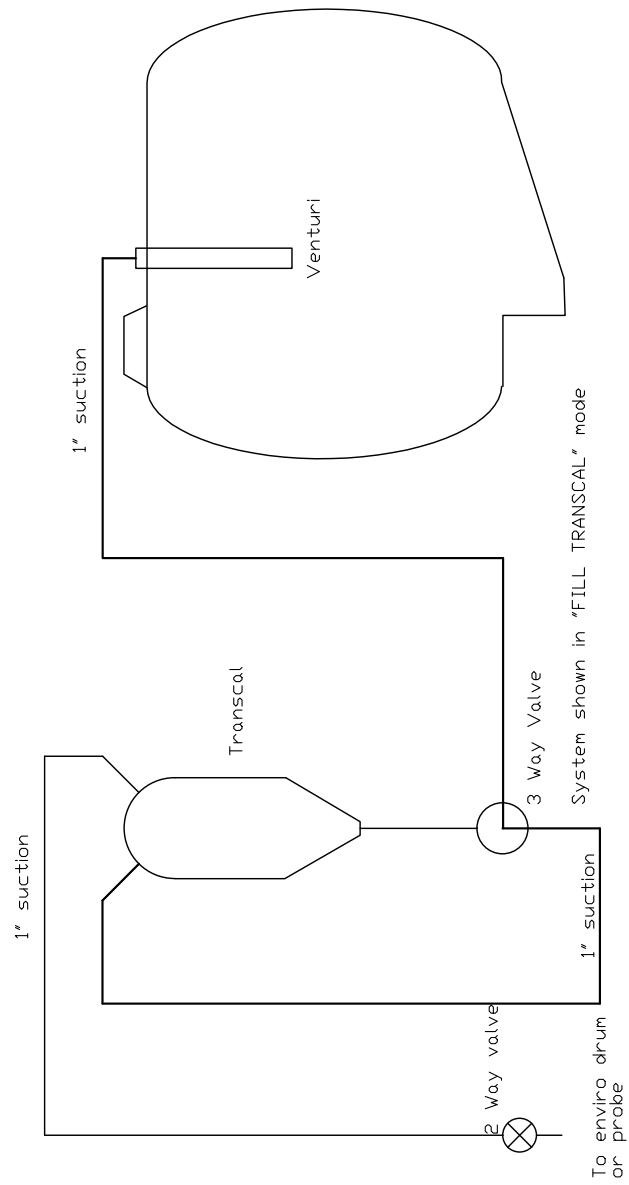
Fresh Water Delivery



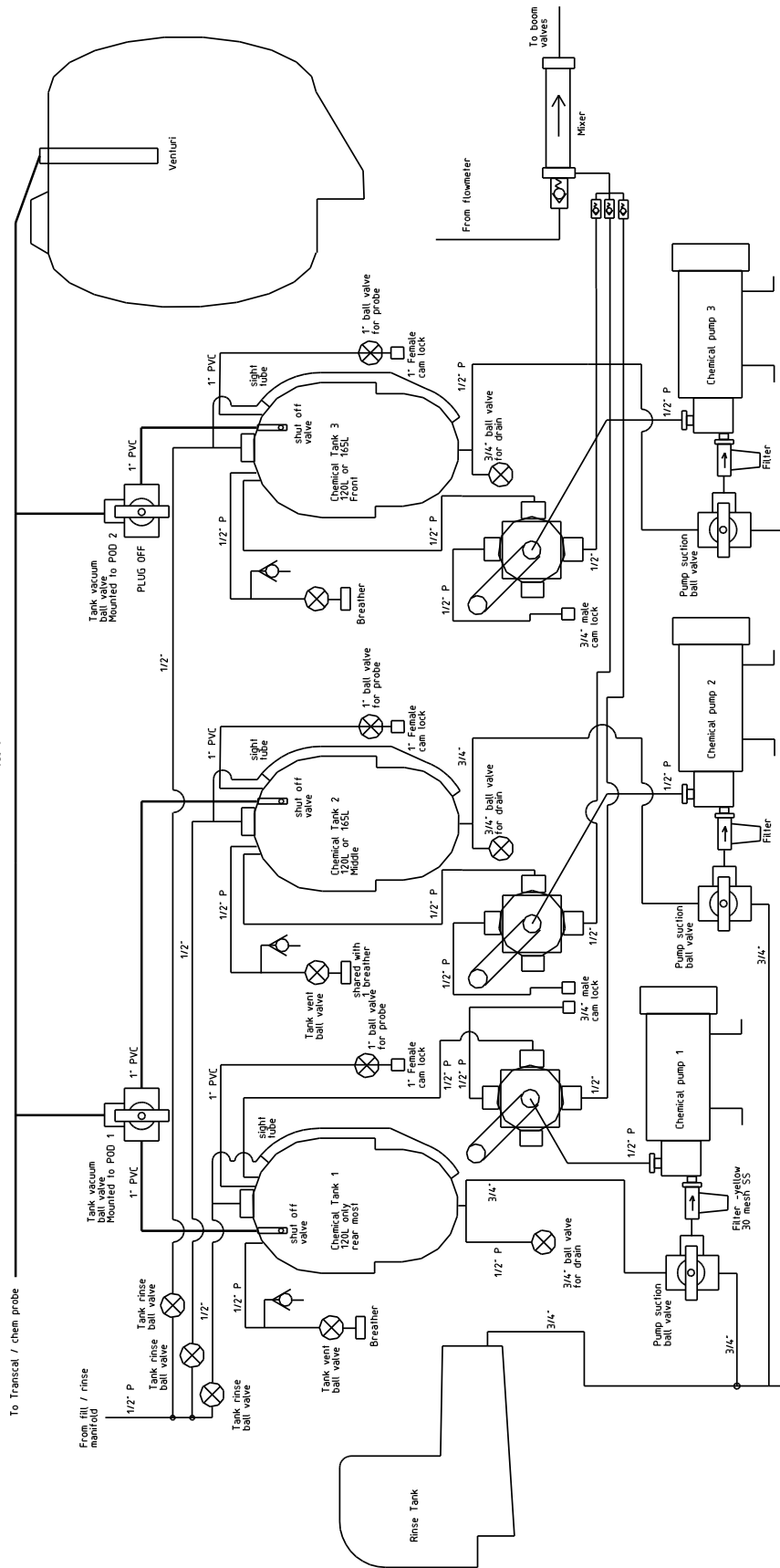
RapidFlow Schematic



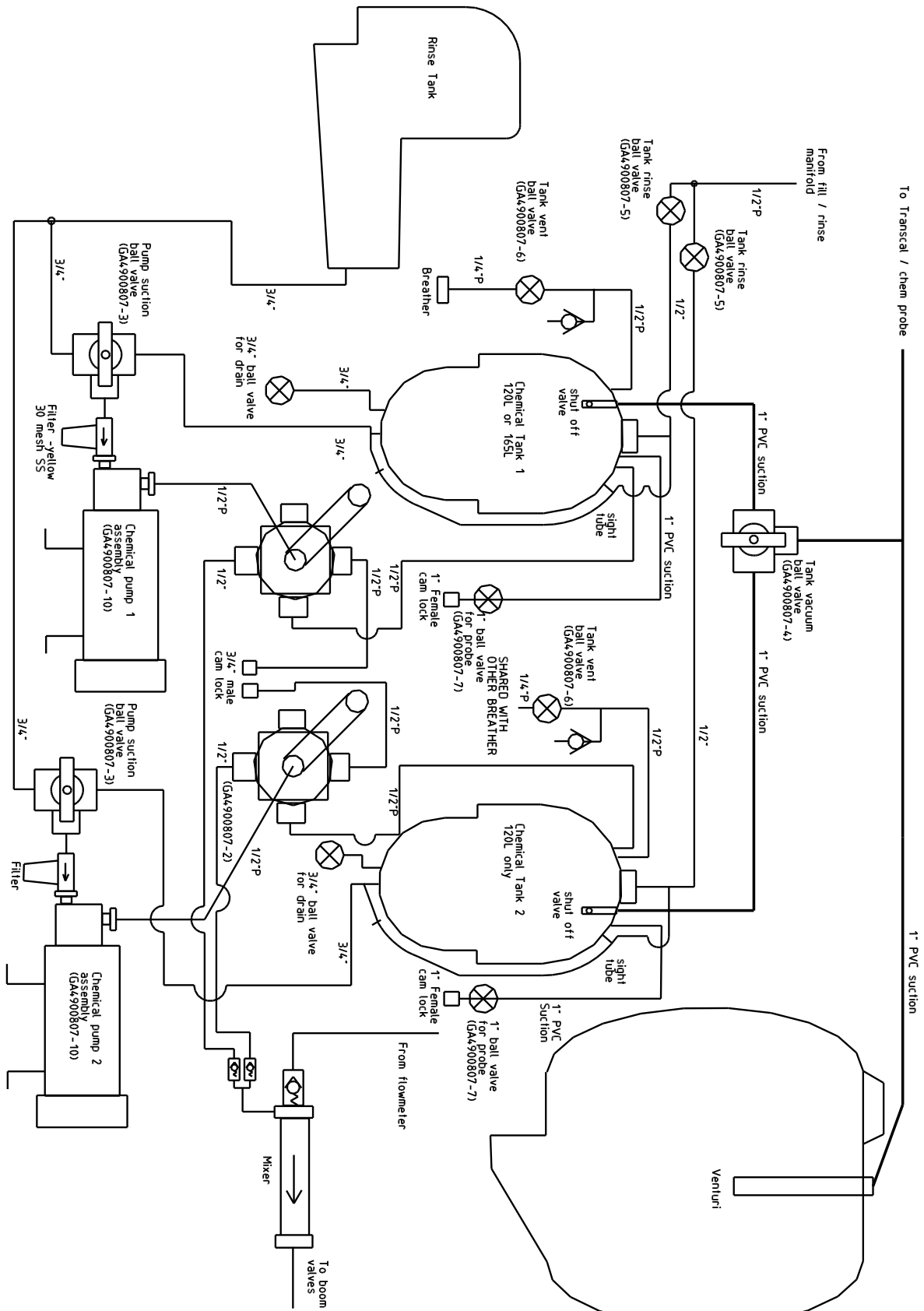
Transcal Schematic



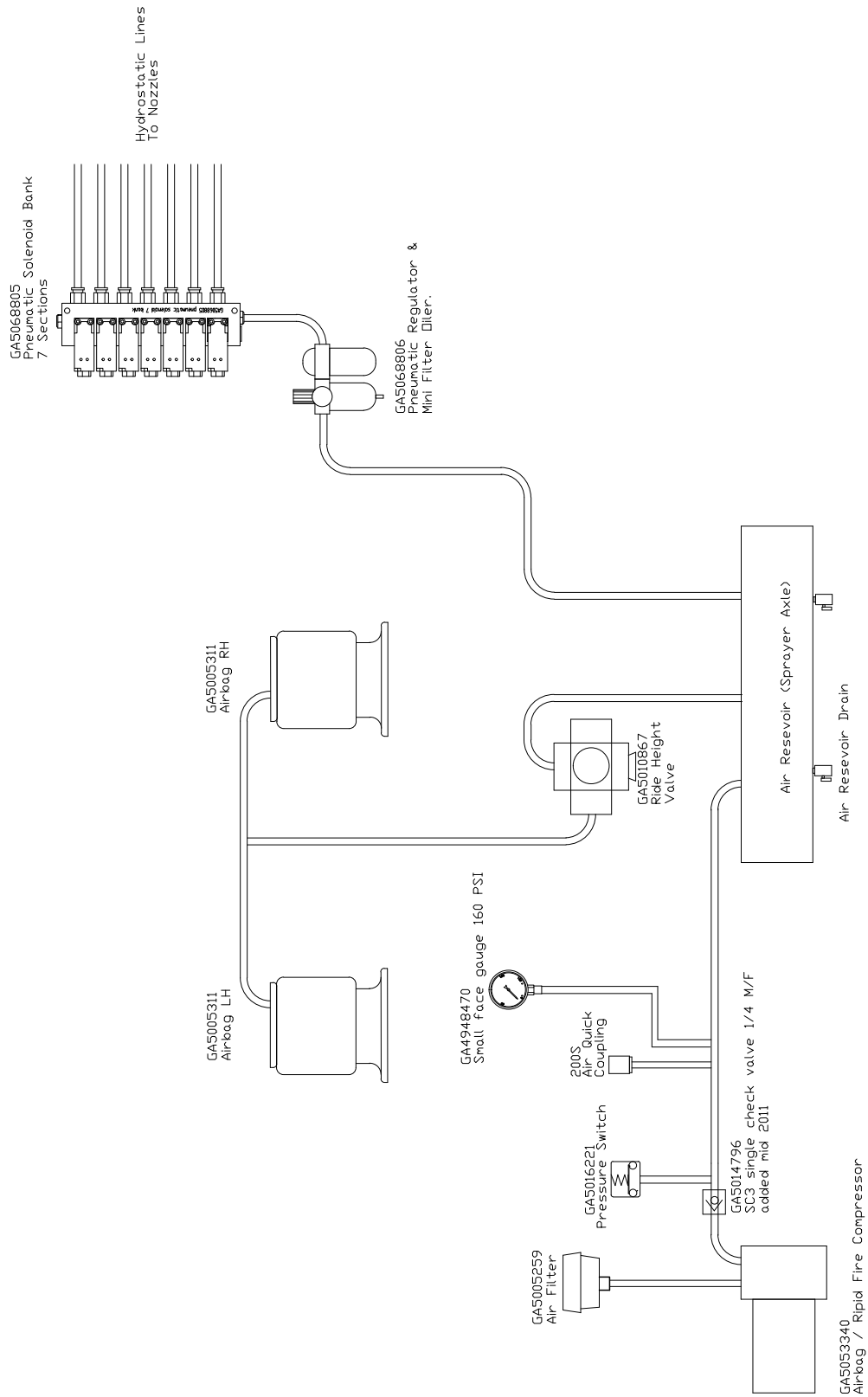
DCI Schematic



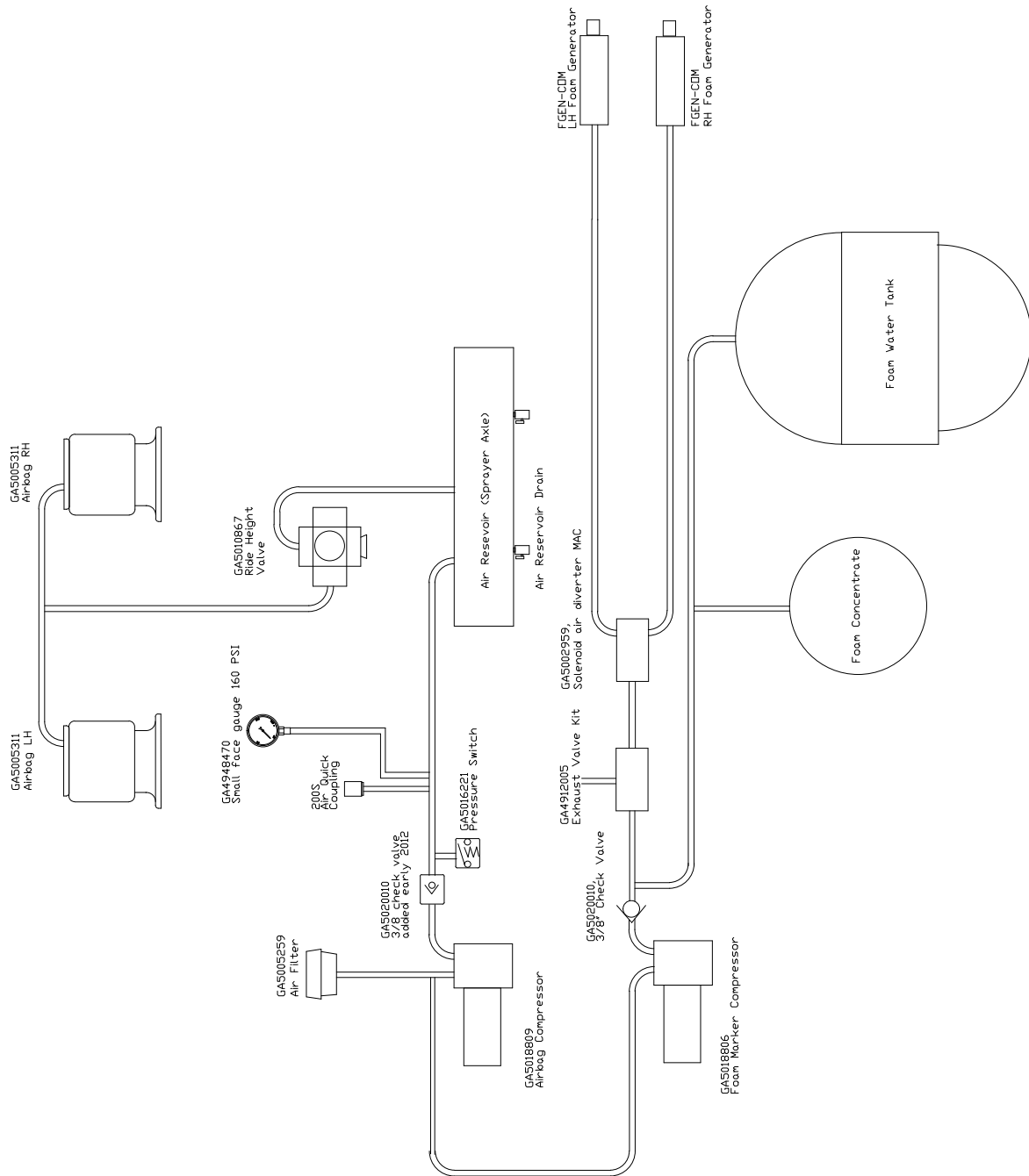
DCI Schematic



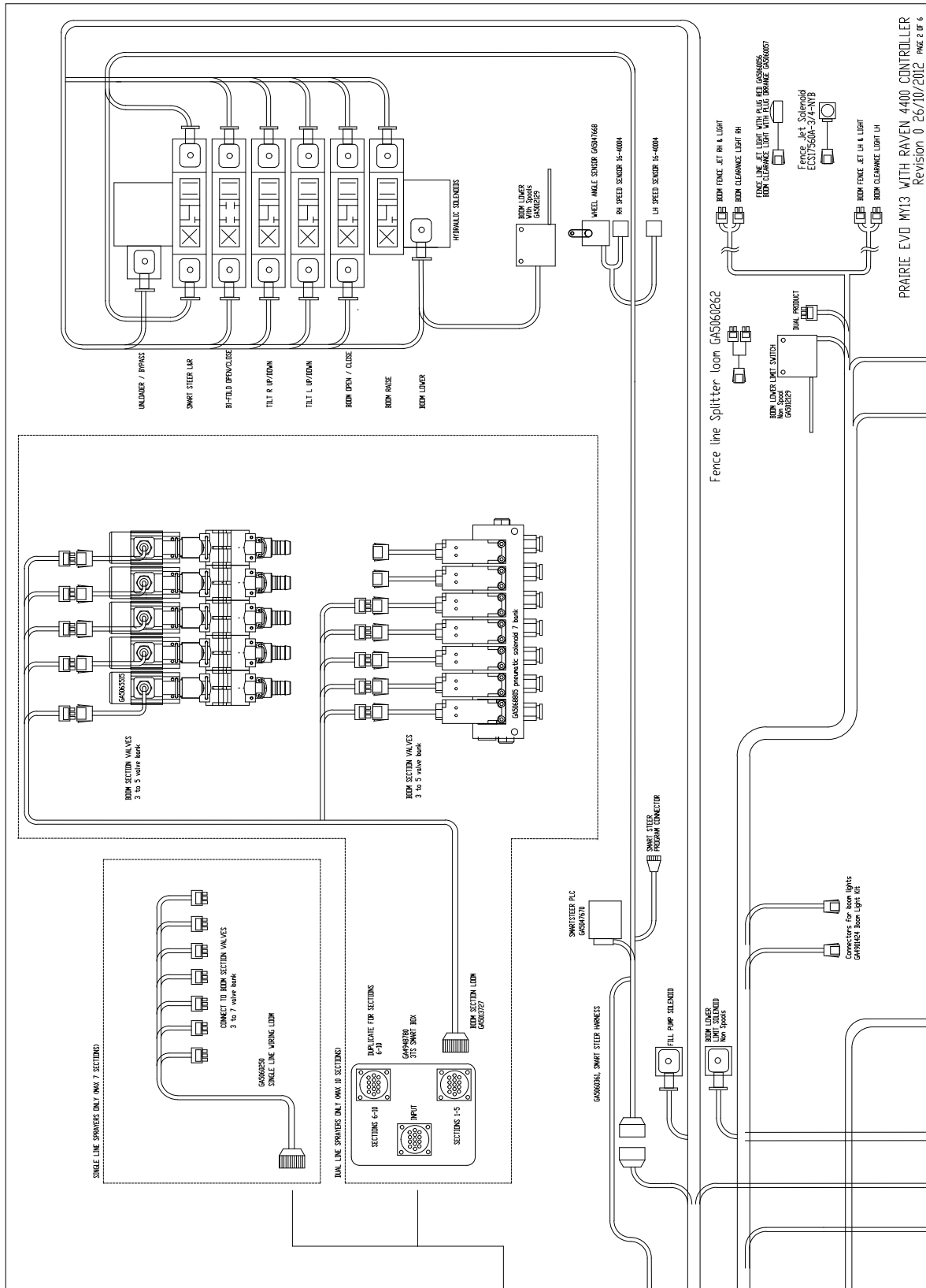
Pneumatic Layout Airbag with RapidFire



Pneumatic Layout Airbag-Foam Marker

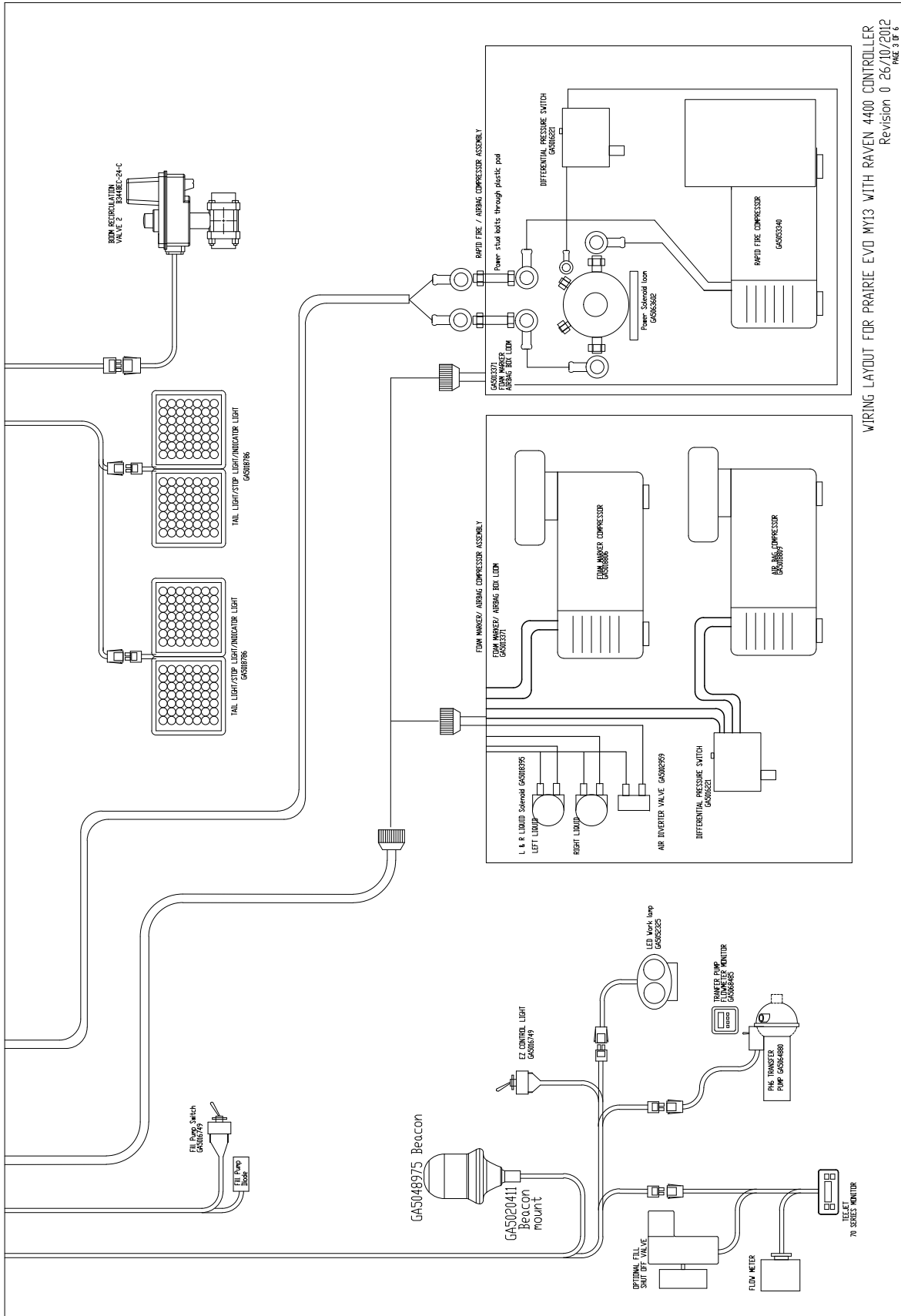


Electrical Layout - Page 2



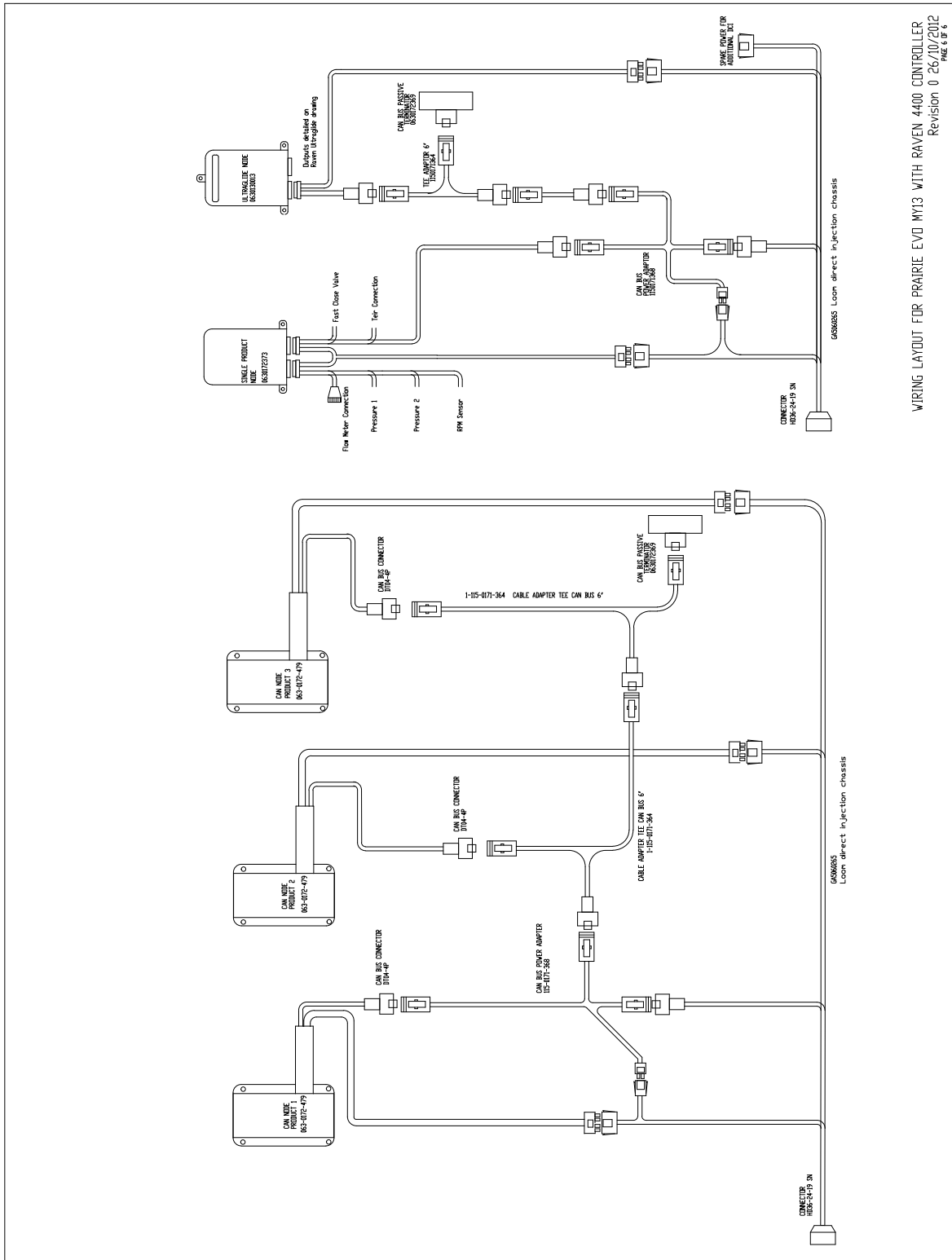
PRAIRIE EVO MY13 WITH RAVEN 4400 CONTROLLER
 Revision 0 26/10/2012
 PAGE 2 OF 6

Electrical Layout - Page 3



WIRING LAYOUT FOR PRAIRIE EVO MY13 WITH RAVEN 4400 CONTROLLER
Revision 0 26/10/2012
PAGE 3 OF 6

Electrical Layout - Page 6



WIRING LAYOUT FOR PRAIRIE EVO MY13 WITH RAVEN 4400 CONTROLLER
 Revision 0 26/10/2012
 PAGE 6 OF 6

