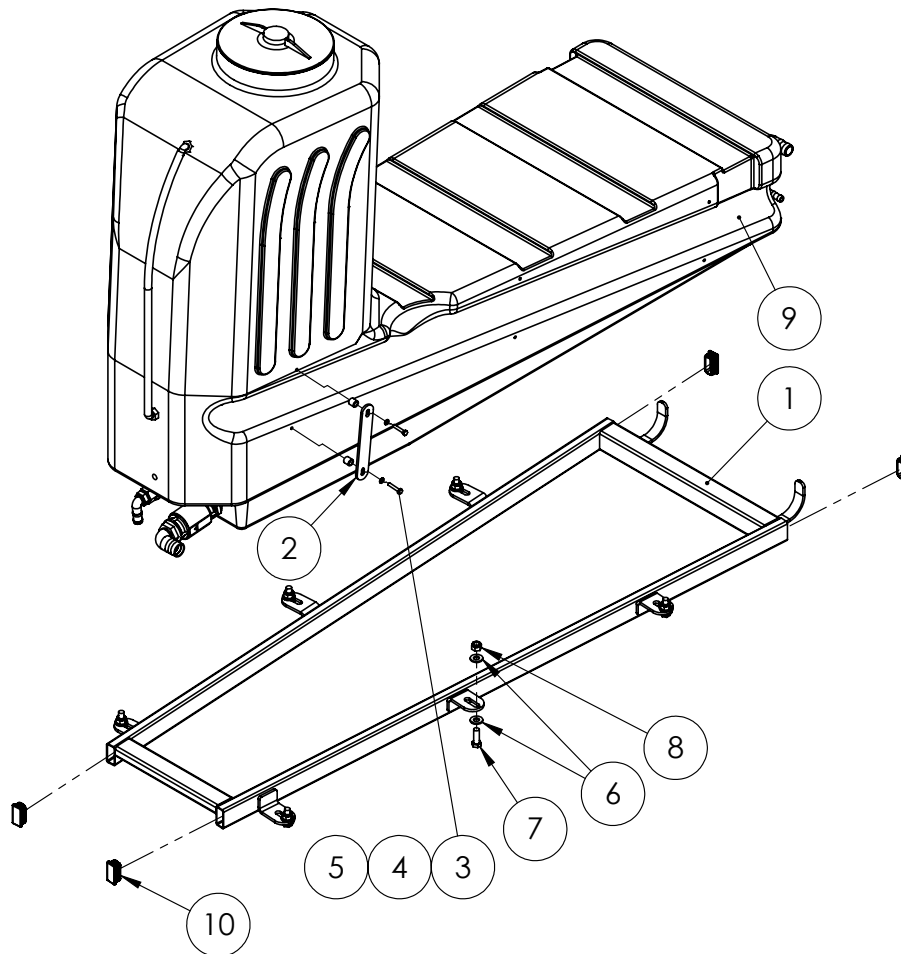


Chapter 3

FLUSH TANK

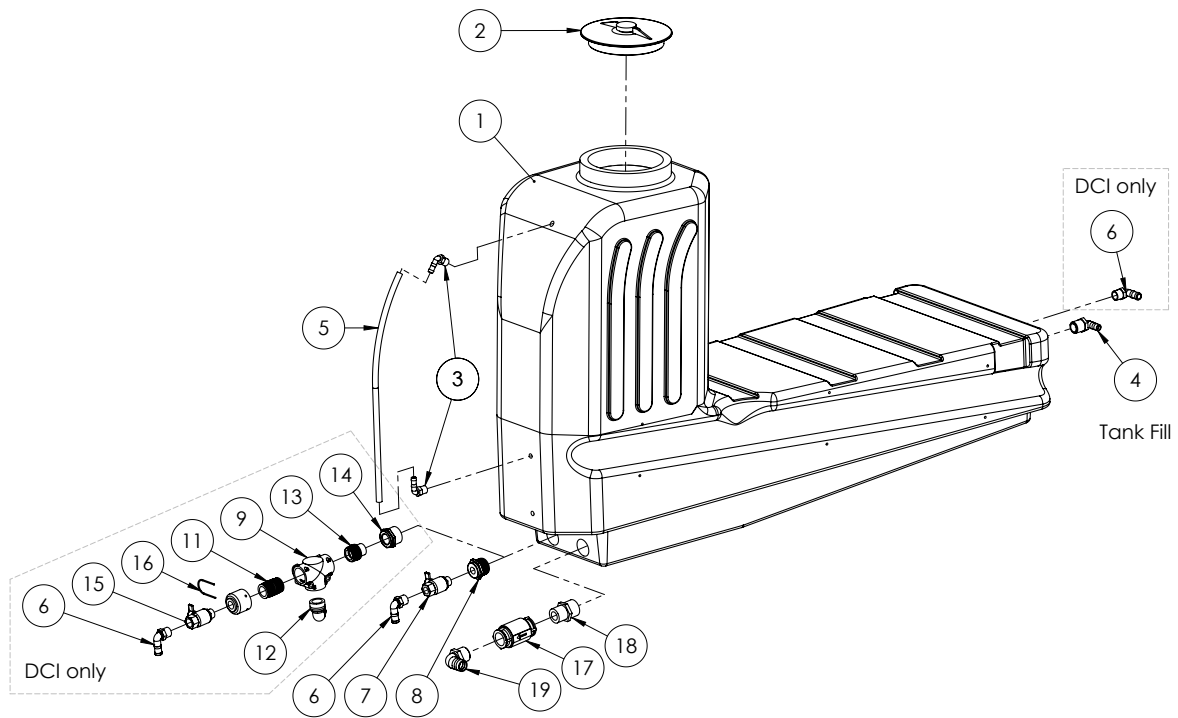
400L Flush Tank Frame



ITEM NO.	PART NUMBER	DESCRIPTION	QTY.
1	GA4654320	Rinse tank frame advance	1
2	F70681A	Hose Strap for Belly Tank	2
3	GA5011405	Bolt M6 x 35 ZP GR8.8	4
4	GA5004437	Washer 6mm Flat SS	4
5	GA4552075	Crush tube, 10.2 ID x 15 OD x 15mm long	4
6	GA5000577	Washer 12mm Flat SS HD	12
7	GA5000311	Set screw, M12 x 35, ZP GR 8.8	6
8	GA5012461	Nut M12 Nyloc ZP	6
9	*	400L Flush Tank Assembly	1
10	GA5003733	Tube Insert 50 x 25mm rectangular 0.83	4

* Sub-assembly on following pages

400L Flush Tank Assembly



ITEM NO.	PART NUMBER	DESCRIPTION	QTY.
1	GA5018367	Tank 400lt Underbelly, Bare	1
2	GA5076882	Lid, Tank, 255 diameter, With breather	1
3	GA5077708	Hose barb, Elbow, 90 degree, 1/2" male thread x 1/2" hose, Banjo	2
4	GA5077719	Hose barb, Elbow, 90 degree, 1" male thread x 3/4" hose, Banjo	1
5	GA2000209	12mm sight tube (cut 660mm)	1
6	GA5077717	Hose barb, Elbow, 90 degree, 3/4" male thread x 3/4" hose, Banjo	3
7	GA5018315	Valve, Ball, 20mm, 3/4" male, female, Black Butterfly handle, Brass	1
8	GA5078017	Reducing bush, 1 1/2" male thread x 3/4" female thread, Banjo	1
9	GA5065555	Tee, AS40 female, no M8 inserts	1
10	GA4582410	Cap Altek AS40 with 3/4" BSPP Female Thread	1
11	GA5065735	Plug in hose tail AS40/AS40	1
12	GA5065620	Plug in hose tail AS40/33/90 degree	1
13	GA5065600	Plumbing adaptor, AS40 male x 1" male thread, Altek	1
14	GA5078018	Reducing bush, 1 1/2" male thread x 1" female thread, Banjo	1
15	GA5018315	Valve, Ball, 20mm, 3/4" male, female, Black Butterfly handle, Brass	1
16	GA5065690	Safety pin AS40	3
17	GA5017361	Valve non-return 1 1/4"	1
18	GA5078093	Reducing nipple, 1 1/2" male thread x 1 1/4" male thread, Banjo	1
19	GA5077730	Hose barb, Elbow, 90 degree, 1 1/4" male thread x 1 1/4" hose, Banjo	1