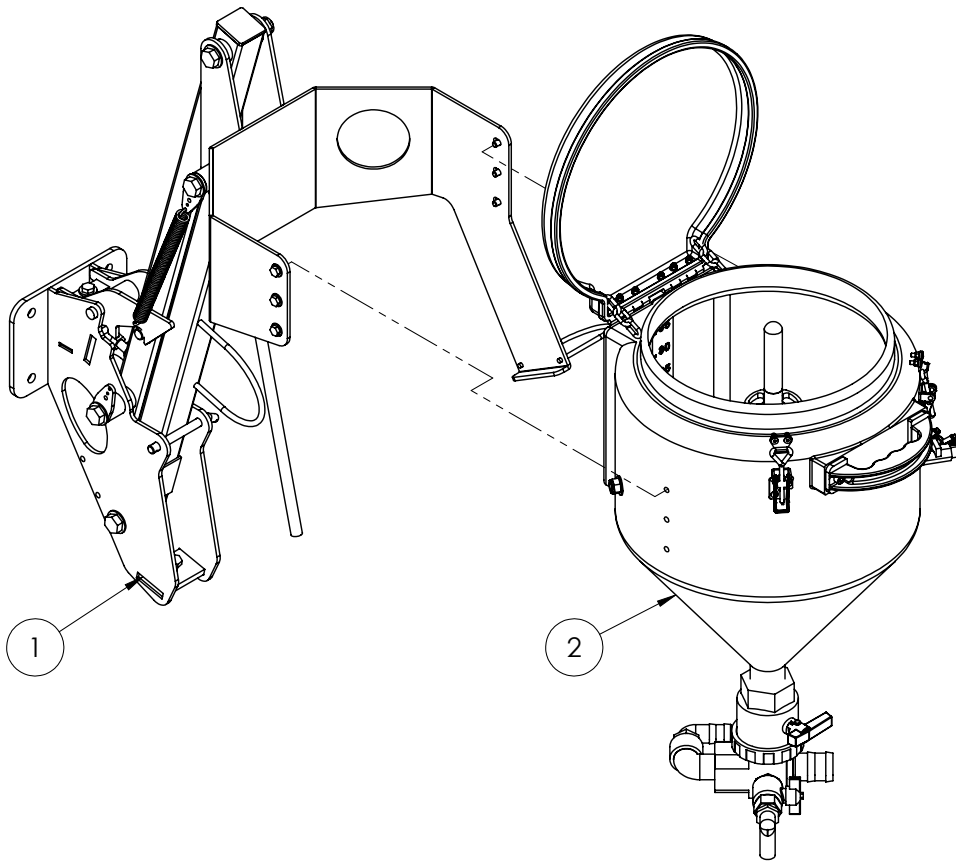


Chapter 8

INDUCTION HOPPER

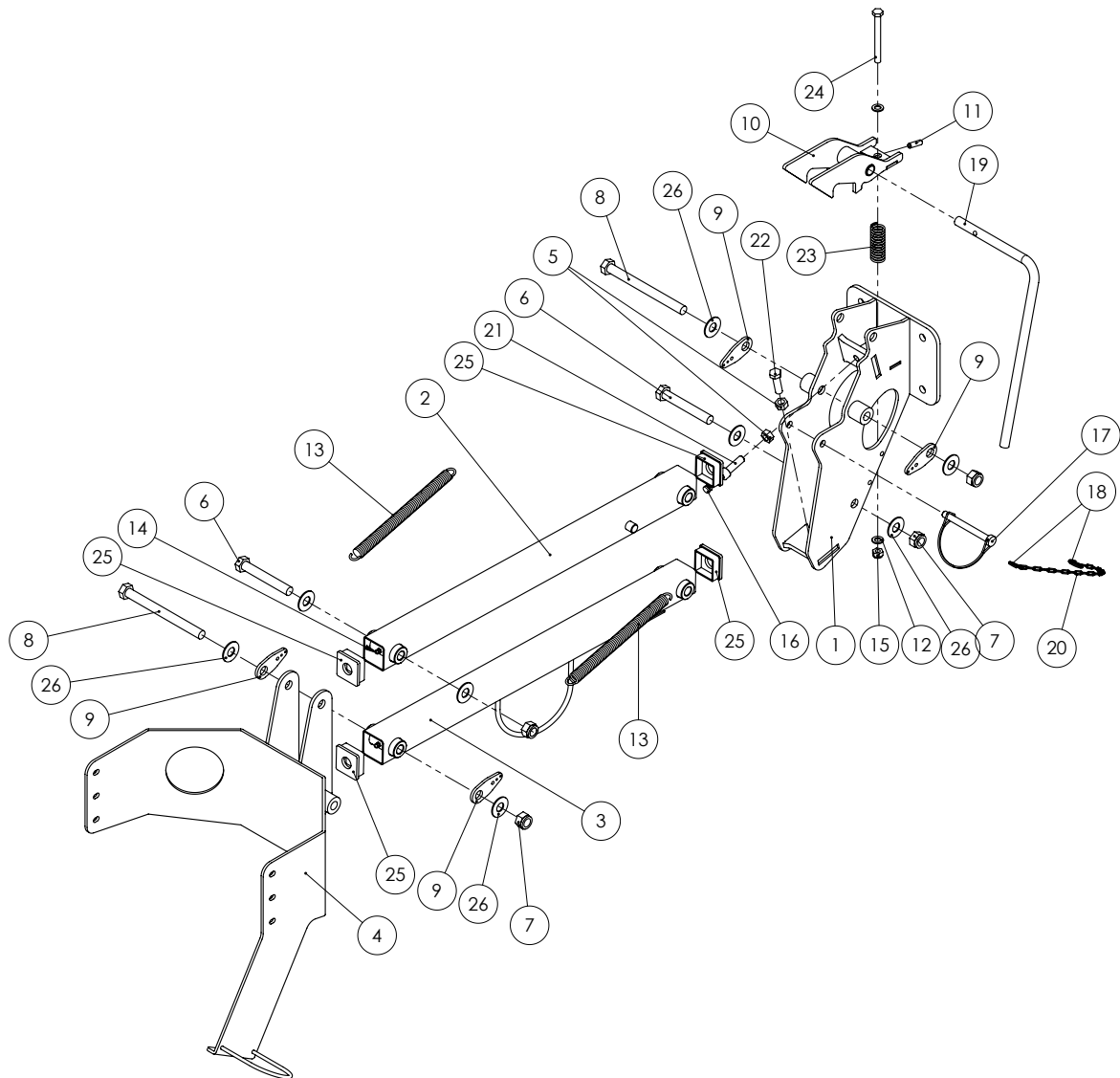
40L Induction Hopper



ITEM NO.	PART NUMBER	DESCRIPTION	QTY.
1	*	40L Induction Hopper frame	1
2	*	40L Induction Hopper tank	1

* Sub-assembly on following pages

40L Induction Hopper Frame



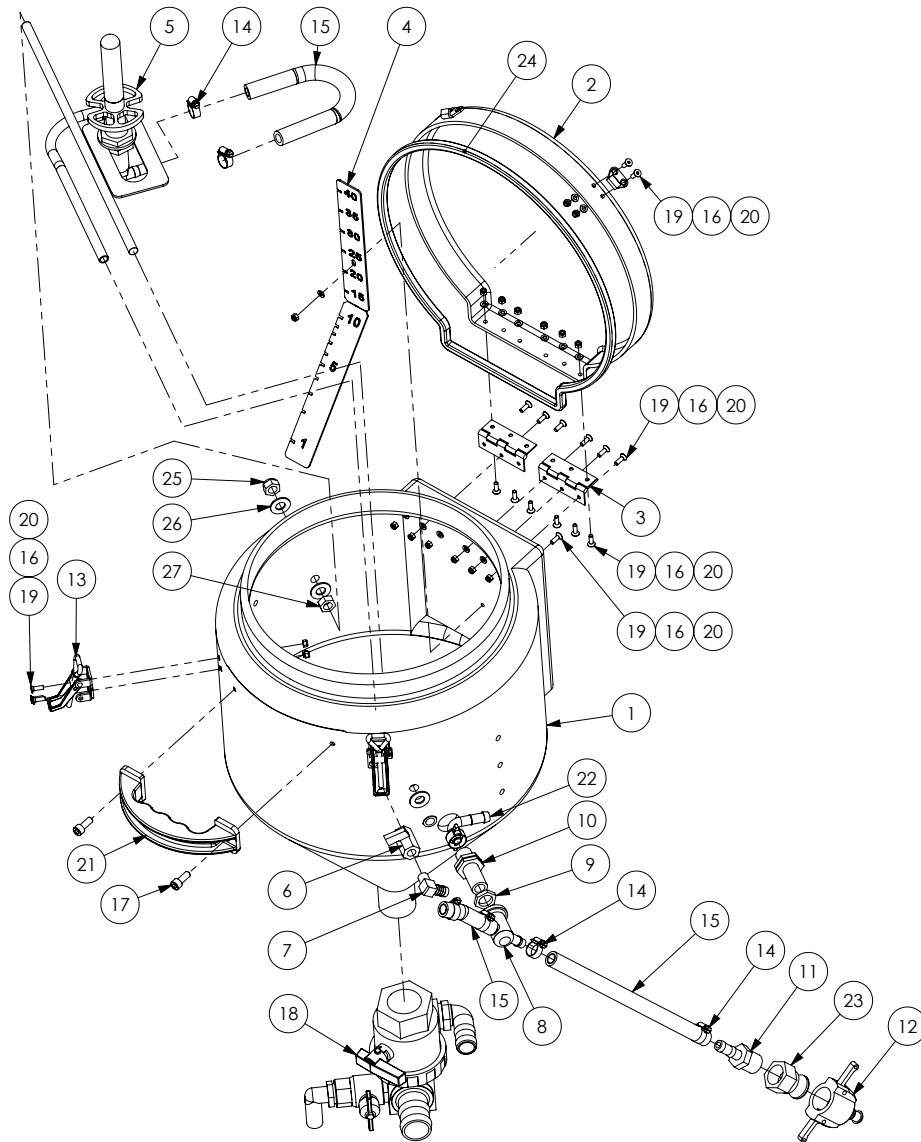
ITEM NO.	PART NUMBER	DESCRIPTION	QTY.
1	GA4653420	Induction Hopper Chassis Mount Advance	1
2	GA4653440	Induction Hopper Arm Upper Advance	1
3	GA4653445	Induction Hopper Arm Lower Advance	1
4	GA4653470	Induction Hopper tank support 40L suit EF range	1
5	GA5000559	Nut M12 Hex ZP	2
6	GA5000855	Bolt M16 x 110 ZP GR8.8	2
7	GA5001029	Nut M16 Nyloc ZP	4
8	GA5000879	Bolt M16 x 180 ZP GR8.8	2
9	F70121A	Hopper spring retainer 5mm SS	4
10	GA4653490	Induction Hopper Latch, Advance	1
11	GA5075130	Roll pin M8 x 30mm coated	1
12	GA5000117	Washer 10mm Flat SS HD	2

Continued over page

40L Induction Hopper Frame

ITEM NO.	PART NUMBER	DESCRIPTION	QTY.
13	GA5007073	Spring, Tension, 38.2 OD x 284.3 long x 3.55mm	2
14	GA5012203	Grease nipple, Short, 1/4" UNF	4
15	GA5000141	Nut M10 Nyloc ZP	1
16	GA5052905	Insert, suit 12mm Hole, Black, plastic	1
17	GA5048380	Pin, 11mm OD shaft, Spring Steel wire loop lock, Yellow zinc	1
18	GA5002077	Key ring, 25mm, SS	2
19	GA4699435	Handle, Induction Hopper Latch Arm	1
20	GA5001491	Chain 2mm x 20 SS, Cut 250 long	1
21	GA5000321	SHCS M12 x 40 ZP GR12.9	1
22	GA5000319	Set Screw M12 x 40 ZP GR8.8	1
23	GA5007329	Spring compression, 76.2mm x 25.4 x 3.15mm, gold	1
24	GA5006091	Bolt M10 x 100 ZP GR8.8	1
25	GA5003783	End cap, Insert, Black, Plastic, 50 x 50 mm	4
26	GA5001043	Washer 16mm Flat SS HD	8

40L Induction Hopper Tank



ITEM NO.	PART NUMBER	DESCRIPTION	QTY.
1	GA4901044	Tank, Induction hopper 40L, Round, Green, without lid	1
2	GA5003333	Lid, suit GA4901044 Induction hopper 40L, Round, Green	1
3	GA5006661	Hinge, Butt, 70 long x 50 wide x 1.5mm, SS	2
4	F70275A	Hopper level indicator 40L	1
5	*	40L Induction Hopper - Rinse Nozzle Assembly	1
6	GA5018321	Valve, Ball, 1/4" female thread inlet / outlet, Lever handle, SS	1
7	GA5020355	Hose barb, Brass, Elbow, 90 degree, 1/4" male thread x 1/2" hose, No shoulder	1
8	GA5070150	Tee 13mm x 1/2" female branch	1
9	GA5070110	Nut 1/2" Hex Lock Nut Brass BSPT	1
10	GA5078408	Long thread nipple 1/2"	1
11	GA5077713	Hose barb, Straight, 3/4" male thread x 1/2" hose, Banjo	1
12	GA5077060	Cam lever, 3/4" female coupling x 1/2" hose barb, Banjo	1

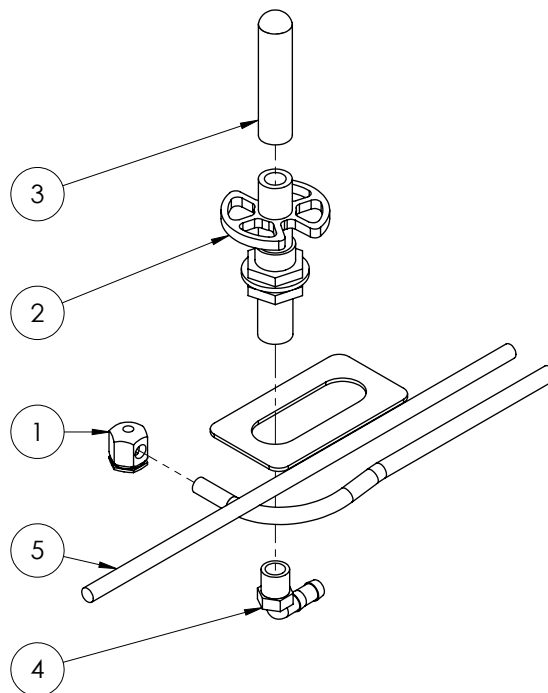
Continued over page

40L Induction Hopper Tank

ITEM NO.	PART NUMBER	DESCRIPTION	QTY.
13	GA5007071	Latch, Adjustable, Induction Hopper Lid	2
14	GA5000469	Hose clamp, 1/2", SS, 12-20/9W3	6
15	GA2000211	Hose, Pressure, 12mm, Black, 250psi	3
16	GA5003983	Washer 5mm Flat SS	23
17	GA5004707	SHCS M8 x 20 ZP GR12.9	2
18	*	40L Induction Hopper - Valve Bottom	1
19	GA5051230	CSCS M5 x 16 SS A2-70	23
20	GA5003975	Nut M5 Nyloc SS	23
21	GA5009841	Handle, Black, Heavy duty, Polyethylene	1
22	GA5075657	Hose barb, Elbow, 90 degree, 13mm hose, including 1/2" fly nut and seal, Brass, Arag	1
23	GA5077124	Cam lever, 3/4" male coupling x 3/4" female thread, Banjo	1
24	GA5012981	Pinch weld, Side bulb, Suit Induction hopper seal	1
25	GA5012461	Nut M12 Nyloc ZP	2
26	GA5000577	Washer 12mm Flat SS HD	4
27	GA5000559	Nut M12 Hex ZP	2

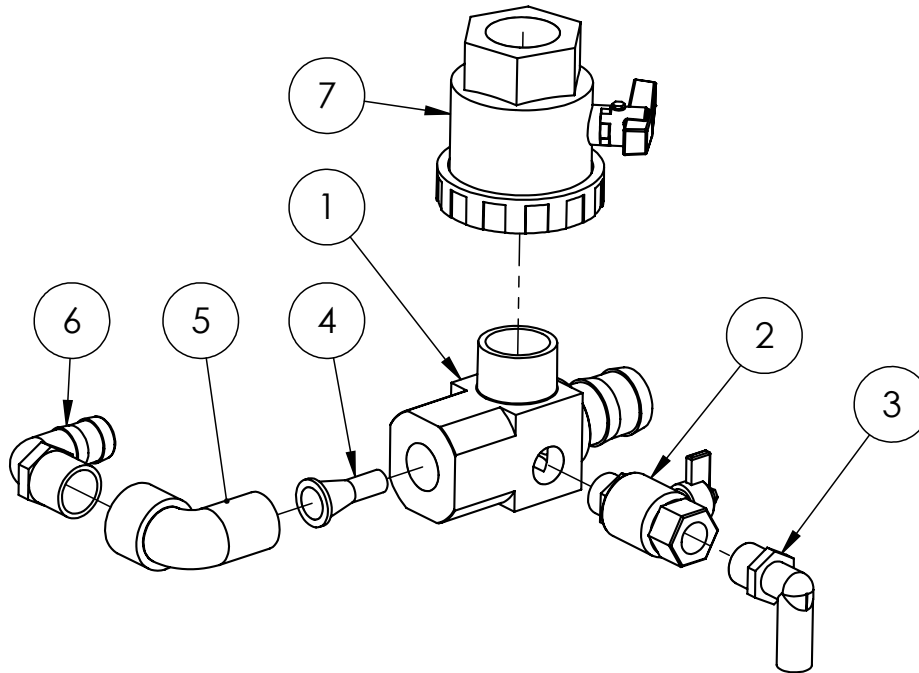
* Sub-assembly on following pages

40L Induction Hopper - Rinse Nozzle Assembly



ITEM NO.	PART NUMBER	DESCRIPTION	QTY.
1	L071A	Induction hopper rinse nozzle (two parts)	1
2	GA5077062	Valve, Drum & container rinsing nozzle, ARAG	1
3	GA5077063	Nozzle, Drum & container rinsing, ARAG	1
4	GA5077708	Hose barb, Elbow, 90 degree, 1/2" male thread x 1/2" hose	1
5	GA4653590	Induction Hopper Stainless Piping suit 40L	1

40L Induction Hopper - Valve Bottom



ITEM NO.	PART NUMBER	DESCRIPTION	QTY.
1	L056A	Induction hopper bottom, 1 1/2" hose barb x 1 1/2" BSPT male x 1" BSPT female x 3/4" BSPT female.	1
2	GA5018315	Valve, Ball, 20mm male & female thread, Black Butterfly handle	1
3	GA5077717	Hose barb, Elbow, 90 degree, 3/4" male thread x 3/4" hose, Banjo	1
4	GA4572150	Venturi, 7mm outlet, Suit induction hopper	1
	L057A	Venturi, 9mm outlet, Suit induction hopper	1
5	GA5078137	Street elbow, 90 degree, 1" male x 1" female	1
6	GA5077723	Hose barb, Elbow, 90 degree, 1" male x 1" hose	1
7	GA5078167	Valve, Ball, 1 1/2" female thread inlet / outlet, Full port, Lever handle	1

Note: Where a smaller 85L/min pump is fitted or pump flow rate is insufficient to drive the hopper, the smaller 7 mm venturi nozzle may be required. See item 4.