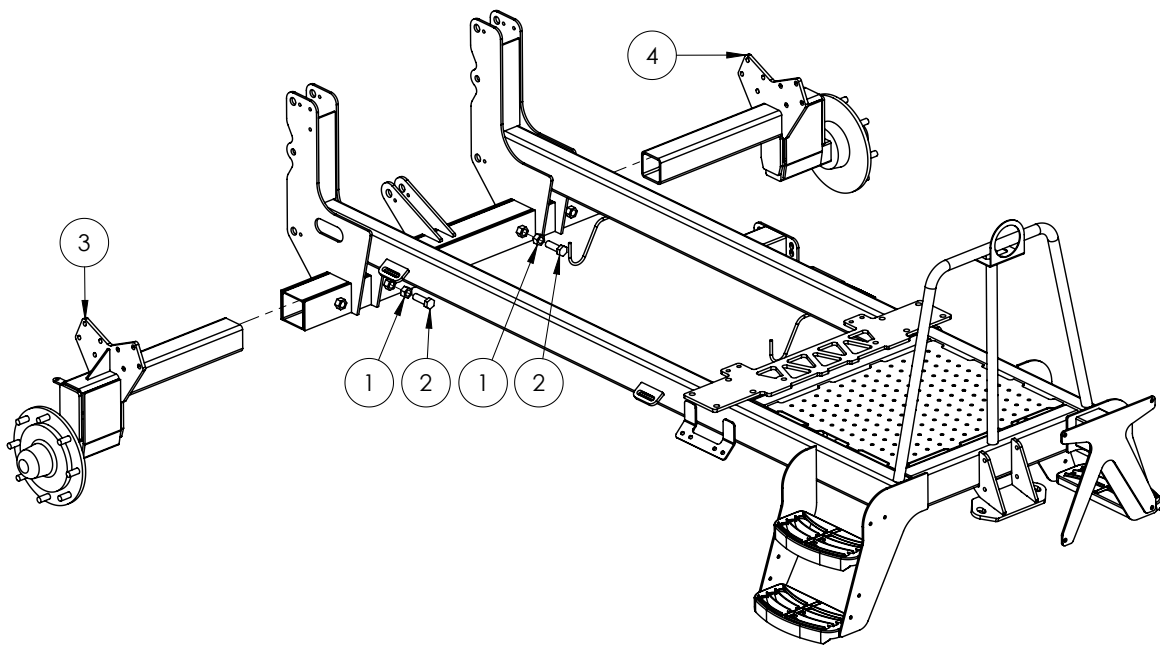


Chapter 12

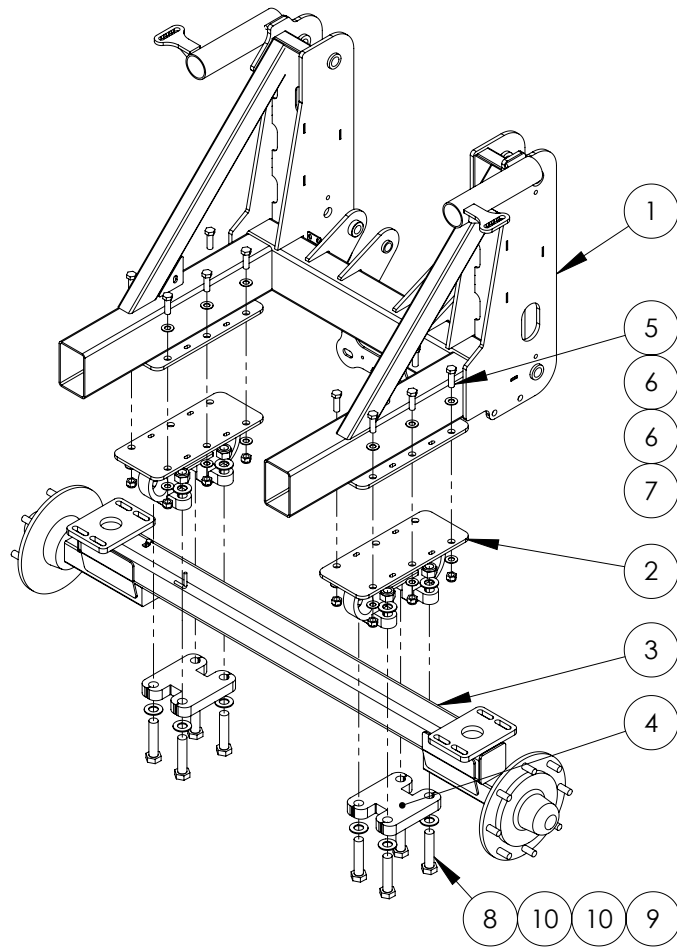
WHEELS, AXLES & MUDGUARDS

Axles - 1500-2500L



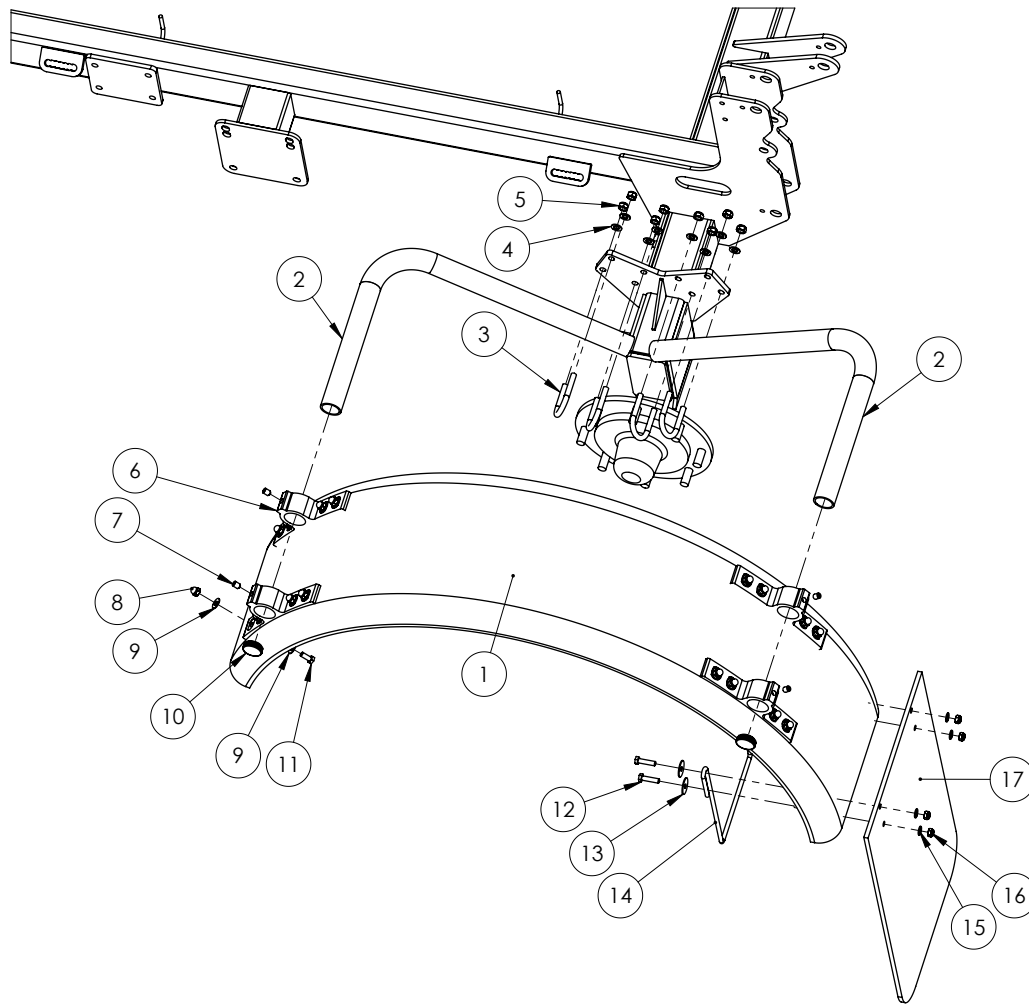
ITEM NO.	PART NUMBER	DESCRIPTION	QTY.
1	GA5001709	Nut M20 Coarse ZP	2
2	GA5011333	Bolt M20 x 60 GR8.8 ZP	2
3	GA4600260	Axle, Adjustable, RH, 2500L Compact Evo With 70 Series Hub	1
4	GA4600220	Axle, Adjustable, LH, 2500L Compact Evo With 70 Series Hub	1

Axles - 3000L



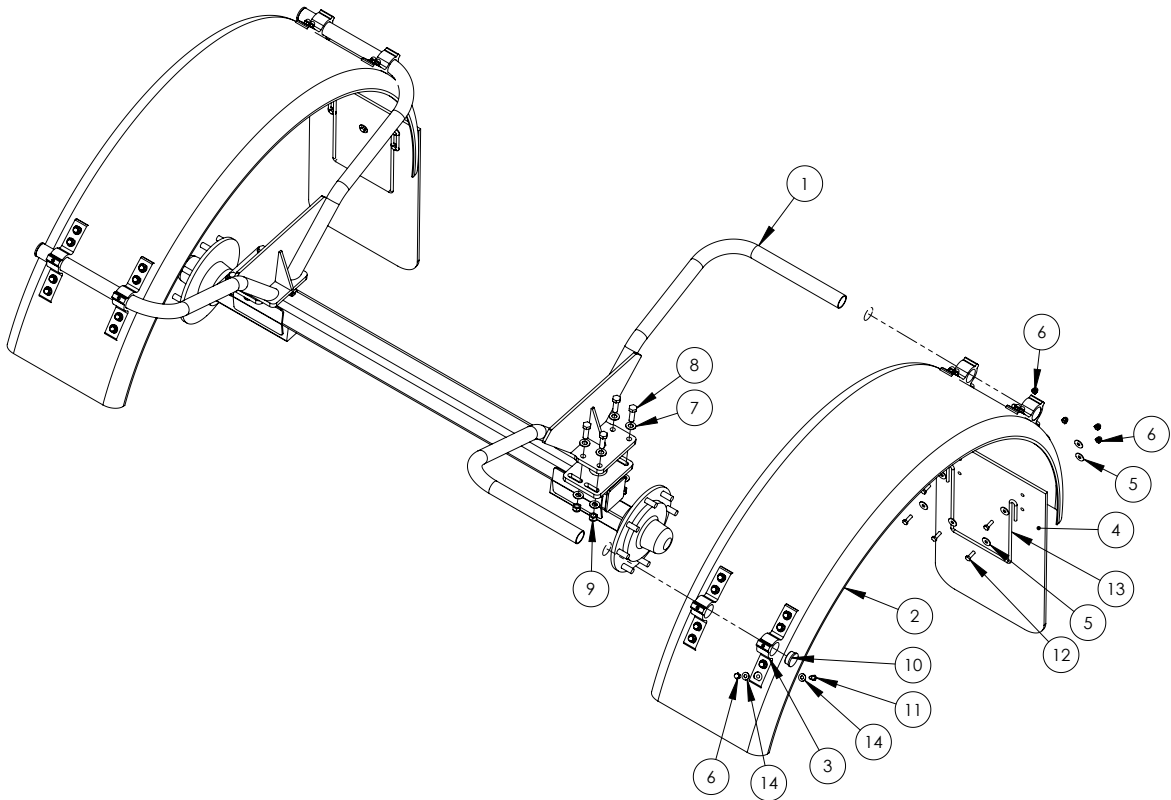
ITEM NO.	PART NUMBER	DESCRIPTION	QTY.
1	GA4659500	3000L EF Chassis to suit Paralift	1
2	GA4657845	Fixed Axle Carrier to suit 3000L	2
	GA4657820	1.6m Axle to suit 3000L	1
3	GA4657815	Axle, 1.8m, 8 stud, to suit 3000L (Standard Fitment)	1
	GA4657825	2.0m Axle to suit 3000L	1
4	GA4632050	Suspension narrow retainer (32mm FMS)	2
5	GA5000933	Set Screw M16 x 50 ZP GR8.8	12
6	GA5001043	Washer 16mm Flat SS HD	24
7	GA5001029	Nut M16 Nyloc ZP	12
8	GA5006149	Bolt 1" UNC x 4 1/2" ZP GR8	8
9	GA5012439	Nut, Nyloc, 1" UNC, ZP	8
10	GA5017659	Washer, 1", Flat, ZP, Heavy duty (5mm thick)	16

Mudguard Assembly - I 500-2500L



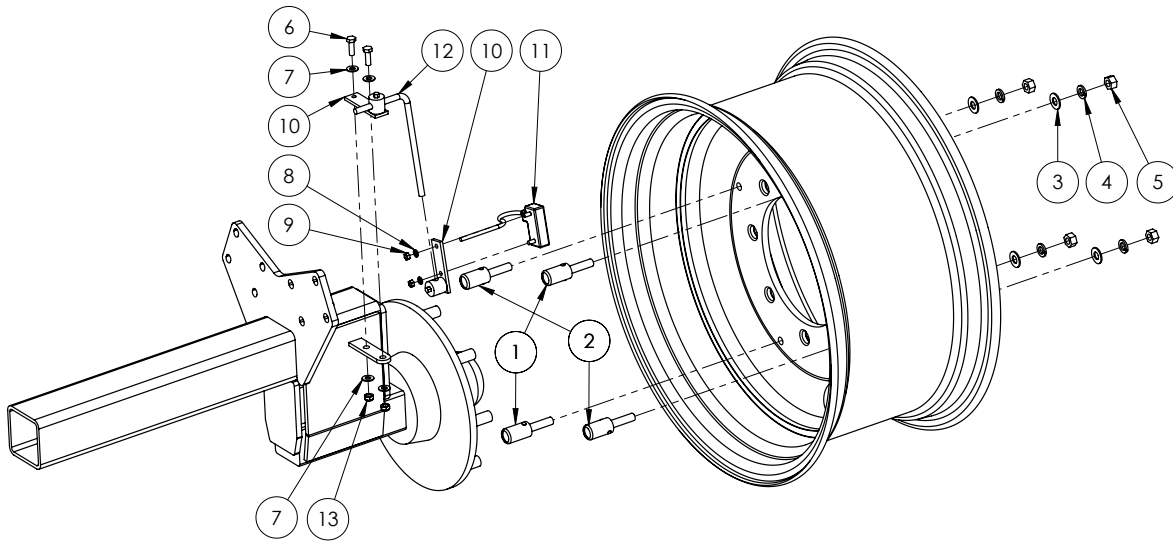
ITEM NO.	PART NUMBER	DESCRIPTION	QTY.
1	GA5003321	Mudguard 400W x R730	2
2	GA5024005	Mud Guard Pipe	4
3	GA5071209	U Bolt, round top, M12 x 91L x 50W	8
4	GA5000577	Washer 12mm Flat SS HD	8
5	GA5012461	Nut M12 Nyloc ZP	8
6	GA5020450	Bracket, Plastic, Black, Mudguard mounting	8
7	GA5050675	Grub Screw M12 x 16 SS	8
8	GA5011133	Nut M10 Dome nut SS	32
9	GA5002565	Washer 3/8" ID x 1" OD Flat SS	64
10	GA5003925	Insert round 45mm x 0.8 - 3.0mm	4
11	GA5066162	Bolt M10 x 25 SS	32
12	GA5006071	Bolt M10 x 40 GR10.9 ZP	8
13	GA5002595	Washer, 3/8" x 1 1/2" OD, Flat SS	8
14	GA5075070	Bracket, Mud guard anti sail, Black	2
15	GA5000117	Washer 10mm Flat SS HD	8
16	GA5000141	Nut M10 Nyloc ZP	4
17	GA5018325	Mudflap, Goldacres, 450 x 450 mm	2

Mudguard Assembly - 3000L



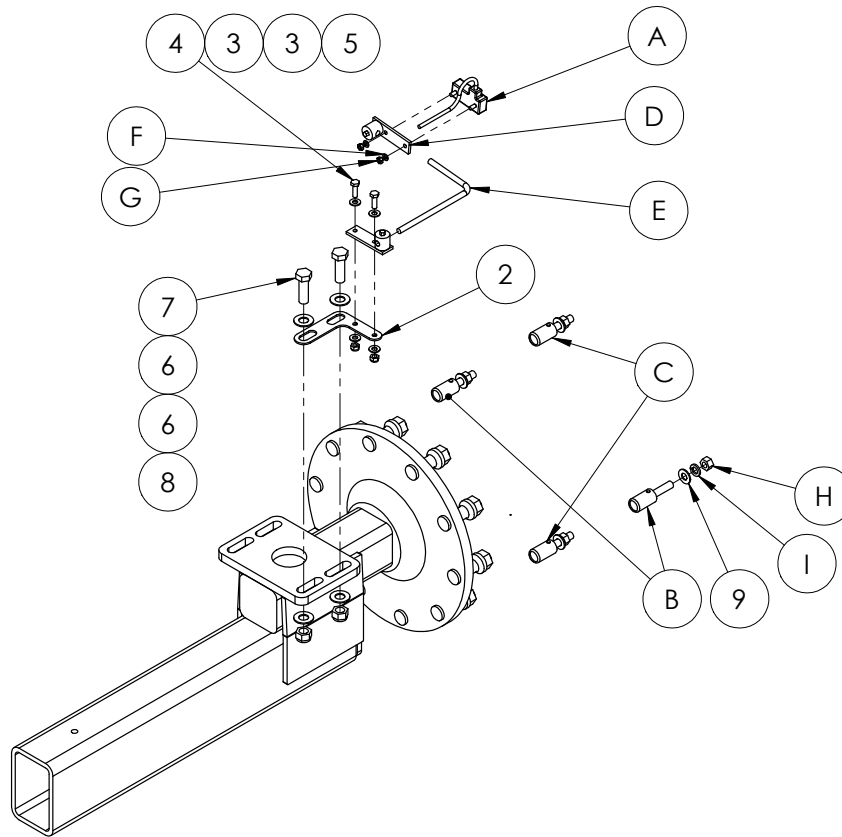
ITEM NO.	PART NUMBER	DESCRIPTION	QTY.
-	GA4903855-SK	Mudguard Sales Kit, Prairie Special 3000 EF (16.9 x 34)	-
1	GA4657865	Mudguard Bracket to suit 3000L EF	2
2	GA5003453	Mudguard 470W x R900mm	2
3	GA5020450	Bracket, Plastic, Black, Mudguard mounting, BK-P300BK1	8
4	GA5011949	Mudflap Goldacres green /gold 450 old style	2
5	GA5002593	Washer 3/8" x 1 1/2" x 14g	20
6	GA5011133	Nut M10 Dome nut SS	42
7	GA5001043	Washer 16mm Flat SS HD	16
8	GA5000931	Bolt M16 x 50 ZP GR8.8	8
9	GA5001029	Nut M16 Nyloc ZP	8
10	GA5003925	End cap, 45 mm round, Black plastic	4
11	GA5066162	Bolt M10 x 25 SS	32
12	GA5006145	Bolt M10 x 30 SS	10
13	GA5075070	Bracket, Mud guard anti sail, Black	2
14	GA5002565	Washer 3/8" ID x 1" OD Flat SS	64

Wheel Speed Sensor - 1500-2500L



ITEM NO.	PART NUMBER	DESCRIPTION	QTY.
1	630159402	Wheel Speed Sensor Magnet North pole red	2
2	630159403	Wheel Speed Sensor Magnet South pole black	2
3	GA5017655	Washer 1/2" Flat SS	4
4	3131000028	M12 Spring washer SS	4
5	3121001043	Nut 1/2" - 13 Hex ZP	4
6	GA5004711	Bolt M8 x 25 ZP GR8.8	2
7	GA5004917	Nut M8 Nyloc ZP	2
8	3131000016	Washer 1/4" lock split zinc	2
9	3121001031	Nut 1/4" - 20 hex ZP	2
10	GA5076045	Rod, Speed Sensor; Raven	1
11	GA5075857	Sensor; Wheel Drive Speed with 7 1/2' Cable	1
12	GA5076045	Rod, Speed Sensor; Raven	1
13	GA5004917	Nut M8 Nyloc ZP	2

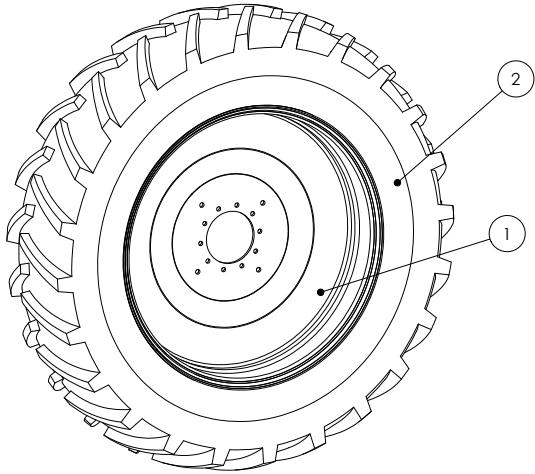
Wheel Speed Sensor - 3000L



GA5075858 Wheel speed sensor kit

ITEM NO.	PART NUMBER	DESCRIPTION	QTY.
A	GA5075857	Sensor;Wheel Drive Speed with 7 1/2' Cable, Raven	1
B	GA5075817	Magnet, Red North Pole Speed Sensor Assembly, Raven	2
C	GA5075818	Magnet, Black South Pole Speed Sensor Assembly, Raven	2
D	GA5075822	Sensor;Turret Assembly Speed Sensor; Raven	2
E	GA5076045	Rod, Speed Sensor; Raven	1
F	3131000016	Washer 1/4" lock split zinc	2
G	3121001031	Nut 1/4" - 20 hex ZP	2
H	3121001043	Nut 1/2" - 13 hex ZP	4
I	3131000028	1/2" lock washer	4
1	GA5075858	Sensor, Speed 4 Pole Wheel Drive with 7 1/2' Cable Kit, Raven	1
2	GA4534520	Speed Sensor Tab Bolt On	1
3	GA5003643	Washer 8mm Flat SS HD	4
4	GA5004711	Bolt M8 x 25 ZP GR8.8	2
5	GA5004917	Nut M8 Nyloc ZP	2
6	GA5001043	Washer 16mm Flat SS HD	4
7	GA5000931	Bolt M16 x 50 ZP GR8.8	2
8	GA5001029	Nut M16 Nyloc ZP	2
9	GA5017655	Washer 1/2" Flat SS	4

Wheels

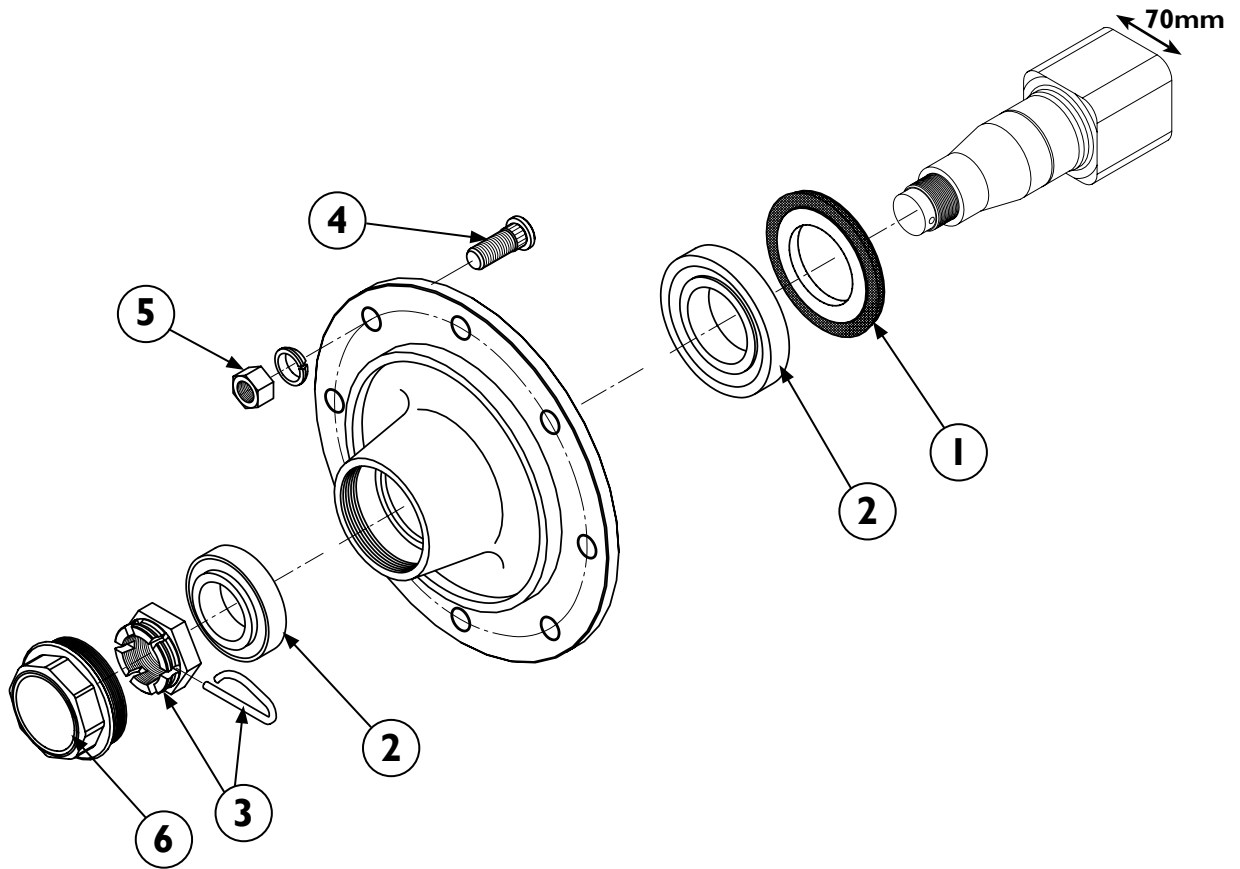


Note: When ordering complete wheel and tyre unit, please note which side is required. Rims are supplied painted and with speed sensor holes.

ITEM NO.	PART NUMBER	DESCRIPTION
1	GA4901403	Wheels 14.9 X 24 8 ply
	GA5020685	Wheel DW15 x 34", 8 studs on 275 Zero Offset
2	GA5009877	Tyre, 14.9 X 24 8ply R1
	GA5016337	Tyre 16.9 x 34 10PR tyre & tube
-	GA5018892	Wheel nut, M22 x 1.5mm, ZP
-	GA5018900	Tapered spring Washers suit M22 wheel stud (329F003)

Hub - 70 Series

TO DETERMINE SIZE/SERIES,
MEASURE CROSS SECTION.



ITEM NO.	PART NUMBER	DESCRIPTION	QTY.
-	GA5018115	Stub axle, 70 series, ADR	-
1	GA5066406	Seal, Heavy duty, Suit 70 series axle, ADR	1
2	GA5052105	70 Series ADR Bearing Kit	1
3	GA5052115	70 Series ADR Crown Nut Kit	1
4	GA5018894	Wheel stud, Suit 60, 70 & 80 series axles	1
5	GA5018891	Wheel nut, Suit 60, 70 & 80 series axles	1
6	GA5052110	70 Series ADR Cap kit	1