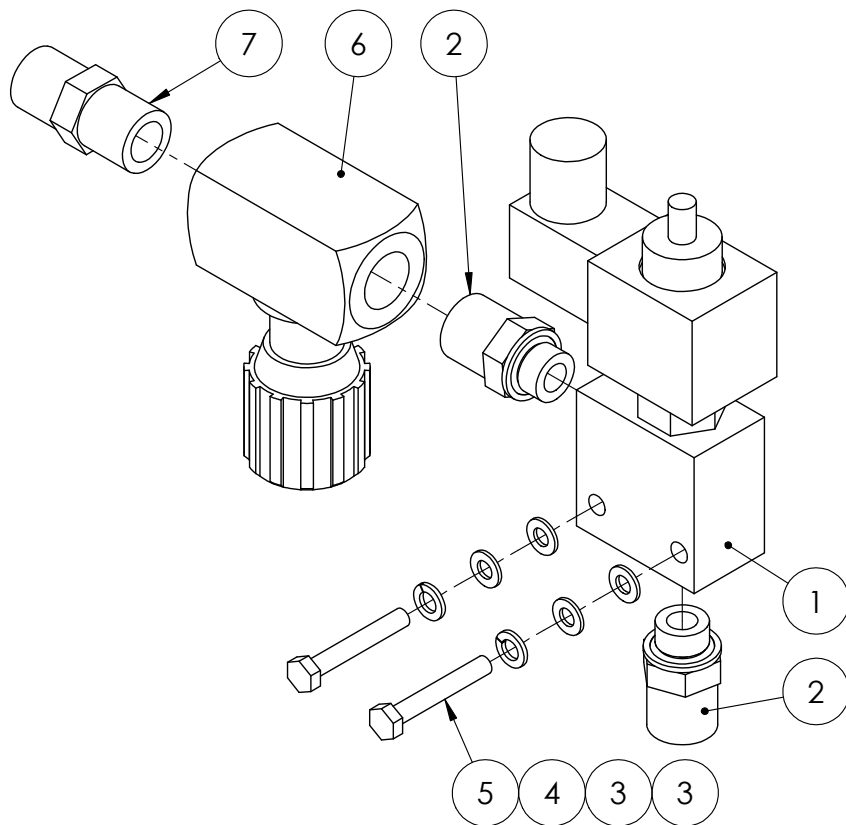


Chapter 18

HYDRAULICS

Boom Lower Solenoid

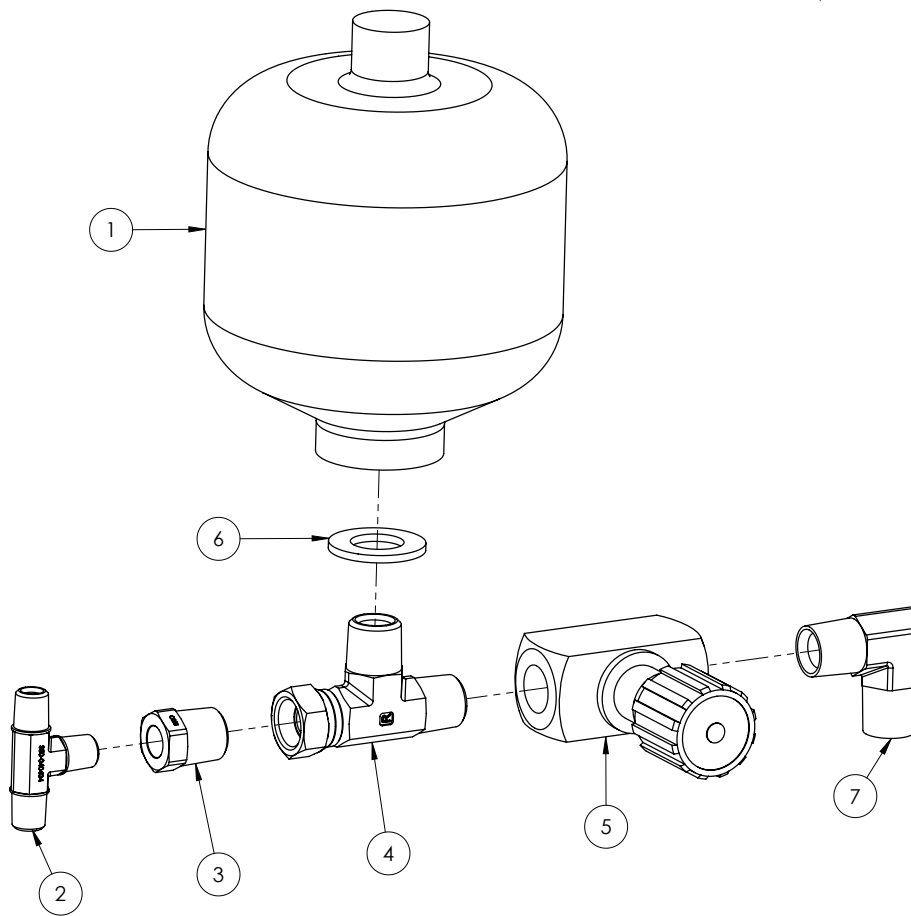


ITEM NO.	PART NUMBER	DESCRIPTION	QTY.
1	GA5047344	Hydraulic Solenoid Boom Lower Limit Cartridge and Body	1
2	GA3500309	Hydraulic adaptor, Nipple, 1/2" BSPT male x 3/8" BSPP male	2
3	GA5004437	Washer 6mm Flat SS	4
4	GA5004447	Washer, 6mm, Spring, SS	2
5	GA5004081	Bolt M6 x 40 ZP GR8.8	2
6	GA5017393	Valve speed control 1/2" offset	1
7	GA3500223	Hydraulic adaptor, Nipple, 1/2" BSPT male x 1/2" BSPT male	1

SPARE PARTS

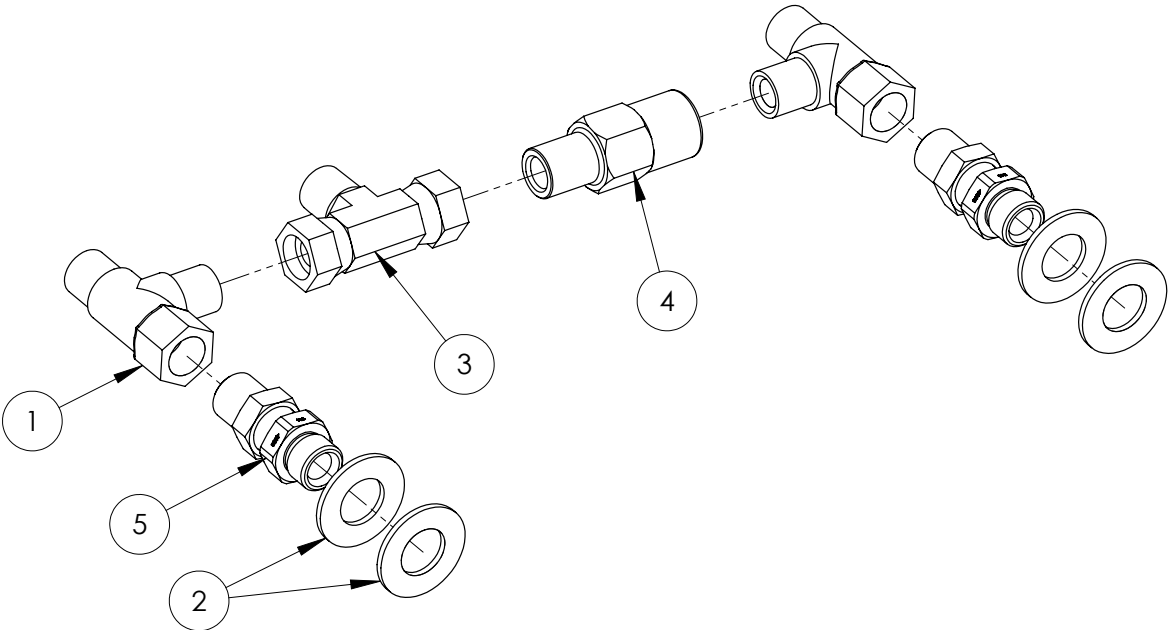
PART NUMBER	DESCRIPTION
GA5047650	Coil DIN class H 12V DC IP65/S8 (suit unloader after 3-3-2008 and boom lower spool), Bosch
GA5010039	Din Hirschmann Connector Std Black suit C Top 3
GA5048580	Din Hirschmann Connector K4L12 LED.

Hydraulic Accumulator Assembly - I 500-2500L



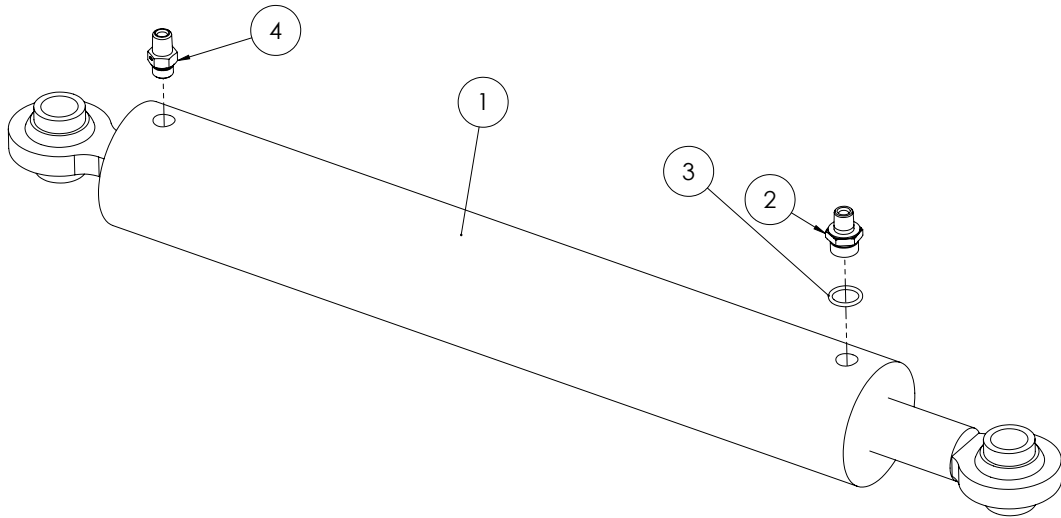
ITEM NO.	PART NUMBER	DESCRIPTION	QTY.
1	GA5007787	Accumulator; Hydraulic, 1L, precharged to 70 bar	1
2	GA3500269	Hydraulic adaptor; Tee, 1/4" BSPT male x 1/4" BSPT male x 1/4" BSPT male	1
3	GA3500203	Hydraulic adaptor; Reducing bush, 1/2" BSPT male x 1/4" BSPT female	1
4	GA3500200	Hydraulic adaptor; Tee, 1/2" BSPT male x 1/2" BSPT male x 1/2" BSPP female swivel	1
5	GA5017393	Flow control valve, with reverse flow check, needle throttle 1/2", type DRV	1
6	GA5001741	Washer 20mm Flat SS HD	1
7	GA3500262	Hydraulic adaptor; Elbow, 90 degree, 1/2" BSPT male x 1/2" BSPT male	1

Hydraulic Accumulator Manifold - 3000L



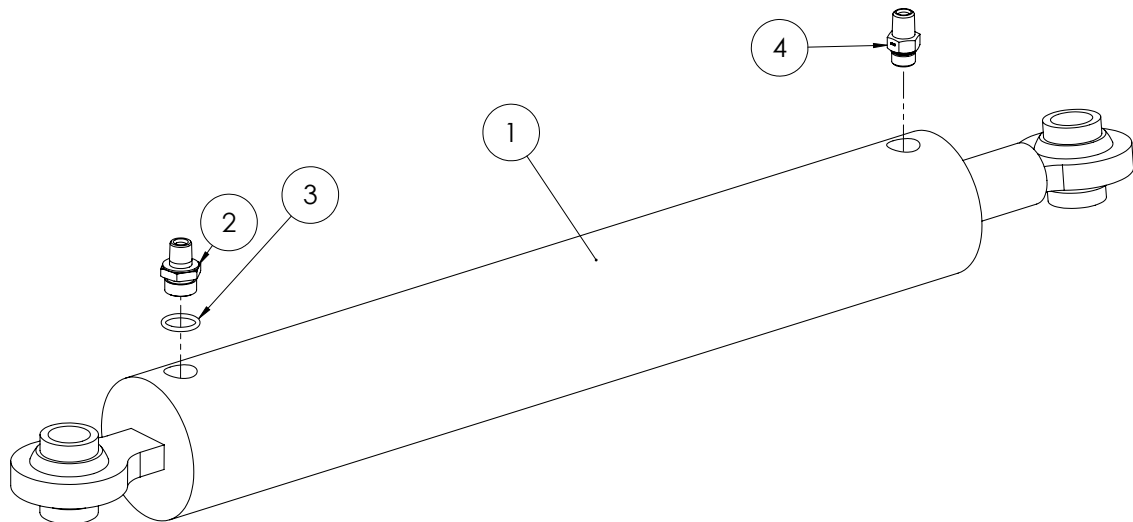
ITEM NO.	PART NUMBER	DESCRIPTION	QTY.
1	GA3500200	Hydraulic adaptor; Tee, 1/2" BSPT male x 1/2" BSPT male x 1/2" BSPP female swivel	2
2	GA5001045	Washer, 3/4", Flat ZP	4
3	GA3500336	Hydraulic adaptor; Tee, 1/2" BSPP female swivel x 1/2" BSPT male x 1/2" BSPP female swivel	1
4	GA4572110	Hydraulic adaptor; 1/2" BSPT male x 1/2" BSPT female	1
5	GAS99-603	Hydraulic adaptor; Bulkhead nipple, 1/2" BSP male x 1/2" BSP male	2

Hydraulic Cylinder - Fold RH



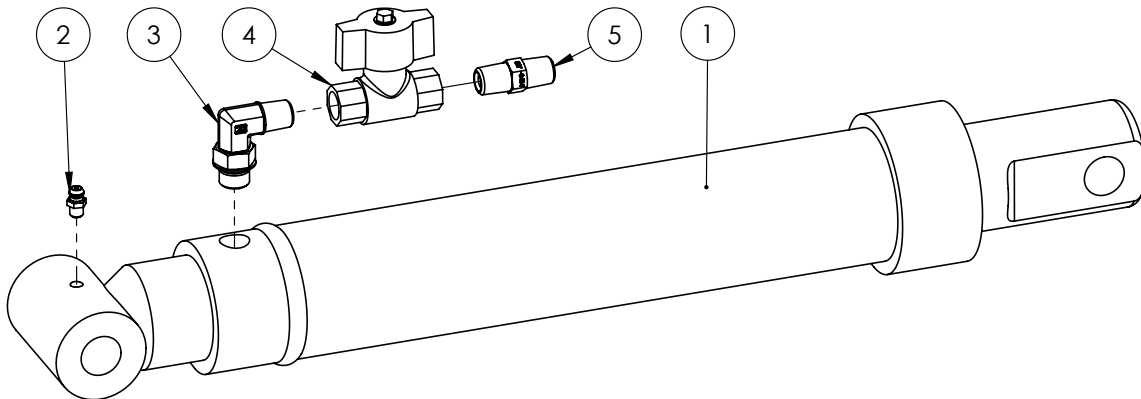
ITEM NO.	PART NUMBER	DESCRIPTION	QTY.
1	GA5018555	Hydraulic cylinder SLPSP (TLD) 2 1/2" bore x 1 1/8" rod x 18" Stroke	1
2	L068A	Reducing restrictor nipple, 3/4" UNO x 1/4" BSPT, 1.5mm orifice	1
3	GA5078121	O-Ring BSPP 1/2"	1
4	GA3500359	Hydraulic adaptor; Nipple, 1/4" BSPT male x 3/4" UN male O-ring	1
-	GA5020730	Seal Kit SKSLP 2 1/2" bore x 1 1/8" rod, suit GA5018555	-

Hydraulic Cylinder - Fold LH



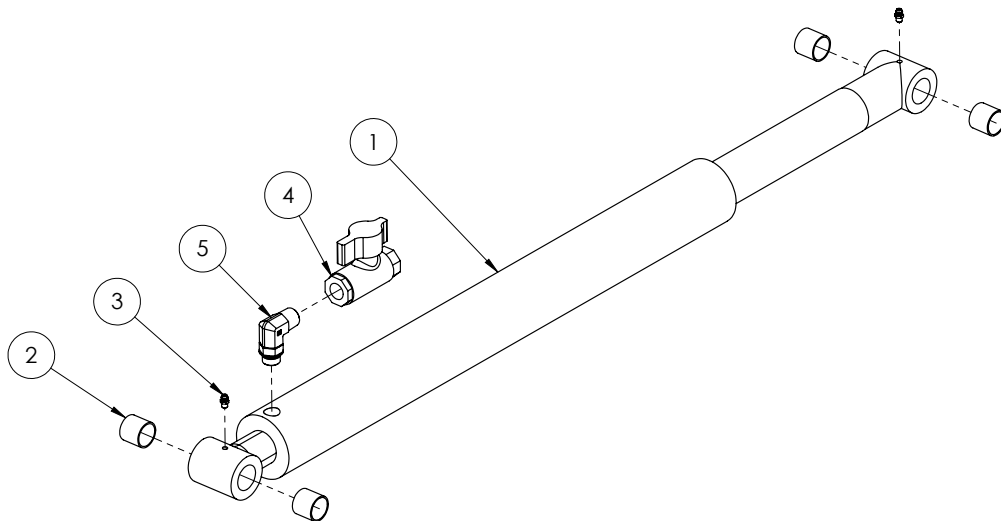
ITEM NO.	PART NUMBER	DESCRIPTION	QTY.
1	GA5018557	Hydraulic Cylinder SLPSP 2 3/4" bore x 1 1/8" rod x 18" stroke	1
2	L068A	Reducing restrictor nipple, 3/4" UNO x 1/4" BSPT, 1.5mm orifice	1
3	GA5078121	O-Ring BSPP 1/2"	1
4	GA3500359	Hydraulic adaptor; Nipple, 1/4" BSPT male x 3/4" UN male O-ring	1
-	GA5051630	Seal kit SLMSP 2 3/4" bore x 1 1/8" rod, suit GA5018557	-

Hydraulic Cylinder - Boom Lift I 500-2500L



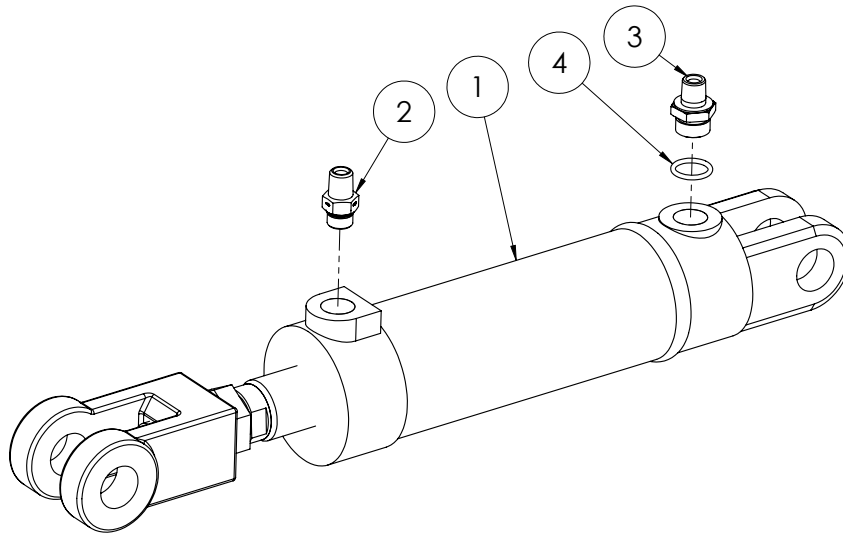
ITEM NO.	PART NUMBER	DESCRIPTION	QTY.
1	GA5066800	Ram hydraulic displacement 2.5" x 2" x 220mm	1
2	GA5012203	Grease nipple, Short, 1/4" UNF	1
3	GA3500347	Hydraulic adaptor, Elbow, 90 degree, 1/4" BSPT male x 9/16" UN male O-ring	1
4	GA5078083	Valve, Ball, Hydraulic, 1/4" BSPP female ports	1
5	GA3500218	Hydraulic adaptor, Nipple, 1/4" BSPT male x 1/4" BSPT male	1

Hydraulic Cylinder - Boom Lift 3000L



ITEM NO.	PART NUMBER	DESCRIPTION	QTY.
1	GA5070075	Hydraulic cylinder, 2.5" bore, 2" rod, 20" stroke displacement pin eye	1
2	GA5065487	Glacier Bush 1" ID x 1" long	4
3	GA5012203	Grease nipple, Short, 1/4" UNF	2
4	GA5000835	Valve, Ball, Hydraulic, 1/2" female thread inlet / outlet	1
5	GA3500349	Hydraulic adaptor, Elbow, 90 degree, 1/2" BSPT male x 3/4" UN male O-ring	1
-	GA5052740	Seal kit, 2 1/2" bore x 2" rod, suit GA5070075	-

Hydraulic Cylinder - Wing Tilt



ITEM NO.	PART NUMBER	DESCRIPTION	QTY.
1	GA5065054	Cylinder tilt 2.5" x 5" stroke 3/8" rod suit 2012 Delta	1
2	GA3500359	Hydraulic adaptor; Nipple, 1/4" BSPT male x 3/4" UN male O-ring	1
3	L068A	Reducing restrictor nipple, 3/4" UNO x 1/4" BSPT, 1.5mm orifice	1
4	GA5078121	O-Ring BSPP 1/2"	1

Load Sense Turbo Valve



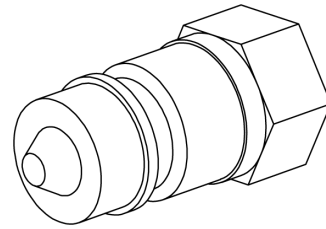
GA4902590 Complete Assembly

ITEM NO.	PART NUMBER	DESCRIPTION	QTY.
	GA5047677	Load sense turbo valve	1
	GA5078000	Quick connect fitting, 1/2" male tip x 1/2" female thread	2
	GA5078001	Quick release coupling, Ball check valve, Push/pull, Female body, 1/2" BSPP female	2
	GA3500308	Hydraulic adaptor; Nipple, 1/4" BSPT male x 1/2" BSPP male	2
	GA3500270	Hydraulic adaptor; Tee, 1/2" BSPT male x 1/2" BSPT male x 1/2" BSPT male	1
	GA3500399	Hydraulic crimp coupling, Straight, 1/2" hose x 1/2" BSPP female swivel	2
	GA3500397	Hydraulic crimp coupling, Straight, 1/4" hose x 1/4" BSPP female swivel	2
	GA3500310	Hydraulic adaptor; Nipple, 1/2" BSPT male x 1/2" BSPP male	1
	GA3500320	Hydraulic adaptor; Elbow, 90 degree, 1/4" BSPT male x 1/4" BSPP male O-ring	1
	GA3500203	Hydraulic adaptor; Reducing bush, 1/2" BSPT male x 1/4" BSPT female	1
	GA3500182	Hose, Hydraulic, 1/2"	1
	GA5049695	Hose, Hydraulic, 1/4", 2 wire, Black	1

Quick Release Couplings

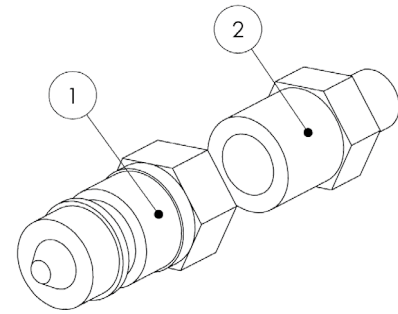
1/2" HYDRAULIC LINES

ITEM	PART NUMBER	DESCRIPTION
1	GA5078000	Quick connect fitting, 1/2" male tip x 1/2" female thread



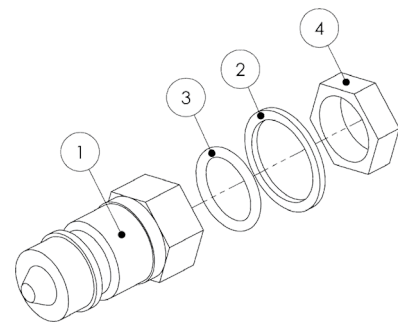
1/4" HYDRAULIC LINES

ITEM	PART NUMBER	DESCRIPTION
1	GA5078000	Quick connect fitting, 1/2" male tip x 1/2" female thread
2	GA3500221	Hydraulic adaptor, Nipple, 1/2" BSP x 1/4" BSP



HYDRAULIC PUMP LINES

ITEM	PART NUMBER	DESCRIPTION
1	GA5078000	Quick connect fitting, 1/2" male tip x 1/2" female thread
2	GA5076891	Ring Retaining BSPP 1/2"
3	GA5078121	1/2" Hydraulic O-Ring
4	35B-08	1/2" BSPP Lock Nut

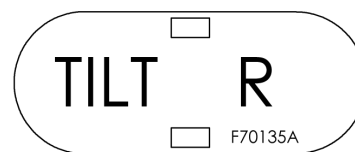
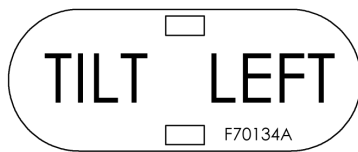
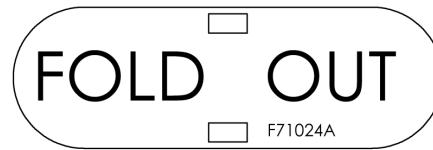
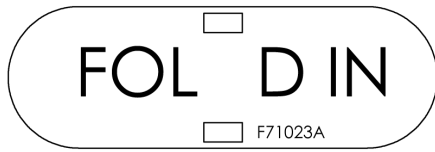


Note: Plastic Cover for when fittings are not in use: GA5052365.

Hydraulic Hoses

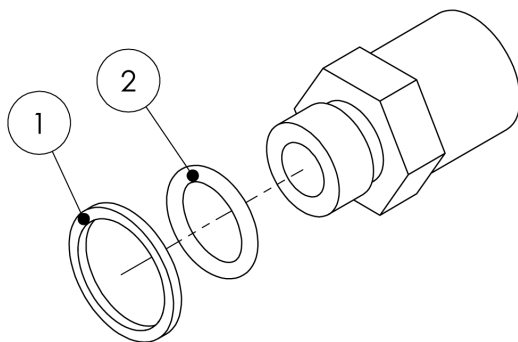
PART NUMBER	DESCRIPTION
GA5067925	1/4" Hydraulic Hose, Tractor to fold cylinders
GA5067930	1/2" Hydraulic Hose, Tractor to Boom Lower Solenoid
GA5067940	1/2" Hydraulic Hose, Accumulator manifold to lift cylinders
GA5067945	1/4" Hydraulic Hose, Tractor to tilt cylinders

Hose ID Tags



PART NUMBER	DESCRIPTION
F71023A	ID Tag for Fold In
F71024A	ID Tag for Fold Out
F71025A	ID Tag for Boom Raise/Lower
F70134A	ID Tag for Left Hand Tilt
F70135A	ID Tag for Right Hand Tilt
F71018A	ID Tag for BiFold In
F71019A	ID Tag for BiFold Out
F71020A	ID Tag for Pressure
F71021A	ID Tag for Tank
F71022A	ID Tag for Load Sense
F71026A	ID Tag for Brakes

Hydraulic O-rings and Retaining Washers



ITEM NO.	PART NO	DESCRIPTION
1	GA5076889	Ring Retaining 1/4" BSPP
	GA5076890	Ring Retaining BSPP 3/8"
	GA5076891	Ring Retaining BSPP 1/2"
	GA5076892	Retaining Ring BSPP 3/4"
2	GA5078119	O-Ring BSPP 1/4"
	GA5078120	O-Ring 3/8" BSPP
	GA5078121	O-Ring BSPP 1/2"
	GA5078122	O-Ring BSPP 3/4"

Raw Hide & Spiral Guard

RAWHIDE

PART NUMBER	DESCRIPTION
GA5053630	Rawhide hose protection 23mm
GA5053710	Rawhide Hose protector 31mm
GA5053640	Rawhide hose protection 36mm
GA5053705	Rawhide Hose protector 73mm
GA5053715	Rawhide Hose protector 56mm
GA5066710	Rawhide hose protection 93mm
GA5054375	Rawhide, Nylon sleeve, 102mm, Hook & loop closure

SPIRAL GUARD

PART NUMBER	DESCRIPTION
GA5015669	Spiral guard, Black