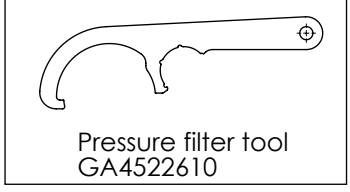
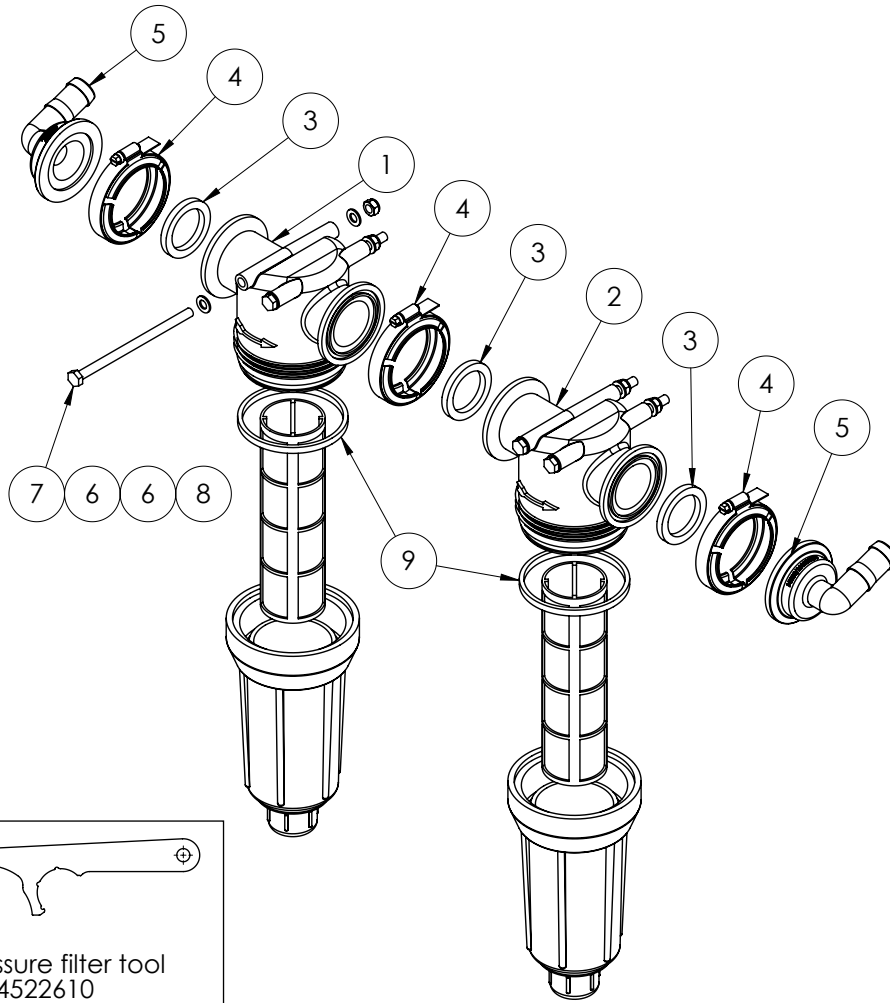


# Chapter 19

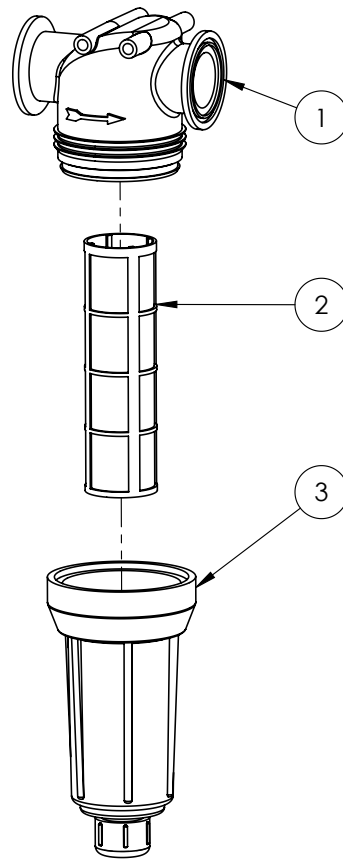
## PLUMBING

### Filter - Dual Pressure Assembly



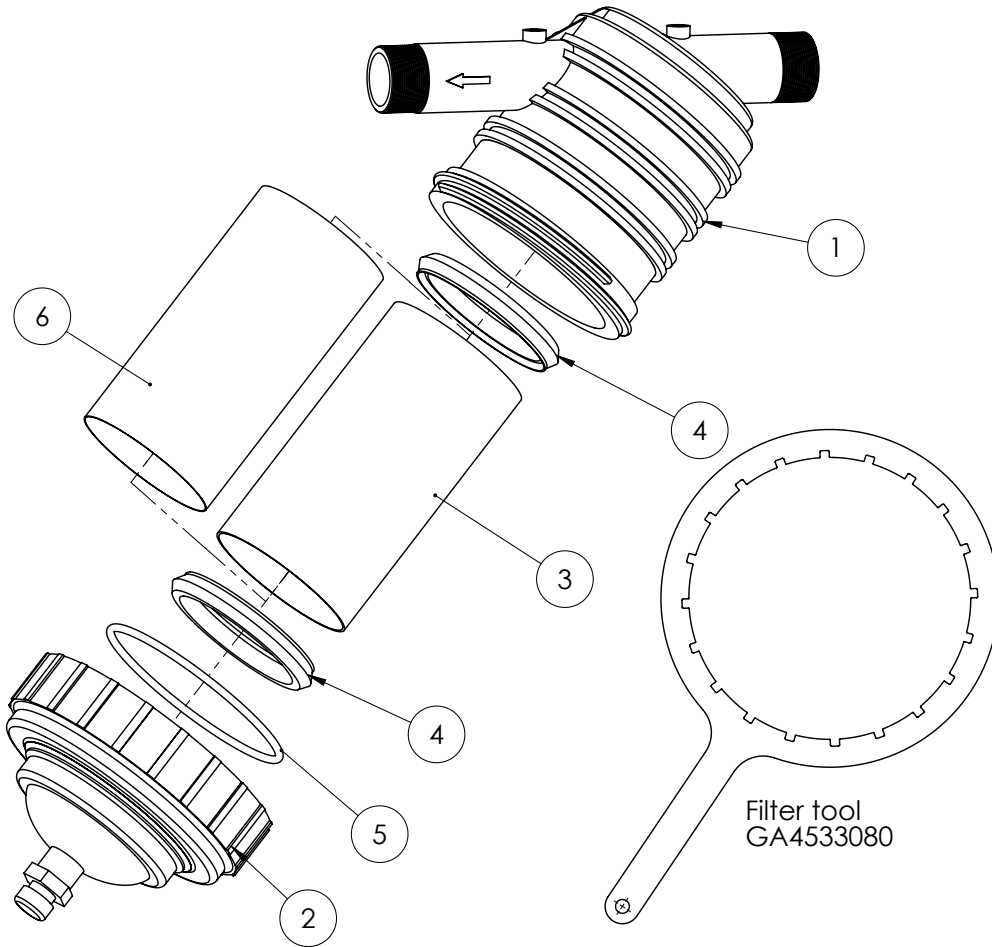
| ITEM NO. | PART NUMBER | DESCRIPTION   | QTY. |
|----------|-------------|---|------|
| 1        | GA5077285   | Filter, 75 series flange inlet & outlet, 80 mesh              | 1    |
|          | GA5077394   | Filter screen, 80 mesh, SS & polypropylene                    |      |
| 2        | GA5077284   | Filter, 75 series flange inlet & outlet, 100 mesh             | 1    |
|          | GA5077395   | Filter screen, 100 mesh, SS & polypropylene                   |      |
| 3        | GA5009335   | Seal, 41.5 ID x 55 OD x 6.5mm thick, EPDM, suit 1 1/2" flange | 3    |
| 4        | FC200       | Clamp, Worm screw, Use with 2" standard flange port           | 3    |
| 5        | GA5077827   | Hose barb, Elbow, 90 degree, 2" flange x 1" hose              | 2    |
| 6        | GA5003643   | Washer 8mm Flat SS HD   | 8    |
| 7        | GA5011503   | Bolt M8 x 140 ZP GR8.8  | 4    |
| 8        | GA5004917   | Nut M8 Nyloc ZP   | 4    |
| 9        | GA5077541   | Seal, 98 OD x 91 ID x 7mm thick                               | 2    |

## Filter - Pressure - Body Assembly



| ITEM NO. | PART NUMBER | DESCRIPTION  | QTY. |
|----------|-------------|--|------|
| 1        | GA5077285   | Filter, 75 series flange inlet & outlet, 80 mesh             | 1    |
|          | GA5077284   | Filter, 75 series flange inlet & outlet, 100 mesh            | 1    |
| 2        | GA5077394   | Filter screen, 80 mesh, SS & polypropylene                   | 1    |
|          | GA5077395   | Filter screen, 100 mesh, SS & polypropylene                  | 1    |
| 3        | GA5077539   | Filter bowl, AA126, Suits 1 1/2 + 1 1/4, Grey, Polypropylene | 2    |

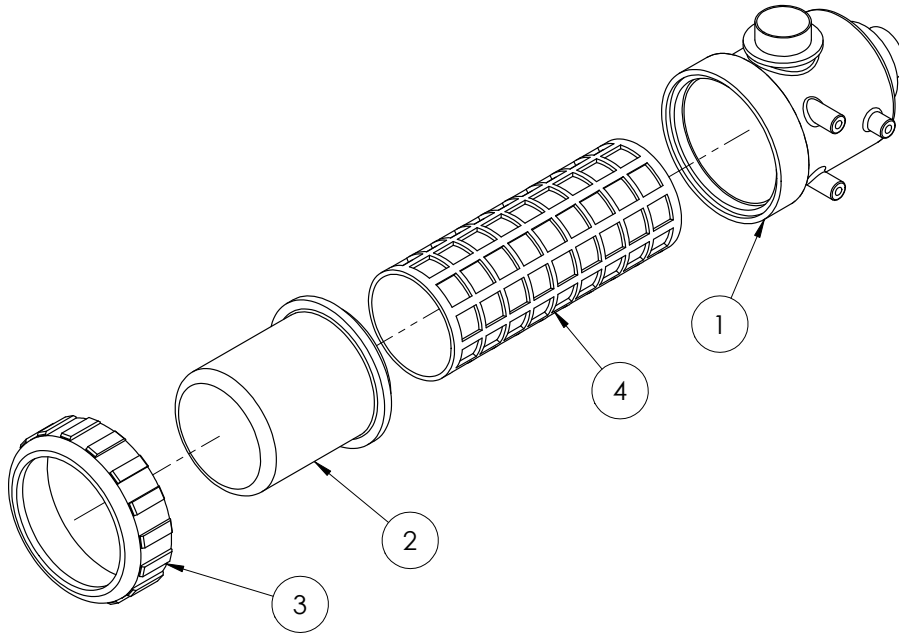
## Filter - 2" Fill



GA5001333 Fill Filter, 2", 7 mesh Stainless steel screen with 50 mesh screen sock, viton, Geoline

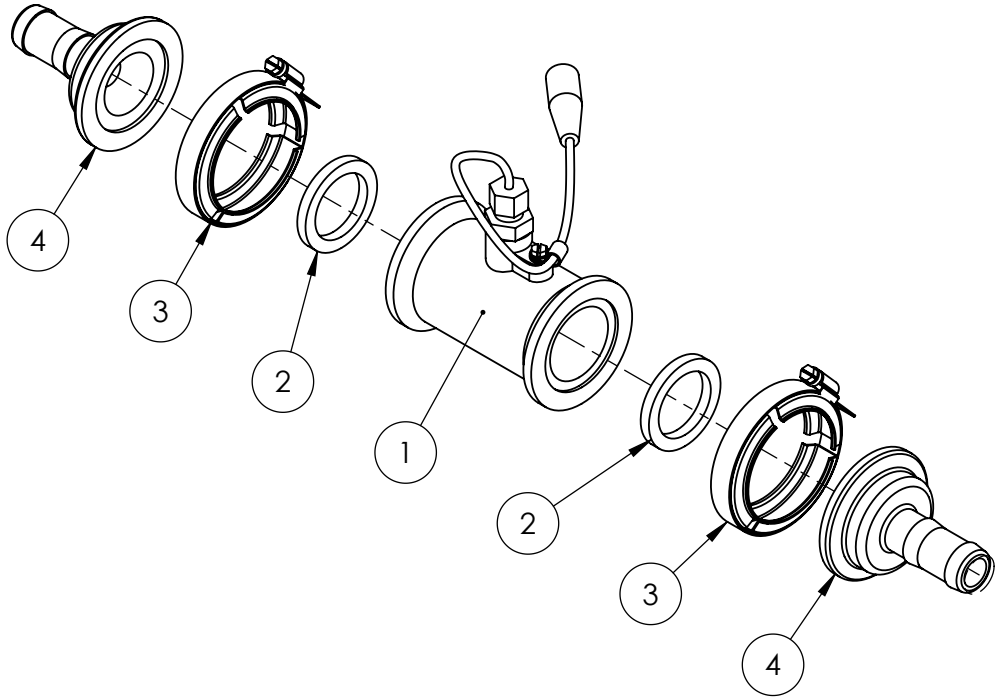
| ITEM NO. | PART NUMBER | DESCRIPTION   | QTY. |
|----------|-------------|---|------|
| 1        | GA5077347   | Body, suit 2" Geoline   | 1    |
| 2        | GA5077349   | Top cover & nut   | 1    |
| 3        | GA5076845   | Filter screen, 50 mesh, Blue, SS & polypropylene                                  | 1    |
| 4        | GA5001329   | Seal, Viton, Suit Geoline 2" fill filter  | 2    |
| 5        | GA5012545   | O-ring, Suit Geoline 2 fill filter GA5001333                                      | 1    |
| 6        | GA5000421   | Filter screen, 50 mesh, White, Sock type, Suit SS filter screen on 2" fill filter | 1    |

## Filter - 1 1/2" Suction



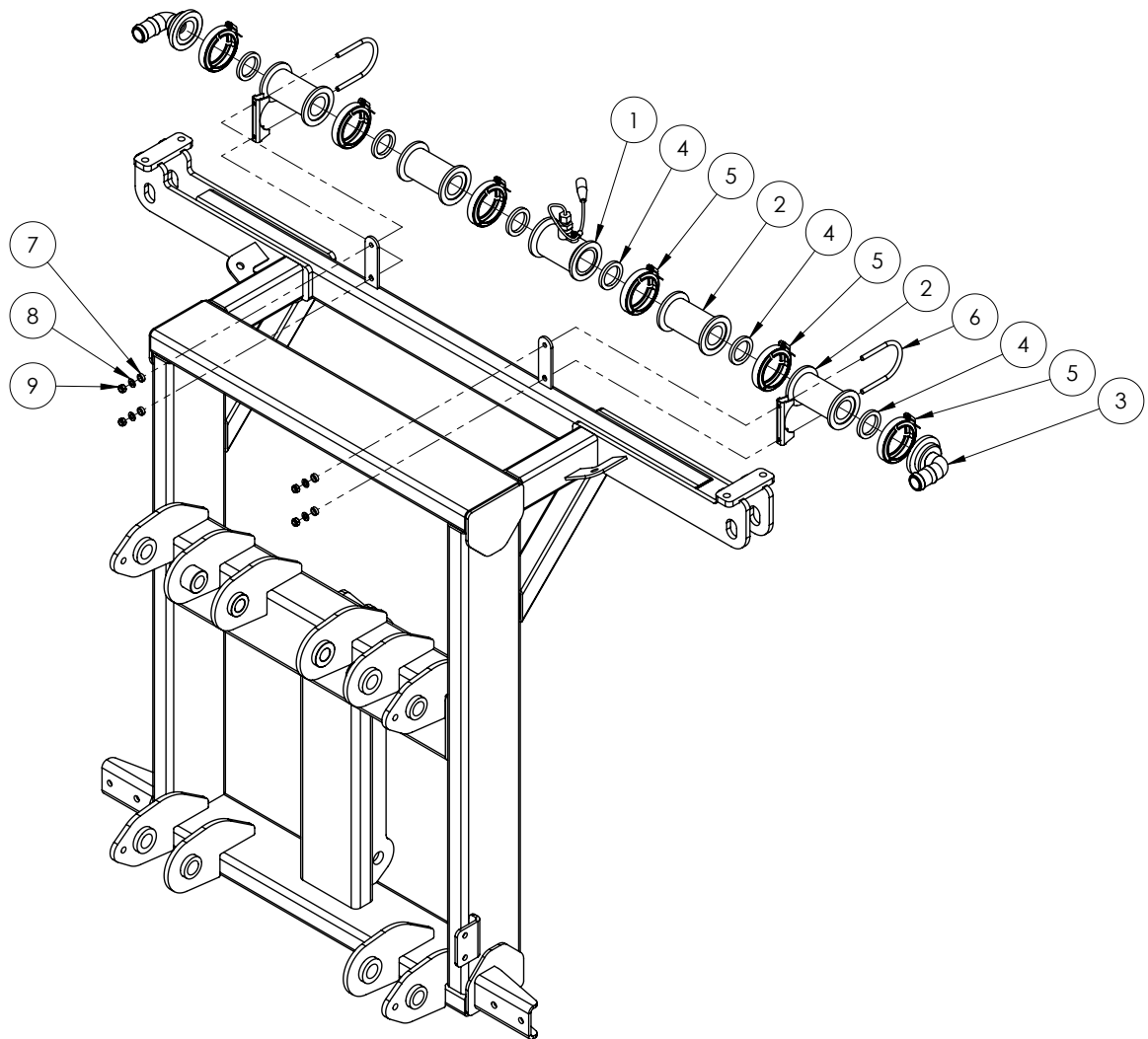
| ITEM NO. | PART NUMBER | DESCRIPTION   | QTY. |
|----------|-------------|---|------|
| -        | GA5076782   | Filter, Suction, 1 1/2" male inlet & outlet, 50 mesh screen | -    |
| 1        | 316070.01   | 317 filter body   | 1    |
| 2        | 317000.02   | 317 filter bowl   | 1    |
| 3        | 316000.04   | 317 filter nut  | 1    |
|          | GA5076779   | 32 Mesh Screen - Red (standard fitment)                     | -    |
| 4        | GA5076780   | 50 Mesh Screen - Blue                                       | -    |
|          | GA5076781   | 80 mesh Screen - Yellow                                     | -    |

# Flow Meter - Spray - I500-2500L



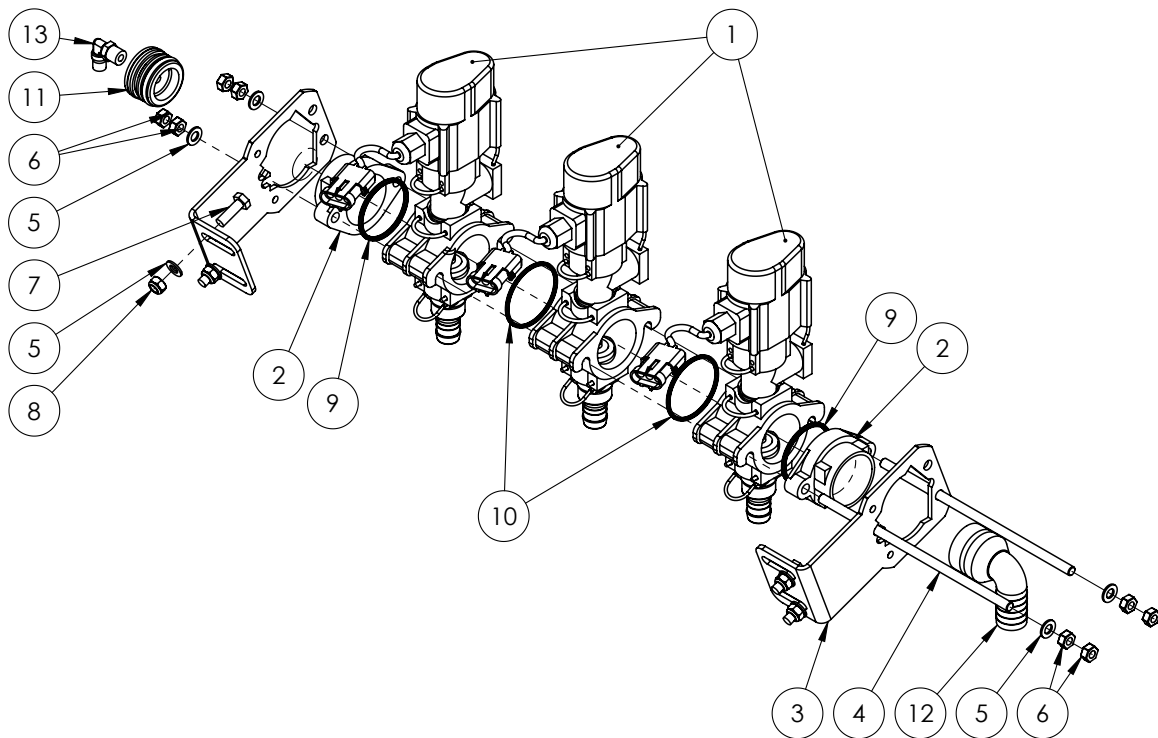
| ITEM NO. | PART NUMBER | DESCRIPTION  | QTY. |
|----------|-------------|--|------|
| 1        | GA5075892   | Flowmeter, RFM-15P with Flanged Ends Assembly, Raven | 1    |
| 2        | GA5009335   | Gasket Kamlock Nitrile 1 1/2"                        | 2    |
| 3        | FC200       | 200 Series Std Screw Clamp                           | 2    |
| 4        | GA5077826   | Hose barb, Flange, Straight, 2" flange x 1" hose     | 2    |

# Flow Meter - Spray - 3000L



| ITEM NO. | PART NUMBER  | DESCRIPTION  | QTY. |
|----------|--------------|--|------|
|          | GA5075873    | Flowmeter; RFM60P, Raven   | 1    |
| 1        | 106-0159-514 | Body, Molded RFM60P Flowmeter                                    | -    |
|          | 063-0171-669 | Sensor, External Flow Meter, Raven                               | -    |
| 2        | GA5077840    | Plumbing coupling, Straight, 2" flange x 2" flange x 4 1/2" long | 4    |
| 3        | GA5077831    | Hose barb, Elbow, 90 degree, 2" flange x 1 1/4" hose             | 2    |
| 4        | GA5009335    | Seal, 41.5 ID x 55 OD x 6.5mm thick, EPDM, suit 1 1/2" flange    | 6    |
| 5        | FC200        | Clamp, Worm screw, Use with 2" standard flange port              | 6    |
| 6        | GA5006689    | Exhaust clamp - 66mm C12   | 2    |
| 7        | GA4552080    | Crush tube, 10.2 ID x 15 OD x 5mm long                           | 4    |
| 8        | GA5003643    | Washer 8mm Flat SS HD  | 4    |
| 9        | GA5052590    | Nut M8 Nyloc SS  | 4    |

# Boom Valves Assembly



| ITEM NO. | PART NUMBER | DESCRIPTION   | QTY. |
|----------|-------------|---|------|
| 1        | GA5065515   | Boom valve, Single, AS24, 3 wire, 3 pin AMP connector, Altek              | 3    |
| 2        | GA5065810   | End cap, Altek boom valve   | 2    |
| 3        | GA5065800   | Altek boom valve mounting bracket   | 2    |
| 4        | GA5065805   | Connecting rod suit 3 bank (303 SS)                                       | 2    |
| 5        | GA5003643   | Washer 8mm Flat SS HD   | 12   |
| 6        | GA5011499   | Nut M8 ZP   | 8    |
| 7        | GA5004711   | Bolt M8 x 25 GR8.8 ZP   | 4    |
| 8        | GA5004917   | Nut M8 Nyloc ZP   | 4    |
| 9        | GA5048385   | O ring, 42.5 x 2.62 mm, BS131, suit 2" hose barb                          | 2    |
| 10       | GA5012507   | O Ring 55.25 x 2.62 mm (suit Altek boom valve)                            | 2    |
| 11       | GA4582160   | Plumbing adaptor, Plug, AS40 male x G1/4" Female Thread, Altek            | 1    |
| 12       | GA5065615   | Hose barb, Elbow 90 degree, AS40 x 25mm, Altek                            | 1    |
| 13       | GA5016233   | Pneumatic fitting, Elbow, 90 degree, 1/4" BSP male x 6mm push type, Metal | 1    |

## CONNECTING RODS

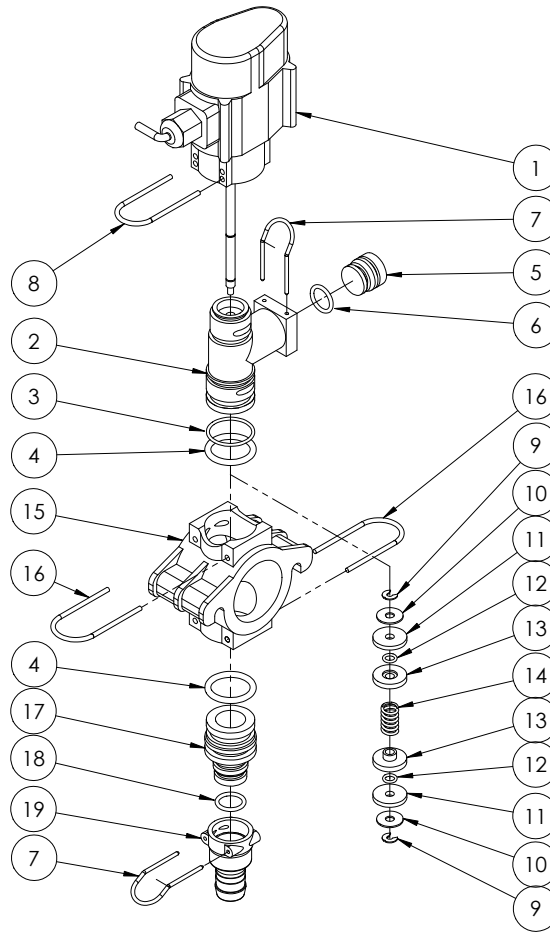
| PART NUMBER | DESCRIPTION              |
|-------------|--------------------------|
| GA5065805   | 3 Section connecting rod |
| GA4562055   | 4 Section connecting rod |
| GA4562125   | 5 Section connecting rod |
| GA4562050   | 6 Section connecting rod |
| GA4562045   | 7 Section connecting rod |
| GA4562040   | 8 Section connecting rod |

## BOOM VALVES

| PART NUMBER | DESCRIPTION           |
|-------------|-----------------------|
| GA5065740   | 3 Section Boom Valves |
| GA5065741   | 4 Section Boom Valves |
| GA5065704   | 5 Section Boom Valves |
| GA5065705   | 6 Section Boom Valves |
| GA5065706   | 7 Section Boom Valves |
| GA5065710   | 8 Section Boom Valves |

**Note:** Boom valve assemblies do not come with plumbing fittings.

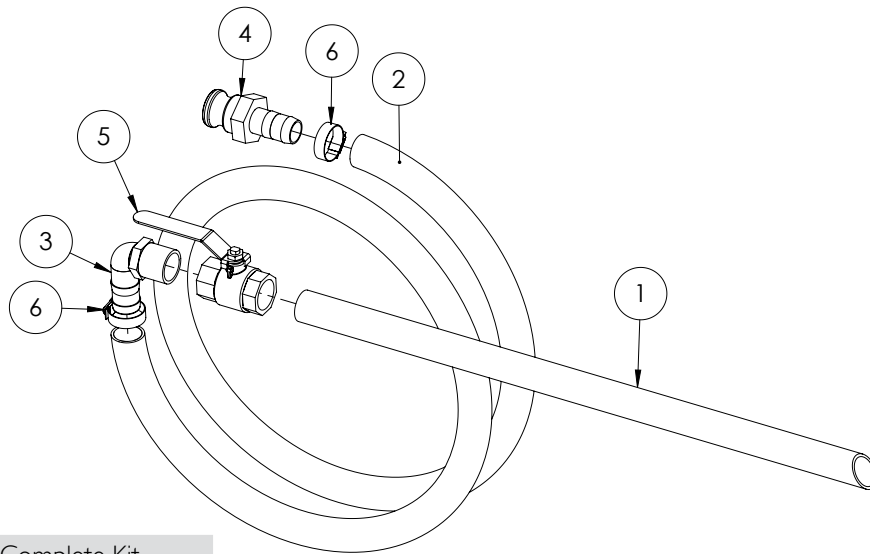
# Boom Valve Unit Assembly



| ITEM NO. | PART NUMBER | DESCRIPTION                         | QTY. |
|----------|-------------|-------------------------------------|------|
| 1        | -           | Valve body                          | 1    |
| 2        | GA5065515   | Tee body                            | 1    |
| 3        | GA5053510   | O-ring, 25 x 2.5mm, fmp 75          | 1    |
| 4        | GA5065830   | O-ring, 24.3 x 4.2mm, fmp 75        | 2    |
| 5        | 80376       | Plug                                | 1    |
| 6        | GA5065840   | O-ring 18 x 2.5mm fmp 75            | 1    |
| 7        | GA5065695   | AS24 Safety Pin                     | 2    |
| 8        | 47825       | Safety pin                          | 1    |
| 9        | GA5054650   | C-clip                              | 2    |
| 10       | GA5054640   | Washer 17.8 x 6.1 x 1mm             | 2    |
| 11       | GA5054645   | Rubber Plunger Seal, fpm 90         | 2    |
| 12       | GA5053515   | O-ring, seal, 3.43 x 3.53mm, fmp 75 | 2    |
| 13       | 80005       | Disk spring locator                 | 2    |
| 14       | 80322       | Spring 25mm                         | 1    |
| 15       | GA5065825   | Manifold                            | 1    |
| 16       | GA5065701   | Safety pin AS30                     | 2    |
| 17       | GA5065835   | Plug in hose tail AS30/AS24         | 1    |
| 18       | GA5065840   | O-ring 18 x 2.5mm fmp 75            | 1    |
| 19       | GA5065640   | Hose barb, AS24 female x 20mm hose  | 1    |



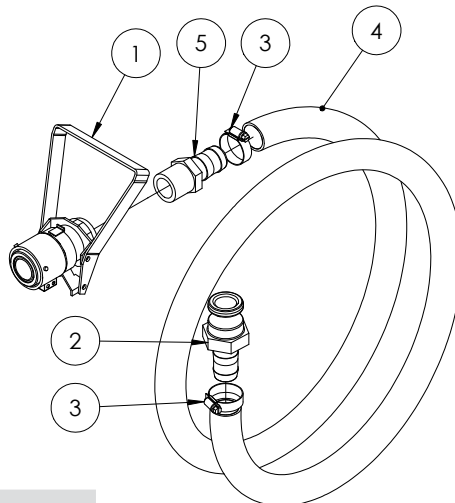
## Chemical Suction Probe



GA4948250 Complete Kit

| ITEM NO. | PART NUMBER | DESCRIPTION  | QTY. |
|----------|-------------|--|------|
| 1        | GA5013603   | Poly Pipe 25 x 650mm   | 1    |
| 2        | GA2000220   | Hose, Suction, PVC, 25mm, Black cut to 3.2m                      | 1    |
| 3        | GA5077723   | Hose barb, Elbow, 90 degree, 1" male x 1" hose, Banjo            | 1    |
| 4        | GA5076011   | Cam lever; 1" male coupling x 1" hose barb, Banjo                | 1    |
| 5        | GA5018309   | Valve, Ball, 12mm female thread inlet / outlet, Lever handle, SS | 1    |
| 6        | GA5001681   | Hose Clamp, 1" SS (20-32/12W)                                    | 2    |

## Enviro Drum/Micromatic Coupling & Hose

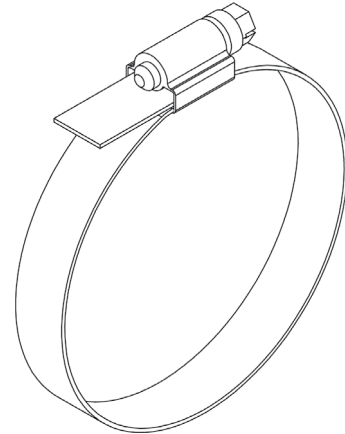


GA5020600 Complete Kit

| ITEM NO. | PART NUMBER | DESCRIPTION  | QTY. |
|----------|-------------|--|------|
| 1        | GA5018803   | Micromatic drum valve coupling, 3 pin, Viton seals   | 1    |
| 2        | GA5076011   | Cam lever; 1" male coupling x 1" hose barb, Banjo    | 1    |
| 3        | GA5001681   | Hose Clamp, 1" SS (20-32/12W)                        | 2    |
| 4        | GA2000220   | Hose, Suction, PVC, 25mm, Black cut to 2.84m         | 1    |
| 5        | GA5077718   | Hose barb, Straight, 1" male thread x 1" hose, Banjo | 1    |

## Hose Clamps

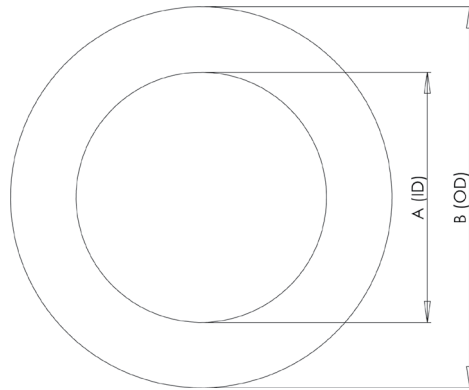
| PART NUMBER | DESCRIPTION        |
|-------------|--------------------|
| GA5004865   | 8-16mm Hose Clamp  |
| GA5000469   | 12-20mm Hose Clamp |
| GA5000999   | 16-25mm Hose Clamp |
| GA5001681   | 20-32mm Hose Clamp |
| GA5002783   | 30-45mm Hose Clamp |
| GA5002873   | 32-50mm Hose Clamp |
| GA5003325   | 40-60mm Hose Clamp |
| GA5016815   | 50-70mm Hose Clamp |
| GA5004241   | 60-80mm Hose Clamp |



## Cable Ties

| PART NUMBER | DESCRIPTION                 | QTY  |
|-------------|-----------------------------|------|
| GA5002173   | Cable Tie, Black, 100x2.5mm | 1000 |
| GA5003517   | Cable Tie, Black, 140x3.5mm | 1000 |
| GA5004455   | Cable Tie, Black, 190x4.5mm | 1000 |
| GA5000685   | Cable Tie, Black, 320x7.5mm | 100  |
| GA5000687   | Cable Tie, Black, 360x4.5mm | 100  |
| GA5021235   | Cable Tie, Black, 540x7.5mm | 100  |

# Hoses



## Suction Hose

| PART NUMBER | DESCRIPTION       | Internal Diameter (A) | Outside Diameter (B) |
|-------------|-------------------|-----------------------|----------------------|
| GA2000218   | 20mm Suction Hose | 20mm                  | 32mm                 |
| GA2000222   | 25mm Suction Hose | 25mm                  | 35mm                 |
| GA2000224   | 32mm Suction Hose | 32mm                  | 45mm                 |
| GA2000226   | 38mm Suction Hose | 38mm                  | 48mm                 |
| GA2000229   | 51mm Suction Hose | 51mm                  | 63mm                 |
| GA2000230   | 63mm Suction Hose | 63mm                  | 76mm                 |
| GA2000232   | 75mm Suction Hose | 75mm                  | 93mm                 |

**Note:** Suction hose can be identified by its external green stripe and wire reinforcement.

## Pressure Hose

| PART NUMBER | DESCRIPTION        | Internal Diameter (A) | Outside Diameter (B) |
|-------------|--------------------|-----------------------|----------------------|
| GA2000200   | 7mm Pressure Hose  | 7mm                   | 12.5mm               |
| GA2000211   | 13mm Pressure Hose | 13mm                  | 20mm                 |
| GA2000216   | 20mm Pressure Hose | 20mm                  | 28mm                 |
| GA2000219   | 25mm Pressure Hose | 25mm                  | 34mm                 |
| GA2000223   | 32mm Pressure Hose | 32mm                  | 43mm                 |
| GA2000225   | 38mm Pressure Hose | 38mm                  | 48mm                 |

**Note:** Pressure hose can be identified by its blue internal layer.

## PVC Hose

| PART NUMBER | DESCRIPTION   | Internal Diameter (A) | Outside Diameter (B) |
|-------------|---------------|-----------------------|----------------------|
| GA2000220   | 25mm PVC Hose | 25mm                  | 32mm                 |
| GA2000227   | 40mm PVC Hose | 40mm                  | 50mm                 |
| GA2000228   | 50mm PVC Hose | 50mm                  | 58mm                 |

**Note:** PVC Hose can be identified by its ribbed outer surface.

## Sight Tube Hose

| PART NUMBER | DESCRIPTION                          | Internal Diameter (A) | Outside Diameter (B) |
|-------------|--------------------------------------|-----------------------|----------------------|
| GA2000209   | 12mm Clear Sight Tube Hose           |                       |                      |
| GA2000210   | 12mm Clear Sight Tube Hose with wire |                       |                      |

## Lay Flat Hose

| PART NUMBER | DESCRIPTION             | Internal Diameter (A) | Outside Diameter (B) |
|-------------|-------------------------|-----------------------|----------------------|
| GA5021395   | 50mm Blue Lay flat Hose |                       |                      |