

CHAPTER 14

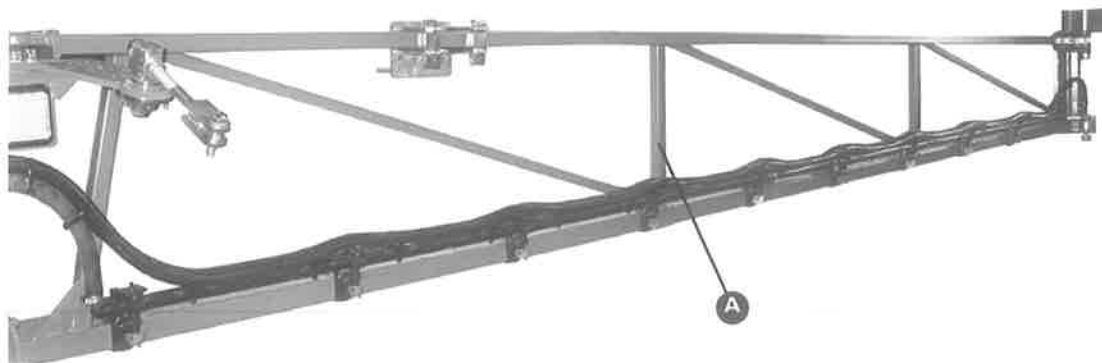
DELTA BOOMS



Inner Boom Wings	14-2
Outer Boom Wings	14-2
Cable Drum Hinge	14-3
Upper Bearing Pivot Assembly	14-3
Lower Bearing Pivot Assembly	14-4
Fold Cylinders.....	14-4
Boom End Protectors.....	14-5
Boom Cable Tensioner Assembly ..	14-5
Breakaway End Mechanism.....	14-6
Flip Over Ends	14-8
Rubber Bump Stops	14-8
Boom Protectors	14-9
Boom Fold Support Brackets	14-9
Boom Line Plumbing.....	14-10
Adjustable Nozzle Brackets	14-11
Foam Marker Components	14-12
Manual Fence Line Nozzles	14-13
Solenoid Operated Fence Line Nozzles	14-13
Boom Cable	14-14

Rev 00 27/8/09

INNER BOOM WINGS



Item	Part No	Description	Quantity
A	GA4655640	18-24m Inner Boom Wing (RH)	1
	GA4655645	18-24m Inner Boom Wing (LH)	1

OUTER BOOM SECTIONS

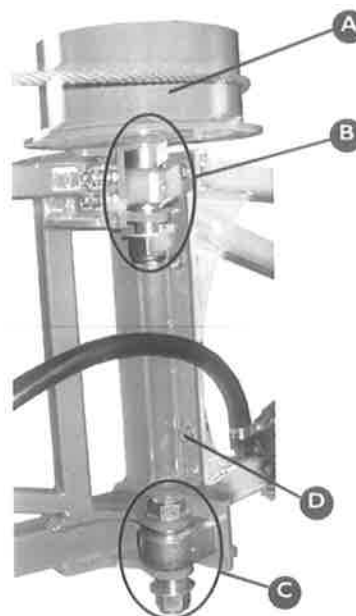


Item	Part No	Description	Quantity
A	GA4655925	18m Outer Boom (steel)	1
	GA4655930	21m Outer Boom (steel)	1
	GA4655935	24m Outer Boom (Aluminium)	1
	GA4656055	24m Outer Boom to suit Breakaway (Aluminium)	1

Note: Outer Wings can be fitted as left or right

CABLE DRUM HINGE

Item	Part No	Description	Quantity
A	GA4656170	Right Cable Drum	1
	GA4656175	Left Cable Drum	1
B	GA4932346	Upper Pivot Assembly	1
C	GA4932347	Lower Pivot Assembly	1
D-1	GA5015011	M10 x 35mm Bolt	8
D-2	GA5000141	M10 nyloc Nut	8
D-3	GA5000115	10mm Washer	16



UPPER BEARING PIVOT ASSEMBLY

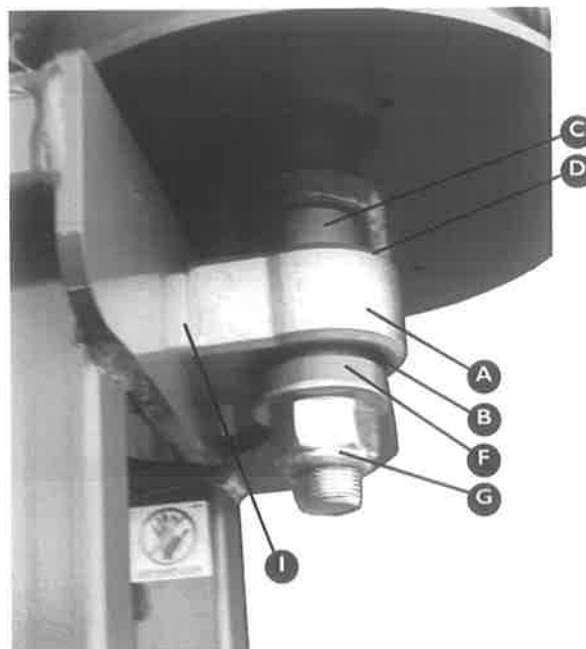
Assembly Part No GA4932346

Item	Part No	Description	Quantity ^{#1}
A	MACH0123	Bearing Housing	1
B	GA5015659	Spherical Bush	1
C	MACH0119	Pivot Bush (long)	1
D	GA5010573	Internal Circlip	1
E	GA5012203	1/4" Grease Nipple ^{#2}	1
F	DB-ADJ-02	Pivot Bush (short)	1
G-1	GA5006043	1" x 6" UNF Bolt	1
G-2	GA5012445	1" UNF Nyloc Nut	1
G-3	GA5017659	1" Washer	4
H-1	GA5020115	M10 x 30mm Cap Screw ^{#2}	4
H-2	GA5000115	10mm Washer ^{#2}	4
H-3	GA5000137	10mm Spring Washer ^{#2}	4
I	F70771A	1mm Shim	*

* Quantity Varies

^{#1} Quantities are per side

^{#2} Not Shown



LOWER BEARING PIVOT ASSEMBLY

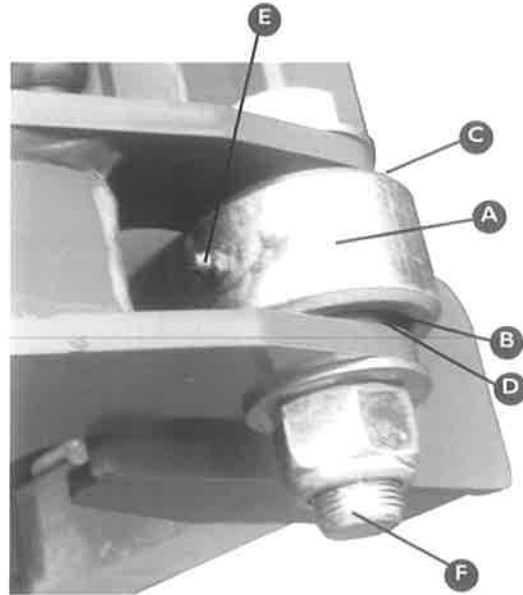
Assembly Part No GA4932347

Item	Part No	Description	Quantity ^{#1}
A	MACH0123	Bearing Housing	1
B	GA5015659	Spherical Bush	1
C	GA5010573	Internal Circlip	1
D	DB-ADJ-02	Pivot Bush (short)	2
E	GA5012203	1/4" Grease Nipple	1
F-1	GA5006041	1" x 5 1/2" UNF Bolt	1
F-2	GA5012445	1" UNF Nyloc Nut	1
F-3	GA5017659	1" Washer	4
G-1	GA5020115	M10 x 30mm Cap Screw ^{#2}	4
G-2	GA5000115	10mm Washer ^{#2}	4
G-3	GA5000137	10mm Spring Washer ^{#2}	4
H	F70771A	1mm Shim ^{#2}	*

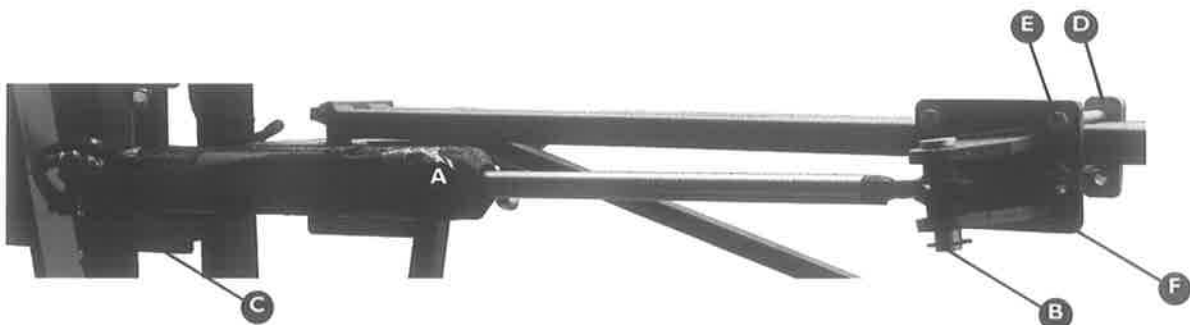
* Quantity Varies

^{#1} Quantities are per side

^{#2} Not Shown



FOLD CYLINDERS



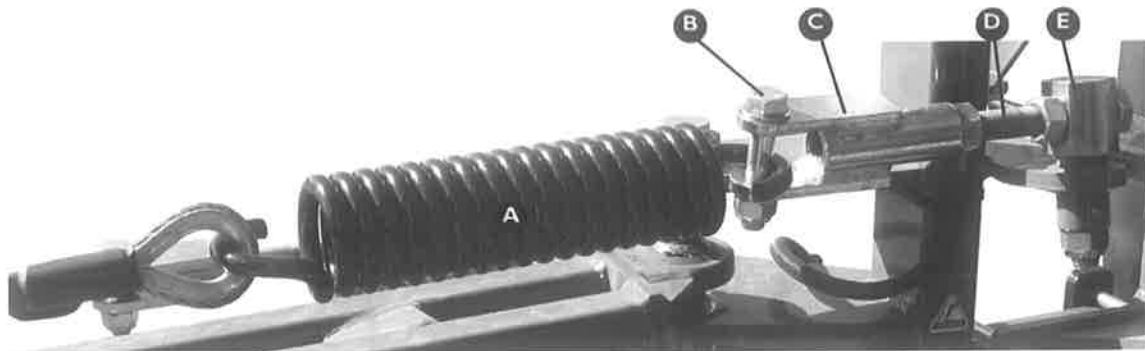
Item	Part No	Description	Quantity	Item	Part No	Description	Quantity
A	GA5018555	Right Fold Cylinder	1	D	F70107A	Mounting Bolt Plate	8
	GA5018557	Left Fold Cylinder	1	E-1	GA5000265	M12 x 100mm Bolt	16
B-1	L001A	Fold Cylinder Pin	4	E-2	GA5012461	M12 Nyloc Nut	16
B-2	GA5001223	E-Clip	4	E-3	GA5000577	12mm Washer	32
C	GA4656505	Right Connection Clevis	1	F	GA4656515	Right Boom Clevis	1
	GA4656510	Left Connection Clevis	1		GA4656520	Left Boom Clevis	1

BOOM END PROTECTORS



Item	Part No	Description	Quantity	Item	Part No	Description	Quantity
A	GA4901385	Pair of Boom End Protector Bars (LH + RH)	1	B-1	GA5004741	M8 x 75mm Bolt	4
	GA4656314	Right Boom End Protector Bar	1	B-2	GA5004917	M8 Nyloc Nut	4
	GA4656315	Left Boom End Protector Bar	1	B-3	GA5002597	3/8" x 1 1/4" Washer	8

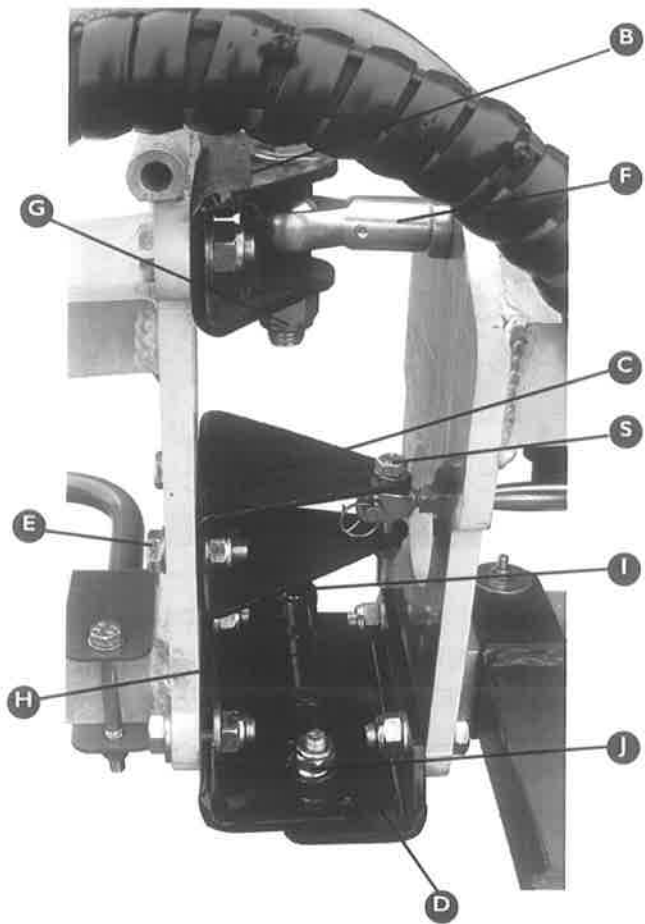
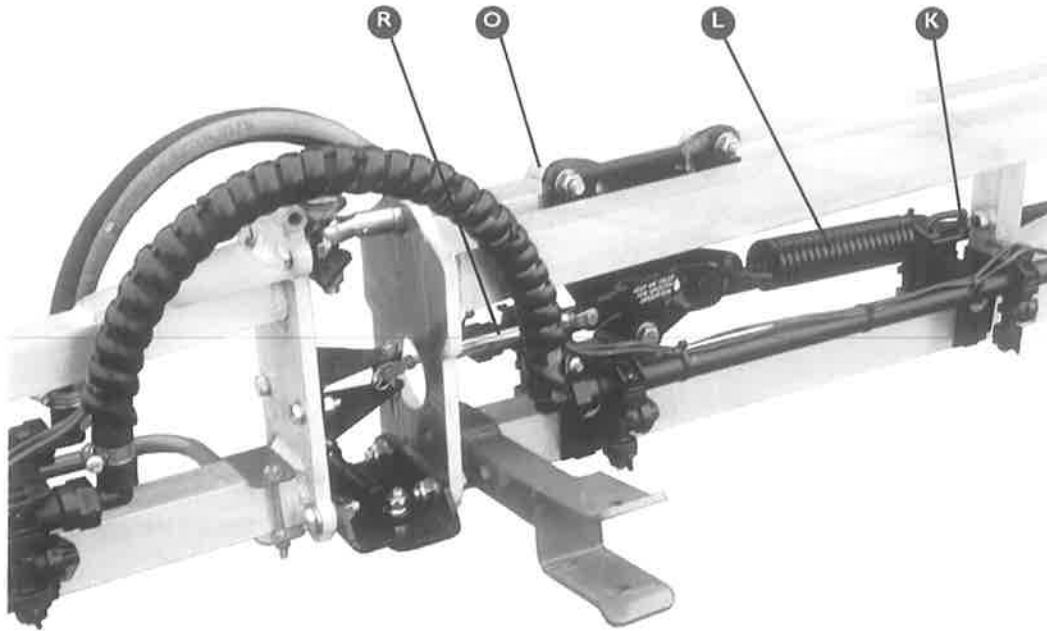
BOOM CABLE TENSIONER ASSEMBLY



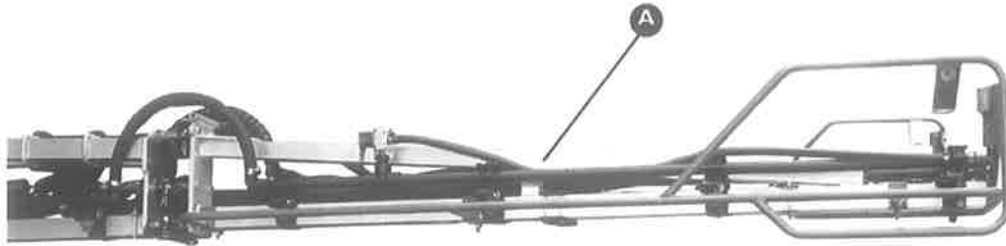
Item	Part No	Description	Quantity*	Item	Part No	Description	Quantity*
A	GA5016605	Cable Spring	1	D-2	GA5048125	M20 Nut	2
B-1	GA5000955	M16 x 75mm Bolt	1	D-3	GA5001739	20mm Washer	2
B-2	GA5001029	M16 Nyloc Nut	1	E-1	L006A	Pivot Housing	1
B-3	GA5001009	16mm Washer	2	E-2	GA5012467	M20 Nyloc Nut	1
C	GA4656265	Screw on Clevis	1	E-3	GA5001739	20mm Washer	2
D-1	MACH0137	M20 Cable Bolt	1				

* Quantity is per side

BREAK AWAY MECHANISM



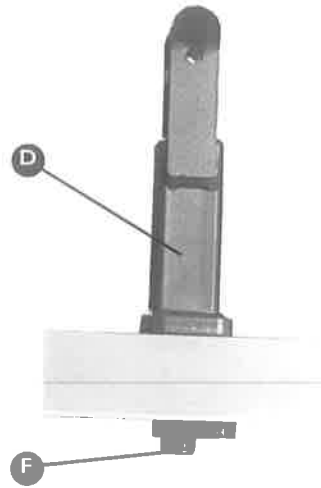
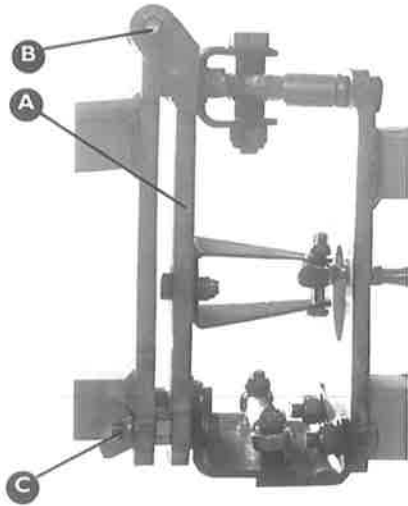
BREAK AWAY MECHANISM



Item	Part No	Description	Quantity*	Item	Part No	Description	Quantity*
A	GA4656120	Aluminium Breakaway (2m)	1	J-3	GA5000117	10mm Washer	2
B	GA4502095	Top Breakaway Bracket	1	J-4	GA4552075	Crush Tube	1
C	GA4502100	Middle Breakaway Bracket	1	K-1	GA5008545	M12 Eye Bolt	1
D	GA4502105	Bottom Breakaway Bracket	2	K-2	GA5012461	M12 Nyloc Nut	1
E-1	GA5011231	M12 x 35mm Bolt	8	K-3	GA5000559	M12 Nut	1
E-2	GA5012461	M12 Nyloc Nut	8	K-4	GA5000577	12mm Washer	2
E-3	GA5000577	12mm Washer	16	L	GA5016605	Tension Spring	1
F-1	GA5014469	16mm Female Rod End	1	M	GA4532565	Breakaway Spring Plate	1
F-2	GA5011287	M16 x 40mm Bolt	1	N	GA4656115	Torque Multiplier Plate	1
F-3	GA5001043	16mm Washer	1	O-1	GA5011251	M12 x 52 x 80 U-Bolt	2
F-4	GA5001051	16mm Spring Washer	1	O-2	GA5012461	M12 Nyloc Nut	4
G-1	GA5000949	M16 x 70mm Bolt	1	O-3	GA5000577	12mm Washer	4
G-2	GA5001029	M16 Nyloc Nut	1	P-1	GA5011183	M10 x 45mm Cap Screw	1
G-3	GA5001043	16mm Washer	2	P-2	GA5000141	M10 Nyloc Nut	1
G-4	GA4552070	Crush Tube	2	P-3	GA5000117	10mm Washer	1
H	GA4902060-3	Rod End Link	1	P-4	GA4552075	Crush Tube	1
I-1	GA5011183	M10 x 45mm Cap Screw	1	Q	GA4532590	Turnbuckle Plate	1
I-2	GA5000141	M10 Nyloc Nut	1	R	GA5066930	Turnbuckle	1
I-3	GA5000117	10mm Washer	2	S-1	GA5011477	M8 x 30mm Bolt	1
I-4	GA4552080	Crush Tube	2	S-2	GA5004917	M8 Nyloc Nut	1
J-1	GA5011183	M10 x 45mm Cap Screw	1	S-3	GA5003643	8mm Washer	2
J-2	GA5000141	M10 Nyloc Nut	1				

* Quantity per side

FLIP OVER END MECHANISM

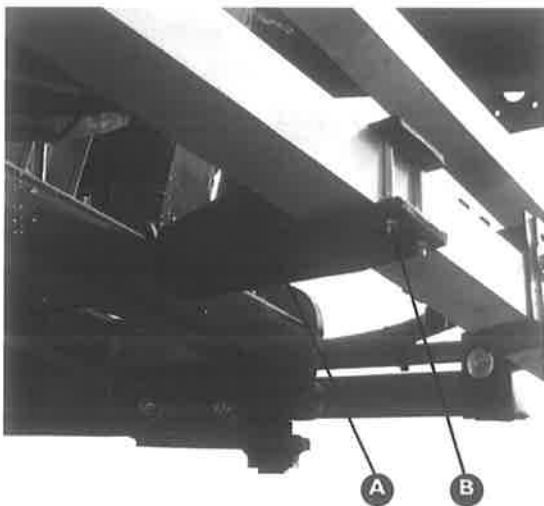


Item	Part No	Description	Quantity*
A	GA4656110	Pivot Plate Assembly	1
B-1	GA5066910	M10 x 160mm Bolt	1
B-2	GA5000141	M10 Nyloc Nut	1
B-3	GA5000117	10mm Washer	2
C-1	GA5000335	M12 x 60mm Bolt	2
C-2	GA5000559	M12 Nut	2

Item	Part No	Description	Quantity*
C-3	GA5000591	M12 Wing Nut	2
C-4	GA5000577	12mm Washer	2
D	GA4656310	Boom Saddle	1
E	GA5048380	Pin with Clip*	1
F-1	GA5012461	M12 Nyloc Nut	1
F-2	GA5000577	12mm Washer	1

* Not shown in photos
Quantity per side

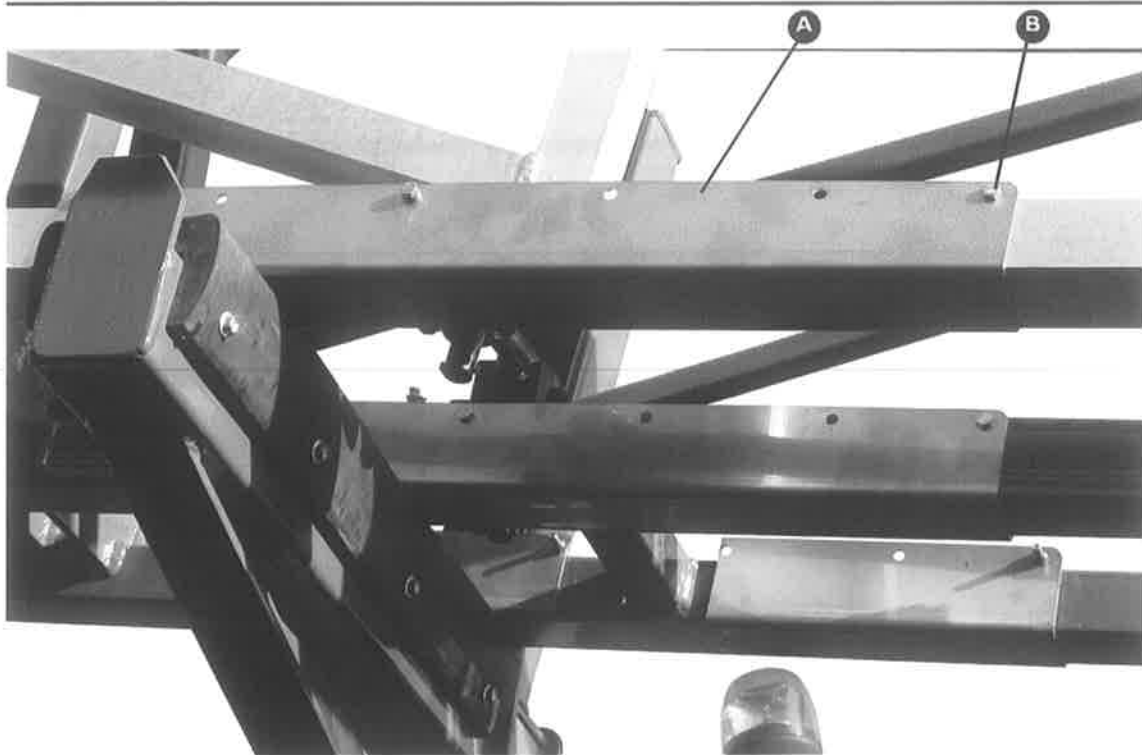
RUBBER BUMP STOP



Item	Part No	Description	Quantity*
A	GA5006225	Boom Bump Stop	1
B-1	GA5004103	M6 x 70mm Bolt	2
B-2	GA5048115	M6 Nyloc Nut	2
B-3	GA5004437	6mm Washer	4

* Quantity per side

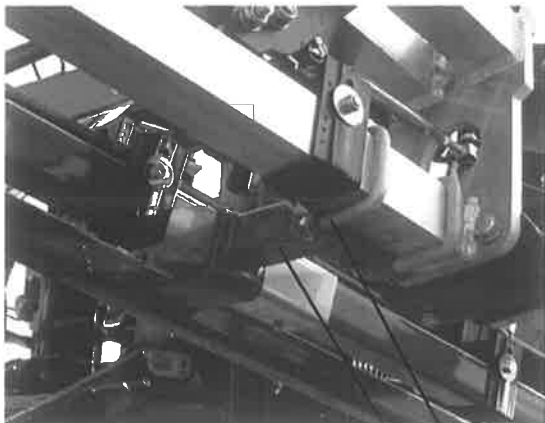
BOOM PROTECTORS



Item	Part No	Description	Quantity*
A	F70799A	Boom Protector (600mm)	1
	F70287A	Boom Protector (400mm)	1
	F70294A	Boom Protector (200mm)	1
B-1	GA5004103	M6 x 70mm Bolt	2
B-2	GA5048115	M6 Nyloc Nut	2
B-3	GA5004437	6mm Washer	4

* Quantity per side

BOOM FOLD SUPPORT BRACKET



Item	Part No	Description	Quantity*
A	GA4656281	Boom Fold Bracket #1	1
B-1	GA5011251	M12x52mmx80mm U Bolt	2
B-2	GA5012461	M12 Nyloc Nut	4
B-3	GA5000577	12mm Washer	4

* Quantity per side

#1 Used on Aluminium Outer Wings Only

BOOM LINE PLUMBING



Item	Part No	Description	Quantity	Item	Part No	Description	Quantity
A	GA5018273	4 Hole, 1600mm long Poly Boom Manifold	*	B	QJ17560A	Teejet Nozzle Body ^{#1#2}	*
	GA5018275	5 Hole, 2100mm long Poly Boom Manifold	*	C	HBF075	3/4" Hose Barb (Female)	*
	GA5018279	6 Hole, 2600mm long Poly Boom Manifold	*	D	400278	3/4" Adapter	*
	GA5018281	7 Hole, 3100mm long Poly Boom Manifold	*	E	19843-NYR	Shut Off Cap	*
				F-1	GA5003621	M8 x 16mm Bolt (Plastic) ^{#2}	*
					GA5011465	M8 x 16mm Bolt (Steel) ^{#2}	*
				F-2	GA5003623	M8 Plastic Nut ^{#2}	*
					GA5004917	M8 Nyloc Nut ^{#2}	*

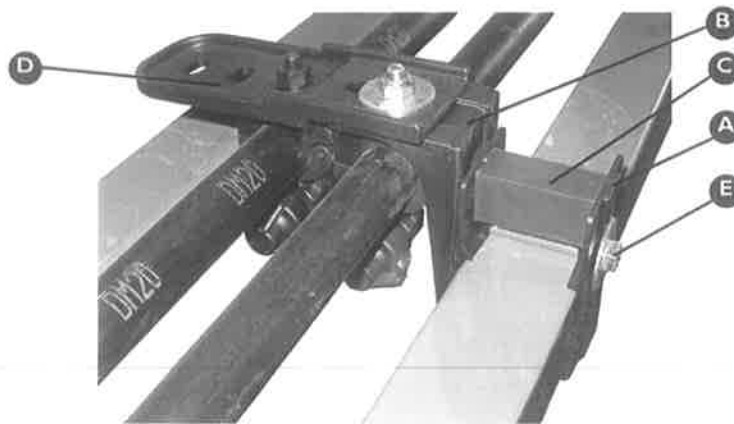
Note: All poly boom manifolds come with 50cm hole spacing and 3/4" BSP threaded ends, different spacing available upon request.

^{#1}For full range of Teejet Nozzles and Accessories refer to Teejet Catalogue or www.teejet.com

^{#2}Note on dual line booms the line closest the nozzle bracket has the plastic bolt replaced with a metal one.

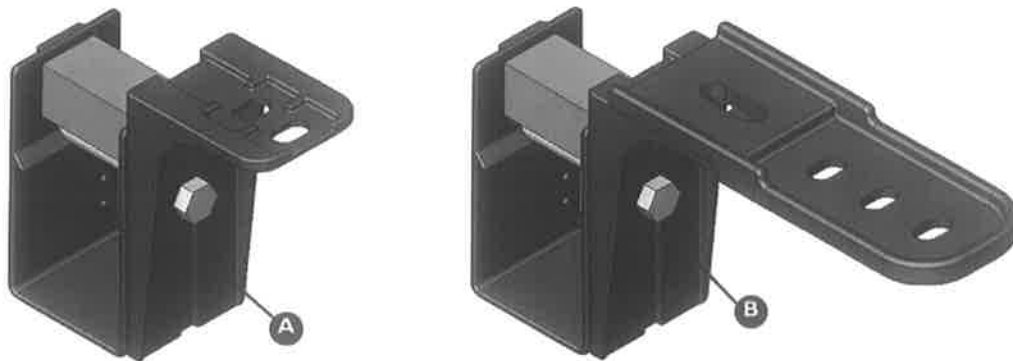
* Quantity dependant on boom configuration

ADJUSTABLE NOZZLE BRACKETS



Item	Part No	Description	Quantity	Item	Part No	Description	Quantity
A	GA5018259	"U" Nozzle Bracket to suit 50mm RHS	1	E-1	GA5004741	M8 x 75mm Bolt	1
B	GA5018257	"L" Nozzle Bracket	1	E-2	GA5004917	M8 Nyloc Nut	1
C	GA5066965	Spacer	1	E-3	GA5002627	3/8" x 1 1/4" Washer	2
D	GA5018255	Dual Boom Nozzle Extension Bracket	1				

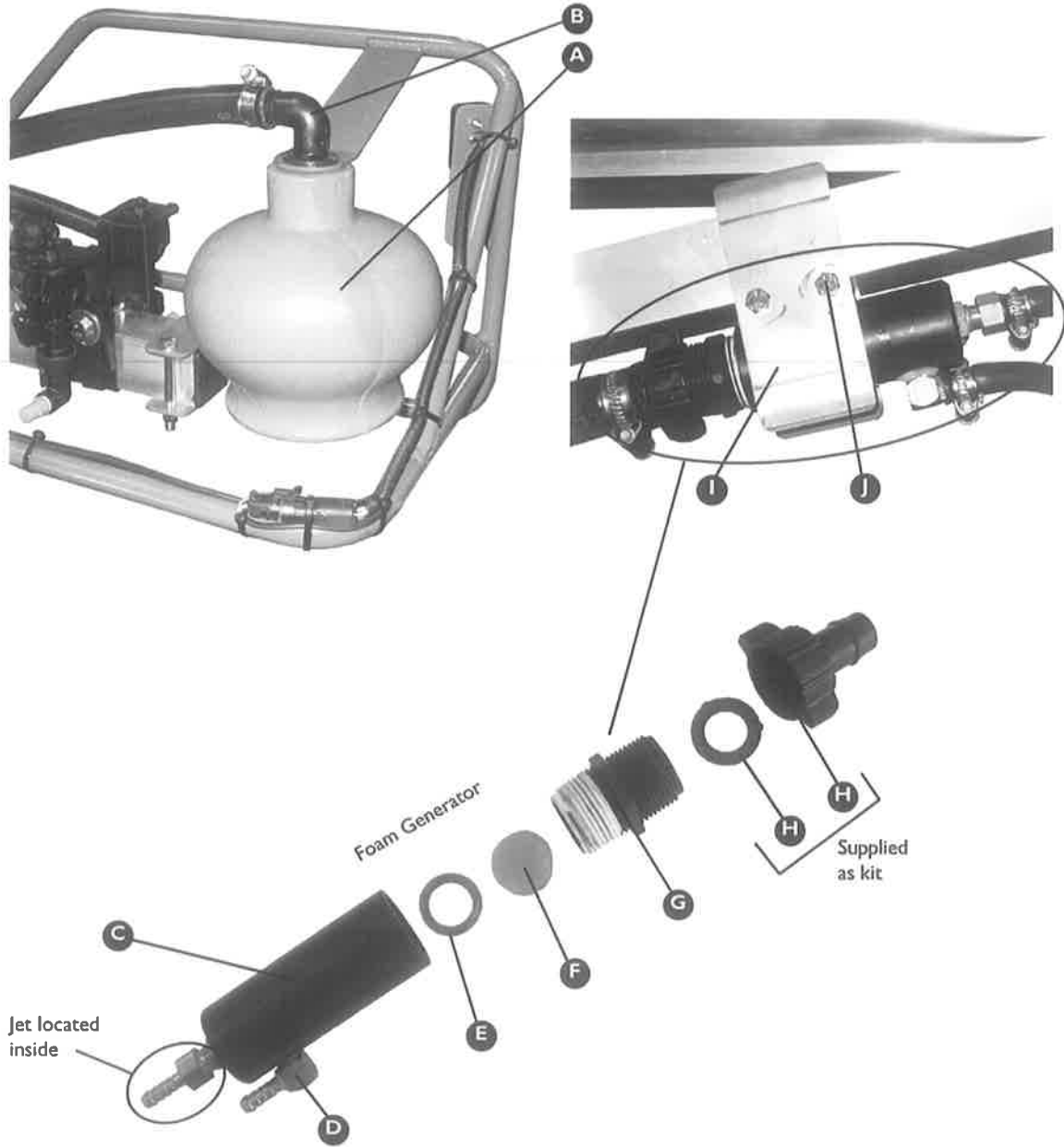
PRE PACKAGED KITS



Item	Part No	Description	Quantity
A	GA4948675	Single line nozzle bracket Kit	
B	GA4948695	Dual Line nozzle bracket (rear side) Kit	
C	GA4948685	Dual Line nozzle bracket (both sides) Kit	



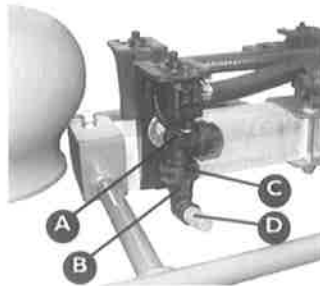
FOAM MARKER COMPONENTS



Item	Part No	Description	Quantity	Item	Part No	Description	Quantity
A	GA5008491	Foam Accumulator	1	G	NIP100-SH	1" Nipple	1
B	118319	Elbow	1	H	GA5007621	19mm x 1" Barb	1
C	FGEN-COM	Foam Generator Outer	1	I	F70239A	Generator Bracket	2
D	GA5066950	1/4" x 1/8" Elbow	1	J-1	GA5004097	M6 x 60mm Bolt	2
E	GA5002497	3/4" Copper Washer	1	J-2	GA5048115	M6 Nyloc Nut	2
F	GA4948390	Mesh Screen	1	J-3	GA5004437	6mm Washer	4

* Note for other foam marker components refer to Chapter 9: Foam Marker

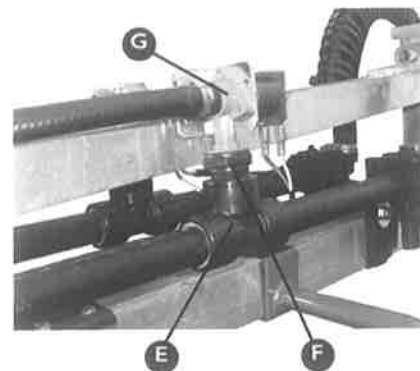
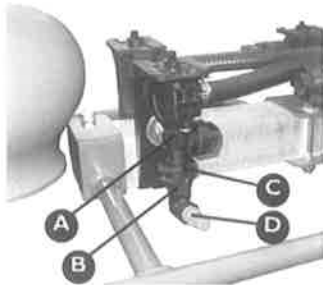
MANUAL FENCE LINE NOZZLE



Item	Part No	Description	Quantity
A	58140-NYB	Manual Nozzle Body	1
B	QJ4676-90-1/4-NYR	90 Degree Nozzle Adapter	1
C	CP19438-EPR	Seal*	1
D	BI/4XP10L	Left Fence Line Nozzle	1
	BI/4XP10R	Right Fence Line Nozzle	1
E	CP38936-NYB	End Barb Adapter	1

* Not shown in photo

SOLENOID OPERATED FENCE LINE NOZZLE



Item	Part No	Description	Quantity	Item	Part No	Description	Quantity
A	58140-NYB	Manual Nozzle Body	1	E	TEE075	3/4" Tee	1
B	QJ4676-90-1/4-NYR	90 Degree Nozzle Adapter	1	F	RB075-050	3/4" x 1/2" Reducing Bush	1
C	CP19438-EPR	Seal*	1	G	GA501842I	Fence Line Solenoid*	1
D	BI/4XP10L	Left Fence Line Nozzle	1	H	CP38936-NYB	End Barb Adapter	1
	BI/4XP10R	Right Fence Line Nozzle	1				

Note: Nozzle bodies are the same for solenoid operated fence line nozzles as manual ones.

* Not shown in photo

* Solenoid repair kit available Part No. GA5018419

BOOM CABLE

Item	Part No	Description	Quantity*
A	GA5000073	Cable	10.33m
B	GA5000215	Loop	2
C	GA5005391	Ferrule	2

* Quantity is per side

