

# CHAPTER I

---

## CHASSIS

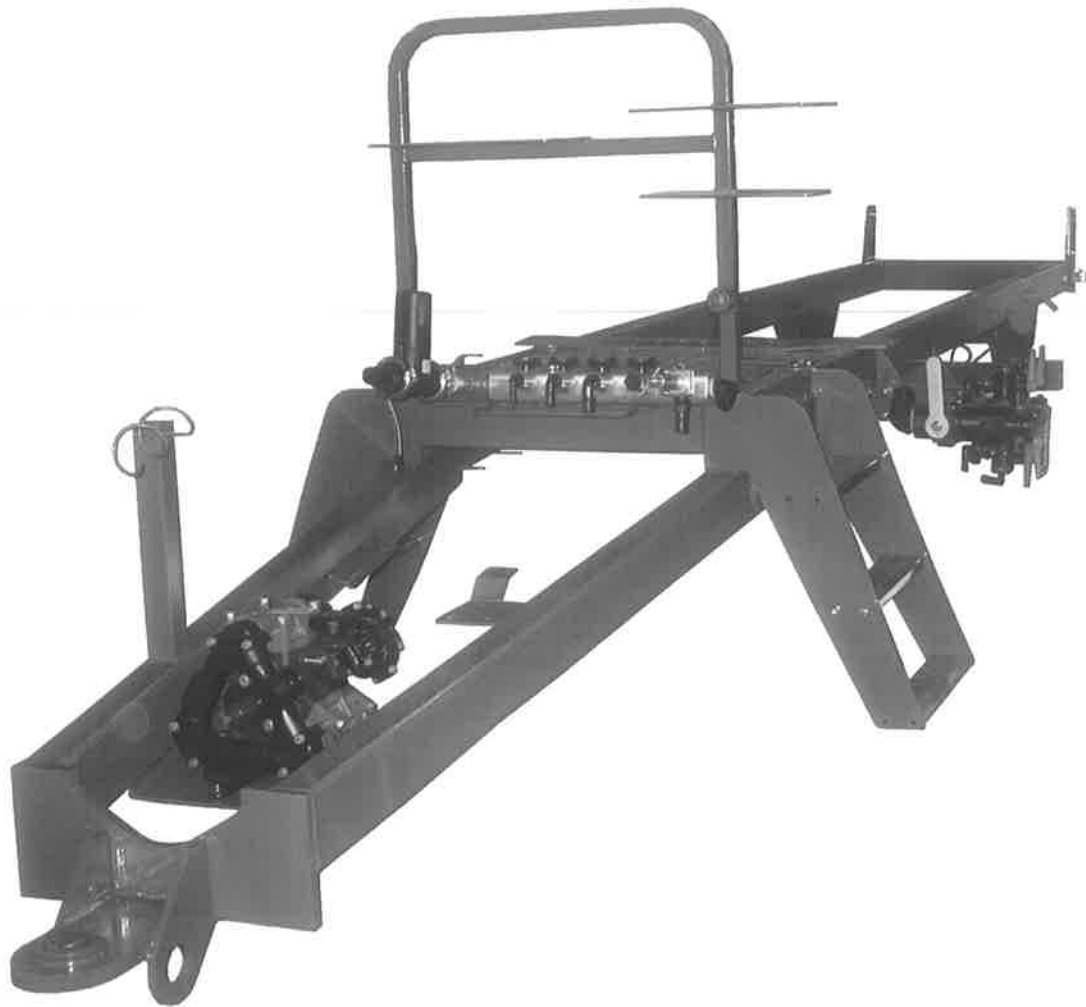


Main Chassis .....	1-2
Jack .....	1-3
H-Frame .....	1-4
Boom Rests.....	1-5
Steps .....	1-6
Drawbar Accessories .....	1-7
Manual Holder .....	1-8

Rev 00 27/8/09

## MAIN CHASSIS

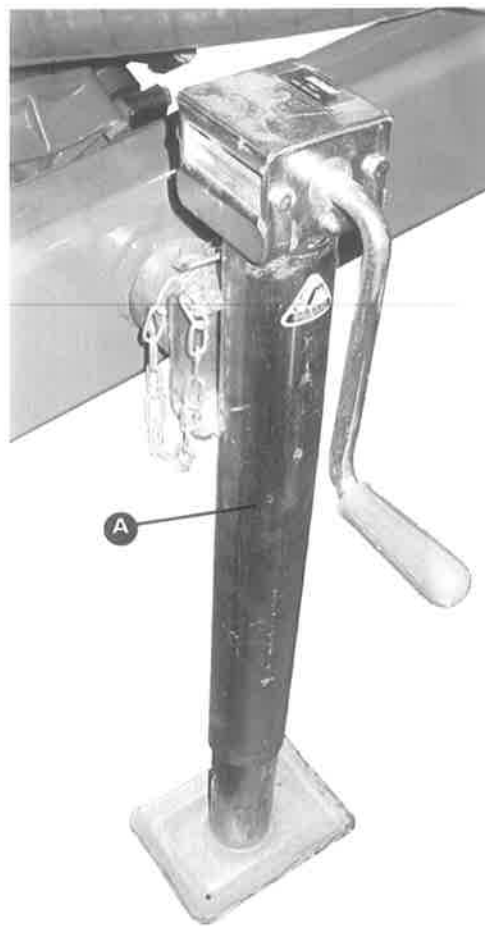
---



<b>Part No</b>	<b>Description</b>
GA4652115	3000L Prairie Special Chassis (Bare)

# JACK

---



Item	Part No	Description	Quantity
A	GA5015213	Jack with chain & pin	1

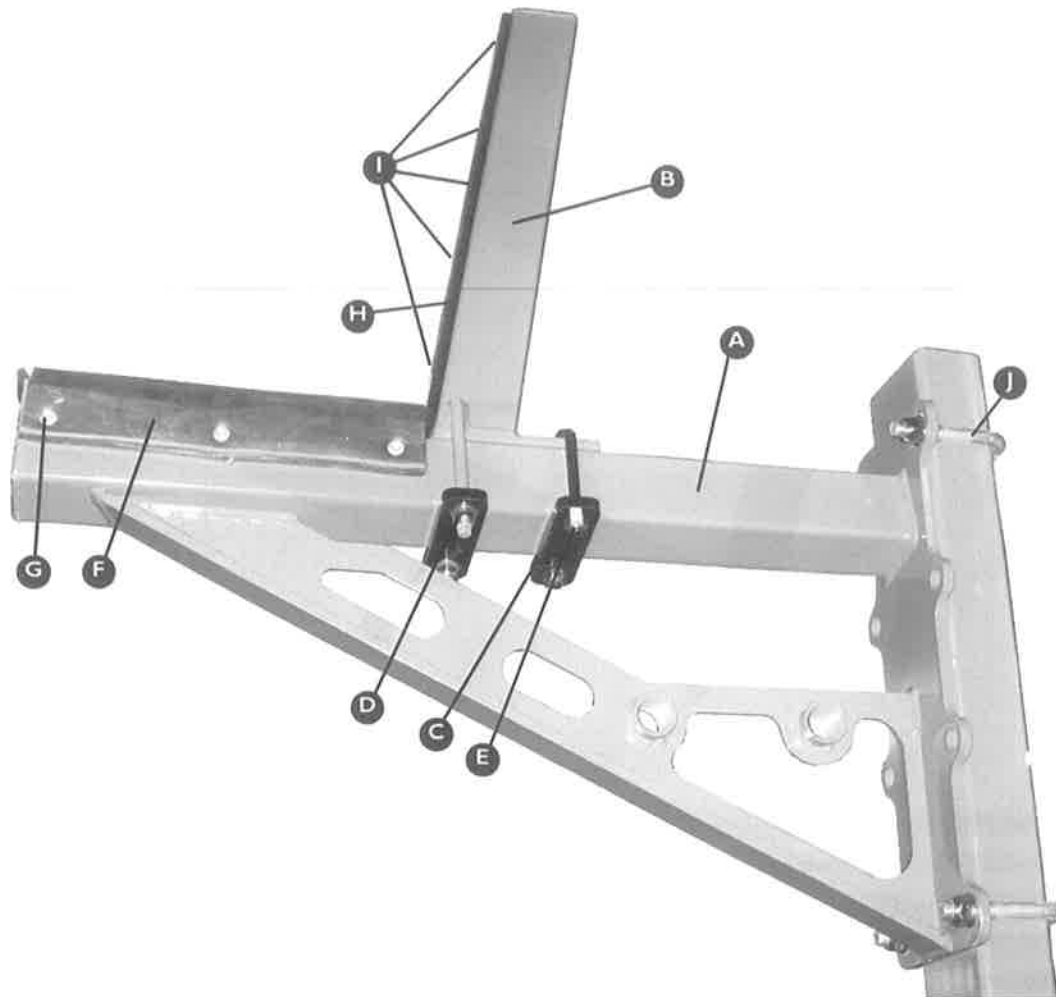
# H-FRAME

---



Item	Part No	Description	Quantity
A	GA4654175	H-Frame	1
B-1	GA5000931	M16 x 50mm Bolt	8
B-2	GA5001029	M16 Nyloc Nut	8
B-3	GA5001043	16mm Washer	16

## BOOM RESTS

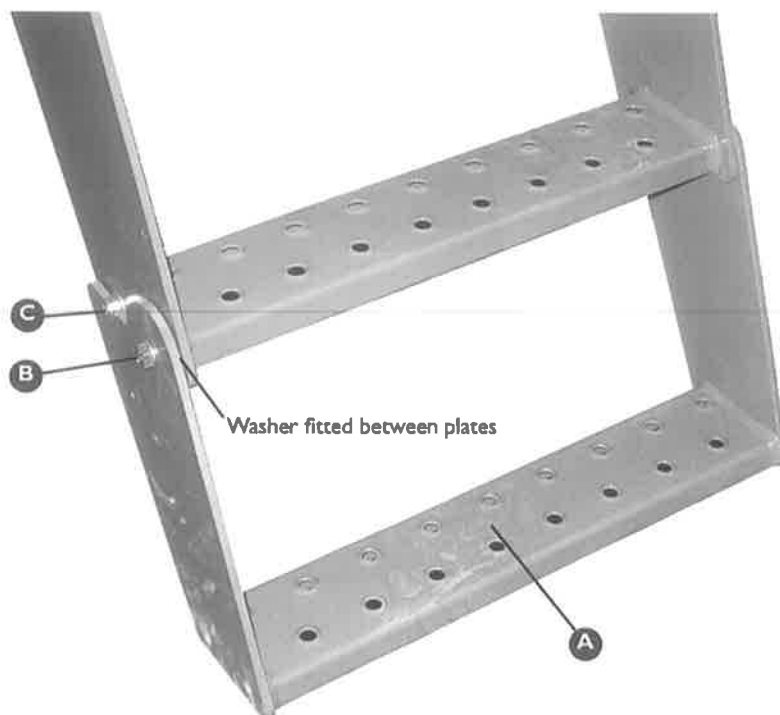


Item	Part No	Description	Quantity	Item	Part No	Description	Quantity
A	GA4654200	Right Boom Rest	1	E-1	GA5000577	12mm Washer	2
	GA4654205	Left Boom Rest	1	F	GA5014617	Boom Rest Rubber	1
B	GA4654250	Boom Rest Upright	1	G	GA5000707	Tex Screw	6
C	F70107A	Upright Retainer Plate	2	H	GA5066630	Plastic Guide Plate	1
D-1	GA5012461	M12 Nyloc Nut	2	I	GA5051230	Counter Sunk Screw*	5
D-2	GA5000577	12mm Washer	4	J-1	GA5011277	M16 x 127mm x 110mm U Bolt	2
E-1	GA5011259	M12 x 76mm x 110mm U Bolt	1	J-2	GA5001029	M16 Nyloc Nut	4
E-2	GA5012461	M12 Nyloc Nut	2	J-3	GA5001043	16mm Washer	4

\* Not Shown hidden from view

# Note all components duplicated for other side of sprayer

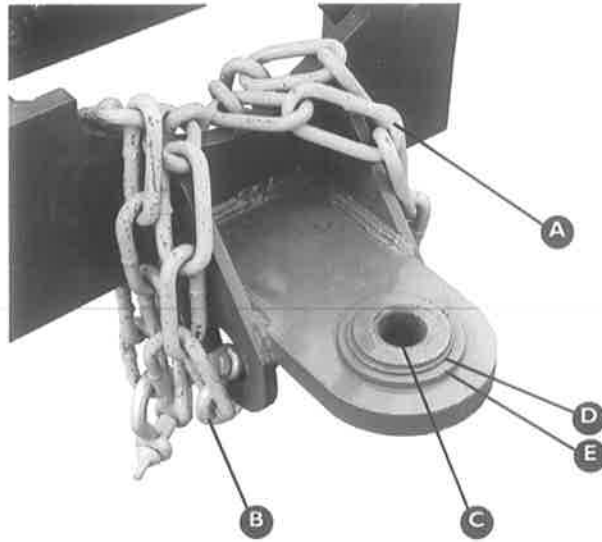
# STEPS



Item	Part No	Description	Quantity*
A	GA4654585	Step Lower	1
B-1	GA5050180	M10 x 25mm Bolt	2
B-2	GA5000141	M10 Nyloc Nut	2
B-3	GA5000117	10mm Washer	6
C-1	GA5020110	M10 x 25mm Cap Screw	2
C-2	GA5000141	M10 Nyloc Nut	2
C-3	GA5000117	10mm Washer	4

\* Quantity is per side of machine

## DRAWBAR ACCESSORIES



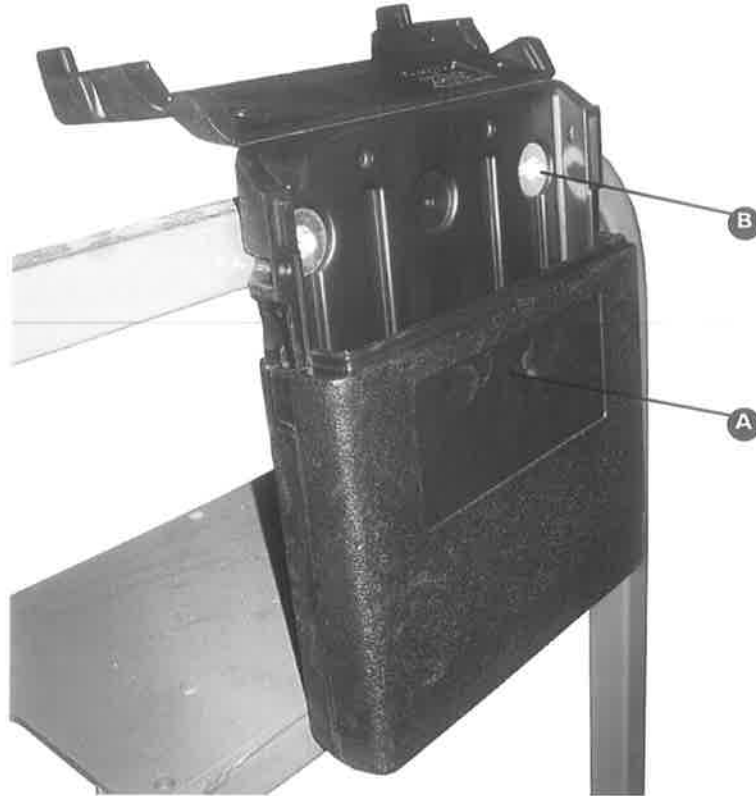
Item	Part No	Description	Quantity
A	GA5065030	Safety Chain (11 Links)	2
B	GA5000667	D Shackle	4
C	HDBB001MACH	32mm Tow Eye Bush*	1
	HDBB002MACH	40mm Tow Eye Bush#	1
	HDBB003MACH	50mm Tow Eye Bush#	1
	HDBB004MACH	55mm Tow Eye Bush#	1
D	GA5008521	External Circlip	1
E	HDBW001MACH	Drawbar Washer	1

\* Standard fitment

# Optional sizes available

## MANUAL HOLDER

---



Item	Part No	Description	Quantity
A	GA5049630	Plastic Manual Holder	1
B-1	GA5000707	Tek Screw	2
B-2	GA5003645	5/16" x 1 1/4" Washer	2