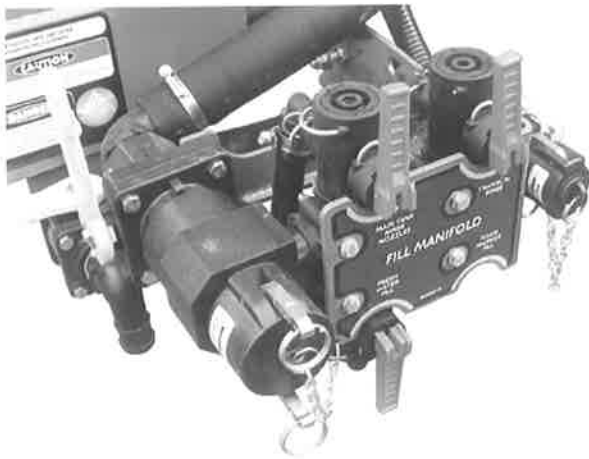


CHAPTER 5

LIQUID CONTROLS

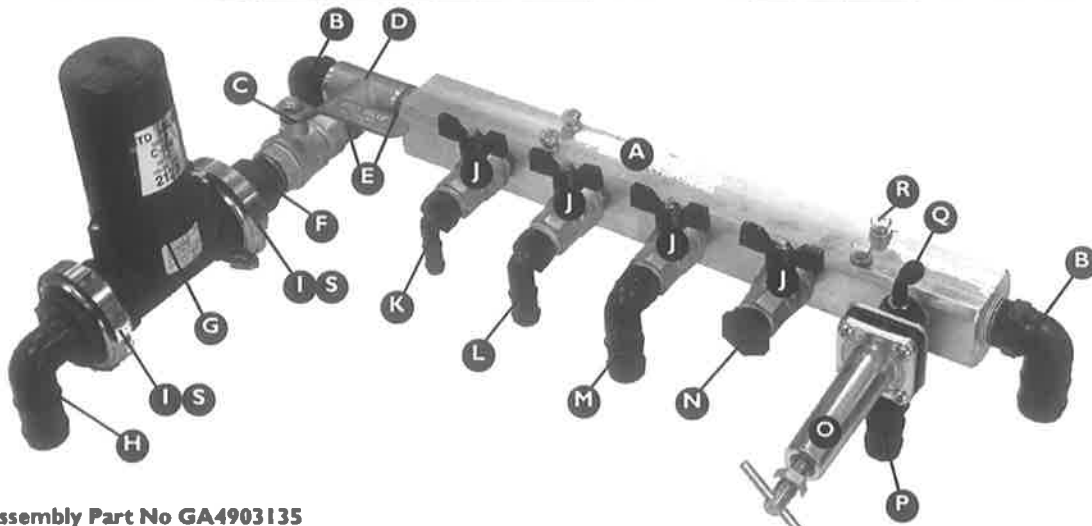


Pressure Manifold	5-2
Fill Manifold	5-3
Pre-Assembled Chem Probe	5-4
Pre-Assembled Foam Filter	5-4



Rev 00 27/0/09

PRESSURE MANIFOLD

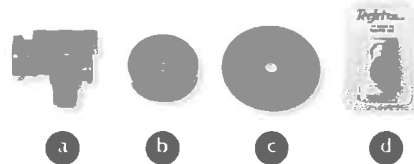


Assembly Part No GA4903135

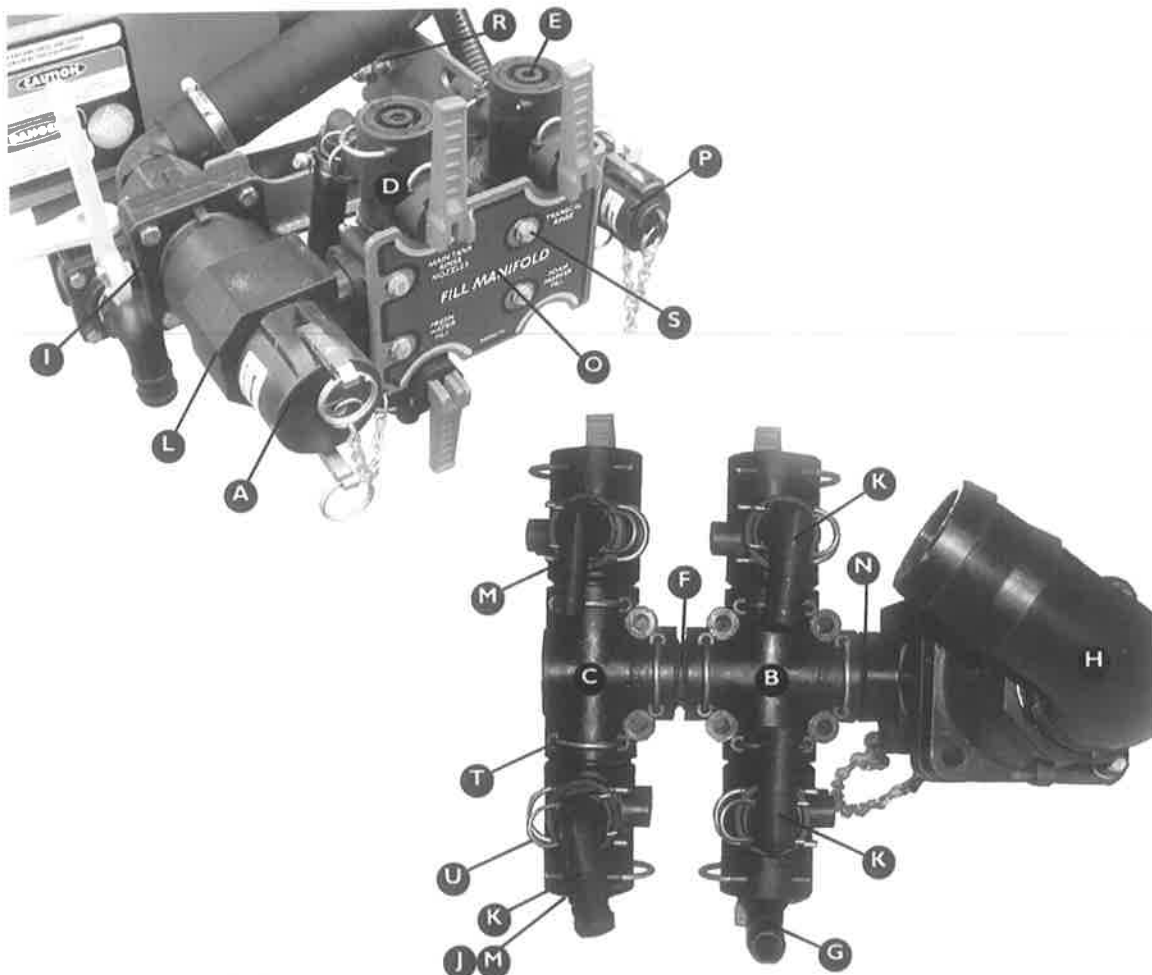
Item	Part No	Description	Quantity	Item	Part No	Description	Quantity
A	L069A	Manifold	1	K	HB075/050-90	3/4" x 1/2" Poly Elbow	1
B	HB100/125-90	1" x 1 1/4" Poly Elbow	2	L	HB075-90	3/4" Poly Elbow	1
C	GA5018319	25mm Ball Valve	1	M	HB075/100-90	3/4" x 1" Poly Elbow	1
D	GA5016543	1" Cast Tee	1	N	GA5002475	3/4" Plug	1
E	BF027-16	1" Brass Nipple	2	O	8460-3/4-300	Pressure Relief Valve *	1
F	M200PLG100	2 Std Flange with 1" Thread	1	P	HB075/100	3/4" x 1" Hose Barb	1
G	0630171894	1 1/2" Raven Control Valve	1	Q	GA5016233	6mm Swivel Elbow	1
H	M200125BRB90	2 Std Flange with 1 1/4" poly elbow	1	R-1	GA5004701	M8 x 20mm	4
I	FC200	200 Series Screw Clamp	2	R-2	GA5003643	8mm Washer	4
J	GA5018315	20mm Ball Valve	4	S	GA5009335	Flange Gasket	2

Pressure Relief Valve Replacement Parts

Item	Part No	Description
a	CP8361-3/4	Body
b	CP8364-NYB	Seat
c	CP8366-FA	Diaphragm
d	PKAB8460-KIT	Repair Kit



FILL MANIFOLD



Assembly Part No GA4903137

Item	Part No	Description	Quantity	Item	Part No	Description	Quantity
A	200CAP	2" Cam Lock Cap	1	M	GA5065750	AS24/15 Female Elbow	2
B	GA5065565	AS40 Cross Piece	1	N	GA5065600	AS40/1" Male Fitting	1
C	GA5065560	AS40 Tee Piece	1	O	GA4656485	Fill Manifold Mounting Bracket	1
D	GA5065545	Altek Flip Valve	4	P	GA4903082	Pre-Assembled Chem Probe*	1
E	GA5065680	AS40 Blind Cap	2	Q	GA4903139	Pre-Assembled Foam Filter**	1
F	GA5065735	AS40/AS40 Hosetail	1	R-1	GA5011231	M12 x 35mm Bolt	3
G	GA5065610	AS40/20 Plug in Elbow	1	R-2	GA5012461	M12 Nyloc Nut	3
H	HB200-90	2" Poly Elbow	1	R-3	GA5000577	12mm Washer	6
I	VSMT204FP	2" Ball Valve	1	S-1	GA5011495	M8 x 90mm Bolt	4
J	GA5065605	AS40/AS24 Male Coupler	1	S-2	GA5004917	M8 Nyloc Nut	4
K	GA5065675	AS24/20 Plug in Elbow	3	S-3	GA5003643	8mm Washer	8
L	GA4582295	2" Fill Cam Lock Fitting suit Prairie Special	1	T	GA5065690	Large Retainer Clip (AS40)	10
				U	GA5065695	Small Retainer Clip (AS24)	4

* Hidden from view at rear of manifold

** Refer to next page

Note: Quantities of some components may change depending on sprayer options

PREASSEMBLED CHEM PROBE

Assembly Part No GA4903082

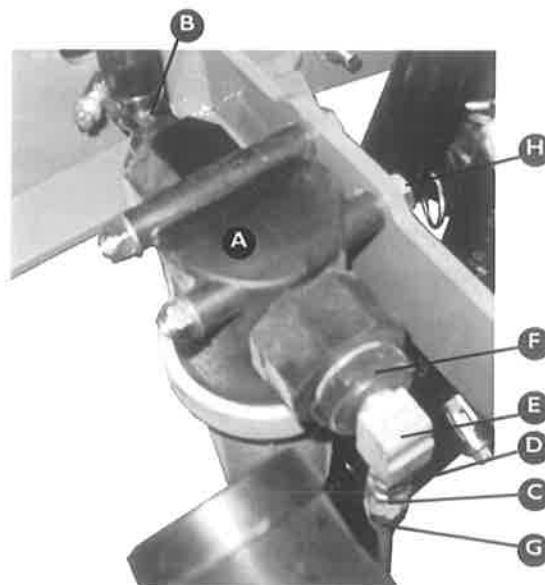
Item	Part No	Description	Quantity
A	UV100FP	1" Ball Valve	1
B	100B	Camlock with 1" Male Thread	1
C	100PL	1" Camlock Plug	1
D	HB100	1" Hose Barb	1
E-1	GA5006705	2 1/16" Exhaust Clamp	1
E-2	GA5004917	M8 Nyloc Nut	2
E-3	GA5004883	8mm Washer	2
F	GA5001491	Chain	300mm



PREASSEMBLED FOAM FILTER

Assembly Part No GA4903135

Item	Part No	Description	Quantity
A	AA126ML-3-80	3/4" Self Cleaning Filter with 80 Mesh Screen*	1
B	HB075/050-90	3/4" x 1/2" Poly Elbow	1
C	GA5018147	1/8" Check Valve	1
D	GA5013809	1/4" x 1/8" Reducing Nipple	1
E	GA5050780	1/4" Cast Elbow	1
F	RB075-025	3/4" x 1/4" Poly Reducing Bush	1
G	GA5050210	1/8" x 6mm Hydrostatic Fitting	1
H-1	GA5011495	M8 x 90mm Bolt	2
H-2	GA5004917	M8 Nyloc Nut	2
H-3	GA5003643	8mm Washer	4



* Refer to Chapter 19 for replacement screens