

CHAPTER 9

FOAM MARKER

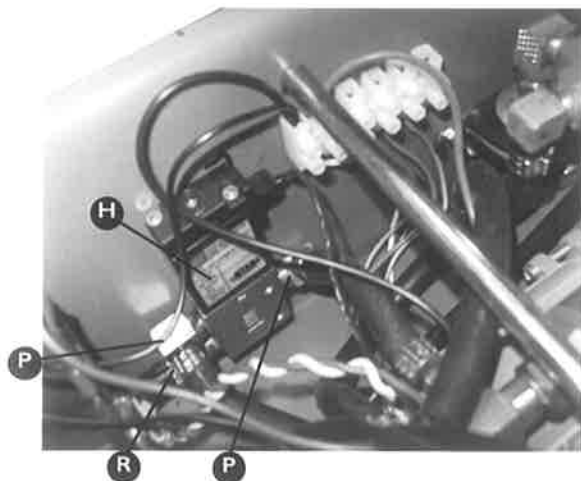
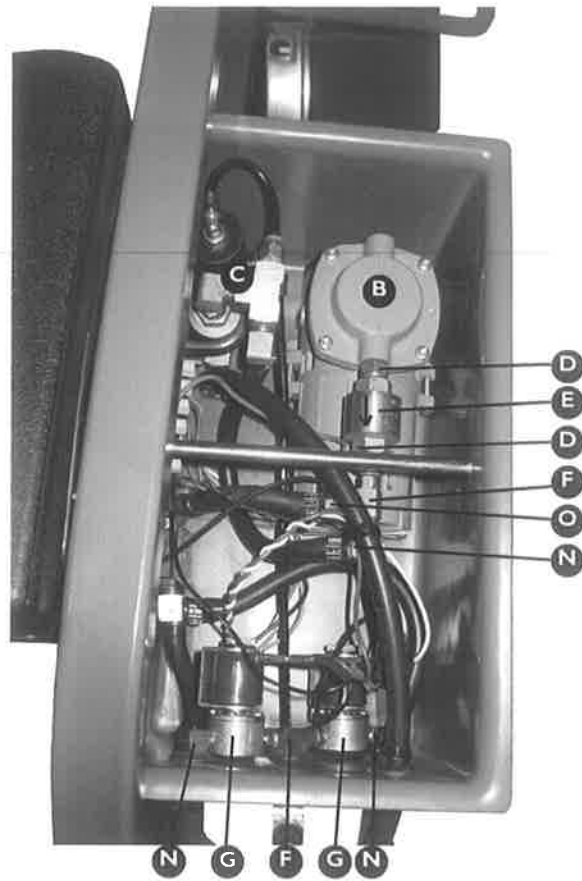


Foam Marker Components	9-2
Foam Marker Exhaust Valve	9-4
Foam Marker Compressor Parts . . .	9-5
Foam Concentrate Tank	9-5
Exacta Foam Marker Tank	9-6
Exacta Foam Marker Tank Mount . . .	9-6
Pre-Assembled Filters and Ball Valves	9-7

Rev 00 27/8/09

Note: Foam Marker plumbing schematic shown in
Chapter 16: Schematics

FOAM MARKER BOX COMPONENTS



Assembly Part No GA5018808

Item	Part No	Description	Quantity	Item	Part No	Description	Quantity
A	GA5066855	Foam Marker Box & Lid	1	J	GA5013809	1/4" x 1/8" Reducing Nipple	1
B	GA5018806	Air Compressor ^{#1}	1	K	GA5012199	29mm Neoprene Grommet	7
C	GA4912005	Foam Marker Exhaust Valve ^{#2}	1	L	GA5005259	1" Air Filter ^{#3}	1
D	GA5020690	1/8" x 3/8" Reducing Nipple	2	M	GA5017703	19x5mm Grommet	1
E	GA5020010	3/8" Check Valve	1	N	GA5066950	1/4" x 1/8" Brass Elbow	3
F	GA5016559	1/8" Female Brass Tee	2	O	GA5066945	1/4" x 1/8" Hose Barb	1
G	GA5018395	Liquid Solenoid	2	P	GA5048340	1/4" Brass Elbow	2
H	GA5002959	Air Solenoid	1	Q	GA5048300	1/4" Female Tee	1
I	GA5015643	Needle Valve	2	R	GA5020540	1/4" Brass Hose Barb	1

^{#1} Assembly breakdown shown on page 9-5

^{#2} Assembly breakdown shown on page 9-4

^{#3} Replacement Filter shown in Chapter 19 Filtration and Hose

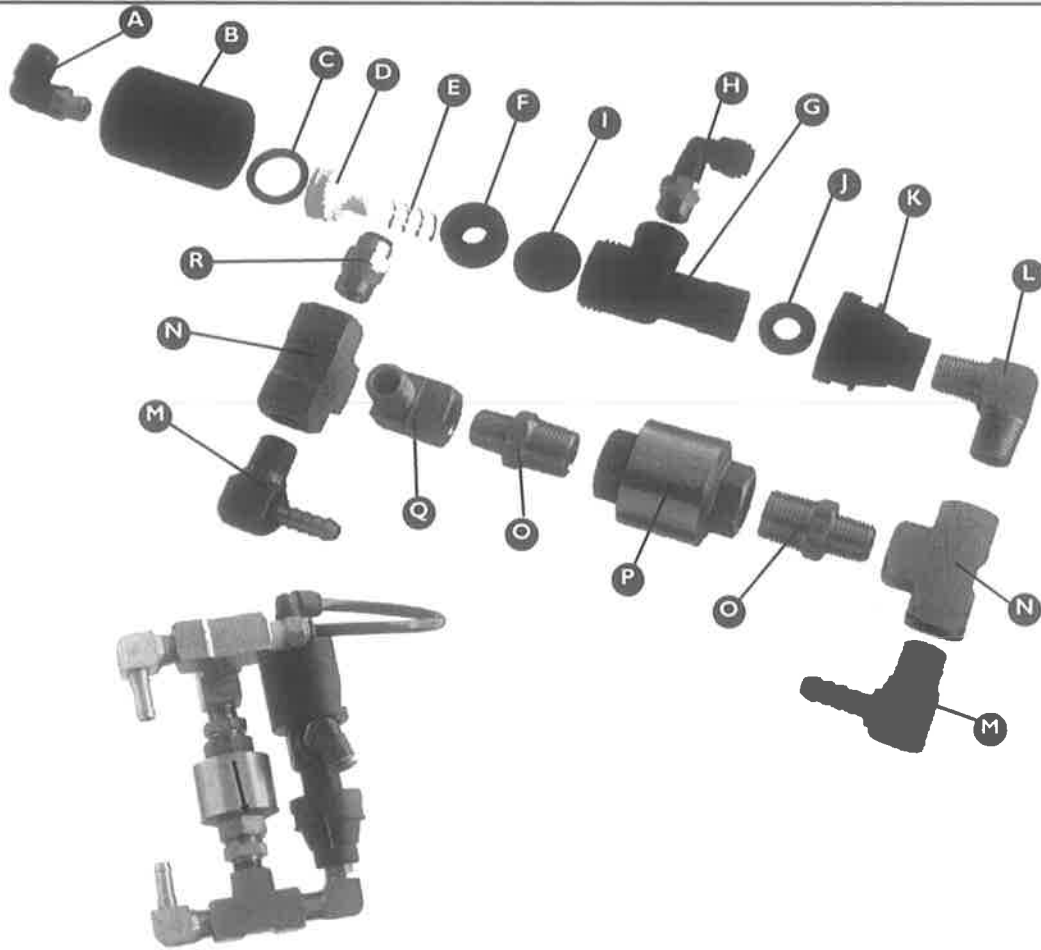
FOAM MARKER BOX COMPONENTS CONT.



Item	Part No	Description	Quantity
A	GA4572130	Compressor Box Spacer Rod	1
B-1	GA5003976	M5 x 20mm Panhead Set Screw	2
B-2	GA5003983	5mm Washer	2
C	F70254A	Top Retainer Plate	1
D-1	MACH0041	M8 x 210mm Bolt	2
D-2	GA5004917	M8 Nyloc Nut	2
D-3	GA5003651	8mm Washer	4
E	GA5016463	Foam Sealing Tape*	1.3m

* Not shown in photos

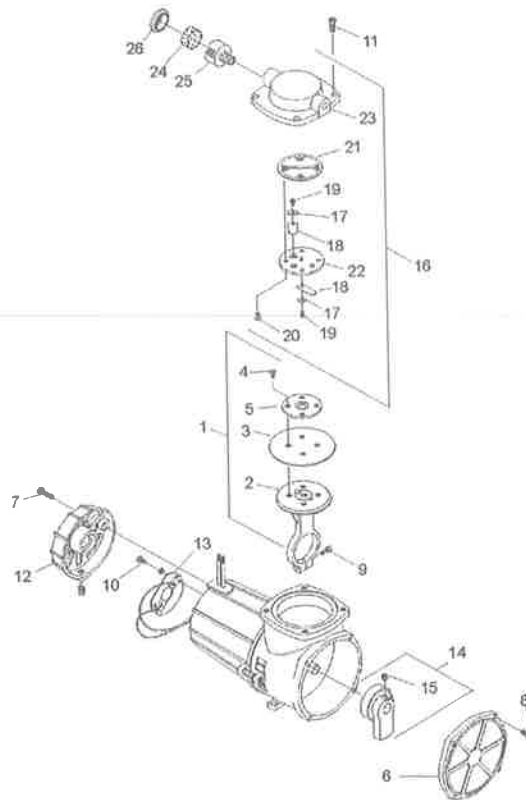
FOAM MARKER EXHAUST VALVE



Assembly Part No GA4912005

Item	Part No	Description	Quantity	Item	Part No	Description	Quantity
A	GA5045145	6mm x 1/8 BSPT Elbow	1	J	402200040	Cap Seal	1
B	GA4572000	Chemsaver Body	1	K	QJ4676-1/4-NYR	Adapter	1
C	CP50676-VI	Cup Seal	1	L	GA5008343	1/4" Elbow	1
D	GA4572005	Chemsaver Piston	1	M	GA5048340	1/4" Barbed Elbow	2
E	GA5045090	Spring 14.2 x 14	1	N	GA5048300	1/4" Brass Tee	2
F	GA4572010	Chemsaver Washer	1	O	GA5045085	1/4" x 3/8" Nipple	2
G	005860036	Diapham Nozzle Body	1	P	GA5020010	3/8" Check Valve	1
H	GA5016233	6mm x 1/4 BSP Swivel Elbow	1	Q	GA5048305	1/4" Extruded Elbow	1
I	QJ8355-1/4-NYR	Diapham	1	R	GA5045140	6mm x 1/4" BSPT Adapter	1

FOAM MARKER COMPRESSOR PARTS

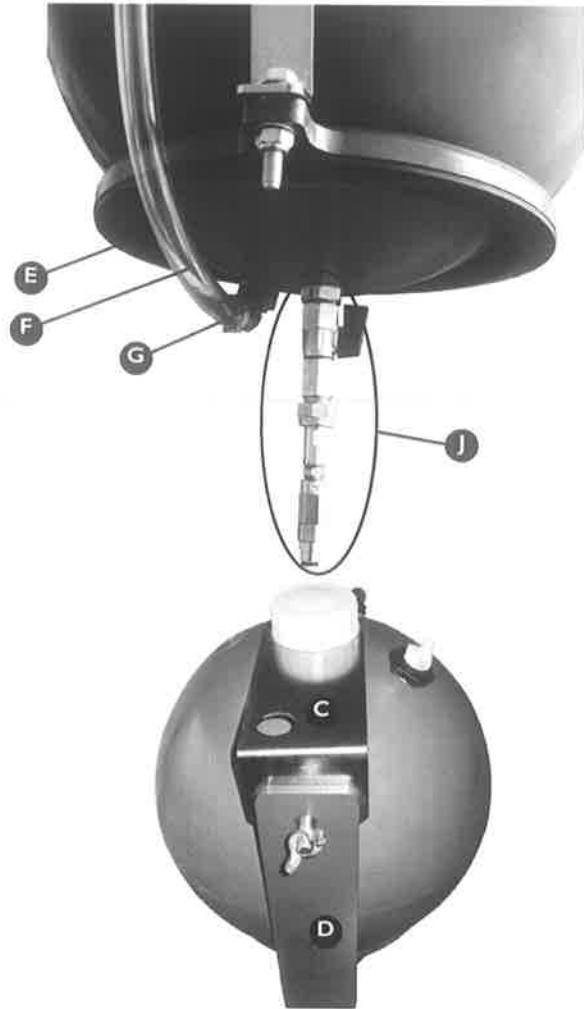
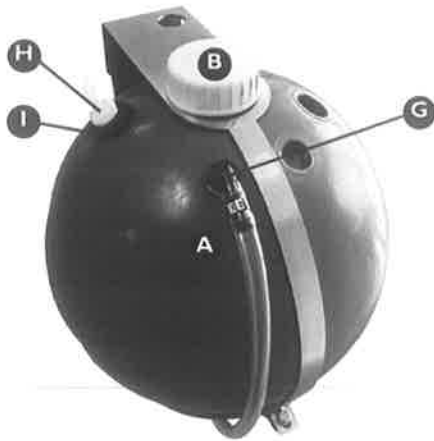


Assembly Part No GA5018806

Item	Part No	Description	Quantity	Item	Part No	Description	Quantity
1	607180	Connecting Rod Assembly	1	15	625244	Set Screw - Eccentric	1
2	607139	Connecting Rod	1	16	660873-504	Head & Valve Plate Assembly	1
3	608148	Diaphragm	1	17	617045	Valve Keeper	2
4	625540	Screw - Hold Down Plate	4	18	621102	Valve Flapper - Intake & Exhaust	2
5	654649	Hold Down Plate	1	19	625160	Screw - Flapper	2
6	614608	Front Cover	1	20	625606	Screw - Valve Plate	4
7	614608	Screw - Motor End Cap	2	21	633439	Gasket - Head	1
8	625660	Screw - Front Cover	4	22	654129	Valve Plate	1
9	625114	Conn Rod. Screw	1	23	660131-504	Head	1
10	625476	Screw - Brush Card	2	24	641034	Filter Foam	1
11	625444	Screw - Head	4	25	660763	Filter Body	1
12	620352	Motor End Cap Assembly	1	26	660767	Filter Body Cap	1
13	627093	Brush Card Assembly	1				
14	645373	.18 Stroke Eccentric & Bearing Assyl					
	667611	.20 Stroke Eccentric & Bearing Assyl					

Note: Not all parts are stocked in australia. Some parts may not be available.

FOAM CONCENTRATE TANK

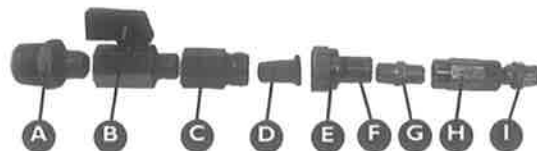


Item	Part No	Description	Quantity
A	GA4901038	Foam Concentrate Tank, 25L	1
B-1	GA5009157	Cap suit exacta tank	1
B-2	GA5009187	O-ring suit cap	1
C	F70622A	Inject bottle Strap	1
D	F70609A	Bottle Mount	1
E	GA5010085	Hollow Retangular Rubber 691mm	
F	HOS12SIGHT	12mm sight tube	
G	HB050-90	1/2" Poly Elbow	2
H	EL1214	1/2" x 1/4" Elbow	1
I	RB100050	1" x 1/2" Reducer Bush	1
J	GA4903077	Pre-assembled Filter and ball valve for direct injection foam	1

PRE-ASSEMBLED FILTER & BALL VALVES

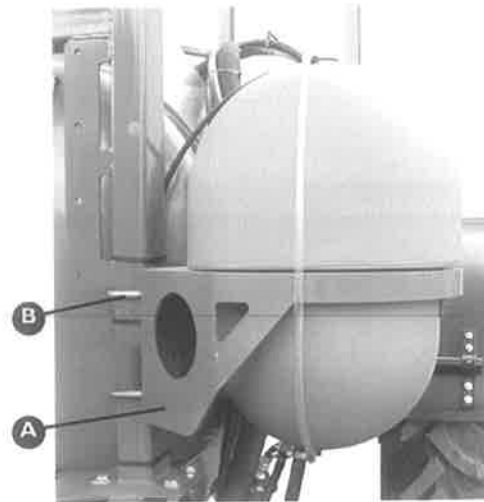
Pre-Assembled Filter and Ball Valve to suit Direct Injection Foam Marker Tanks (GA4903077)

Item	Part No	Description	Quantity
A	GA5012259	Reducing Nipple	1
B	GA5017405	Ball Valve	1
C	CPI321	Brass Nozzle Body	1
D	8079-PP-200	200 Mesh Strainer (Orange)	1
E	CPI325	Brass Cap	1
F	CP4928	Brass Adapter	1
G	GA5066935	1/8" Brass Nipple	1
H	GA5018147	1/8" Check Valve	1
I	GA5050210	6mm x 1/8" Fitting	1

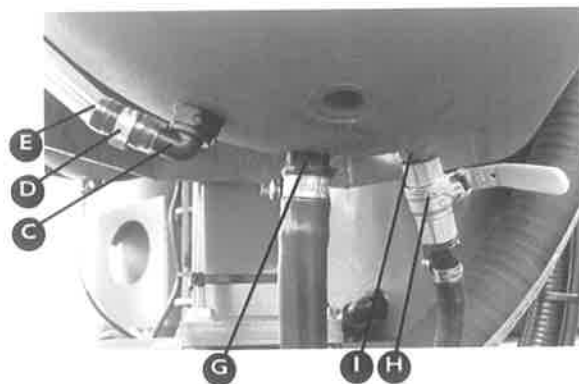
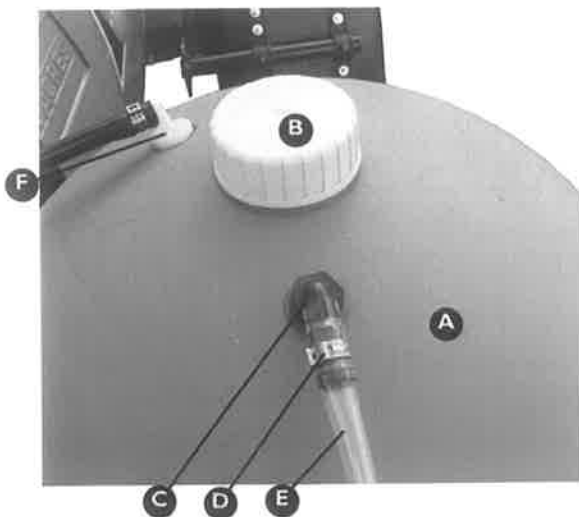


EXACTA FOAM MARKER TANK MOUNT

Item	Part No	Description	Quantity
A	GA4654355	Foam Marker Tank Frame	1
B-1	GA5011277	M16 x 127mm x 110mm U-Bolt	2
B-2	GA5001029	M16 Nyloc Nut	4
B-3	GA5001043	16mm Washer	4



EXACTA FOAM MARKER TANK



Assembly Part No GA4903081

Item	Part No	Description	Quantity	Item	Part No	Description	Quantity
A	GA5018487	100L Foam Tank	1	E	HOS12SIGHT	12mm Sight Tube	1000mm
B-1	GA5009157	Cap suit exacta tank	1	F	EL1214	1/2" x 1/4" Elbow	1
B-2	GA5009187	O-Ring suit Cap	1	G	HB050/075	1/2" x 3/4" Hose Barb	1
C	HB050-90	1/2" Poly Elbow	2	H	GA5018309	12mm Ball Valve	1
D	GA5007225	12/8 Cobra Clamp	2	I	GA5018310	1/2" Brass Nipple	1

FOAM MARKER