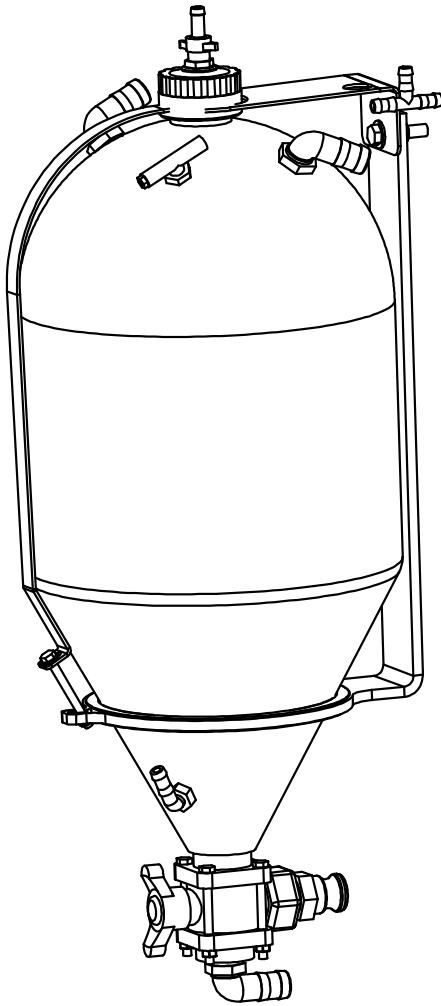


CHAPTER 10

TRANSCAL

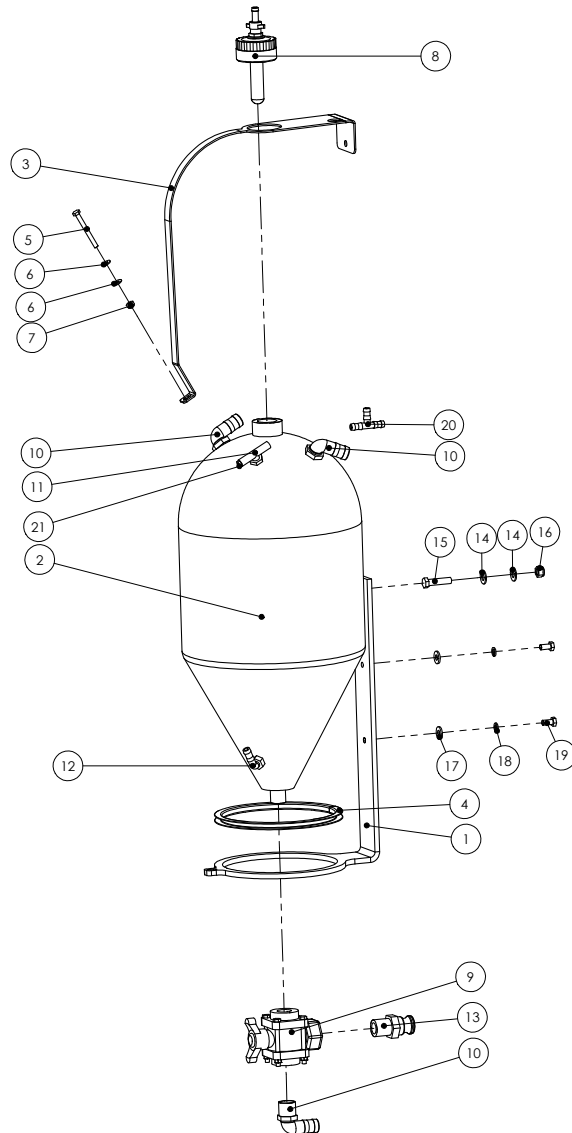
Transcal Tank 10-2
 Transcal Cap Assembly 10-3



Complete Aftermarket Kit Available Part No GA4900402-PS-P

Rev 00 15/3/10

TRANSCAL TANK

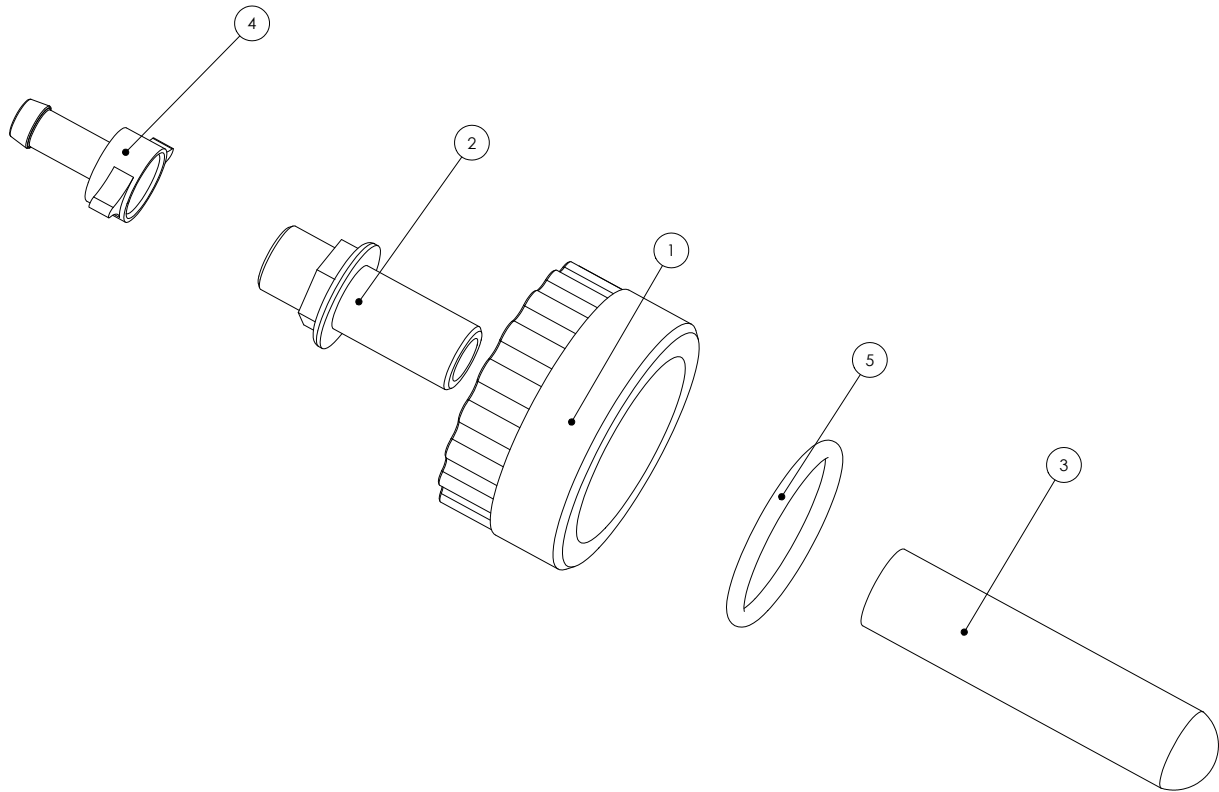


Assembly Part No: GA4903108

Item	Part No	Description	Quantity	Item	Part No	Description	Quantity
1	F70608A	Transcal Mounting Bracket	1	12	HB050-90	1/2" Poly Elbow	1
2	GA4901047	45L Transcal Tank	1	13	I00F	1" Male Adapter, Male Thread	1
3	F70623A	Bottle Strap	1	14	GA5000577	12mm Washer	2
4		Pinch Weld Rubber	m	15	GA5000305	M12 x 50mm Bolt	1
5	GA5004737	M8 x 70mm Bolt	1	16	GA5012461	M12 Nyloc Nut	1
6	GA5004883	8mm Washer	2	17	GA5000117	10mm Washer	2
7	GA5004917	M8 Nyloc Nut	1	18	GA5000137	10mm Spring Washer	2
8	GA4903050	Pre-Assembled Transcal Cap	1	19	GA5006113	M10 x 20mm Bolt	2
9	V100BL	1" 3 Way Ball Valve	1	20	T12	1/2" Tee	1
10	HB100-90	1" Poly Elbow	3	21	GA5020695	1/8" Brass Hose Barb*	1
11	T12T	1/2" Tee with Thread	1				

* Note: Barb removed from item to act as restrictor

TRANSCAL CAP ASSEMBLY



Assembly Part No: GA4903050

Item	Part No	Description	Quantity
1	L055A	Transcal Cap	1
2	2502021	1/2" Nipple	1
3	510110	Rinsing Nozzle	1
4	GA5012375	1/2" Brass Tail with Nut	1
5	GA5009187	O-Ring	1

