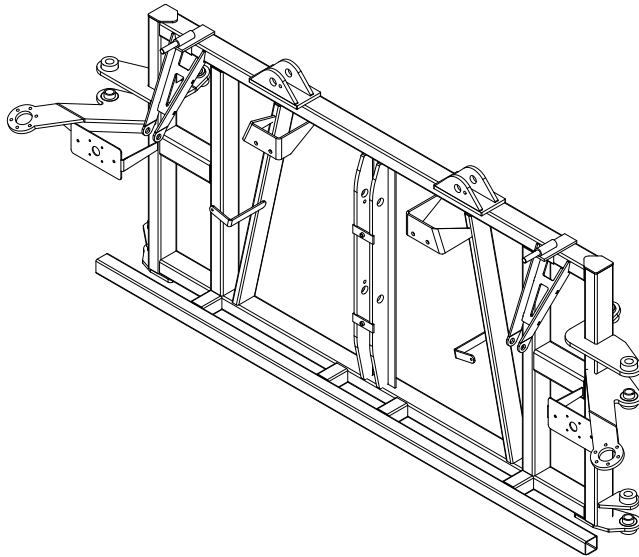


CHAPTER 13

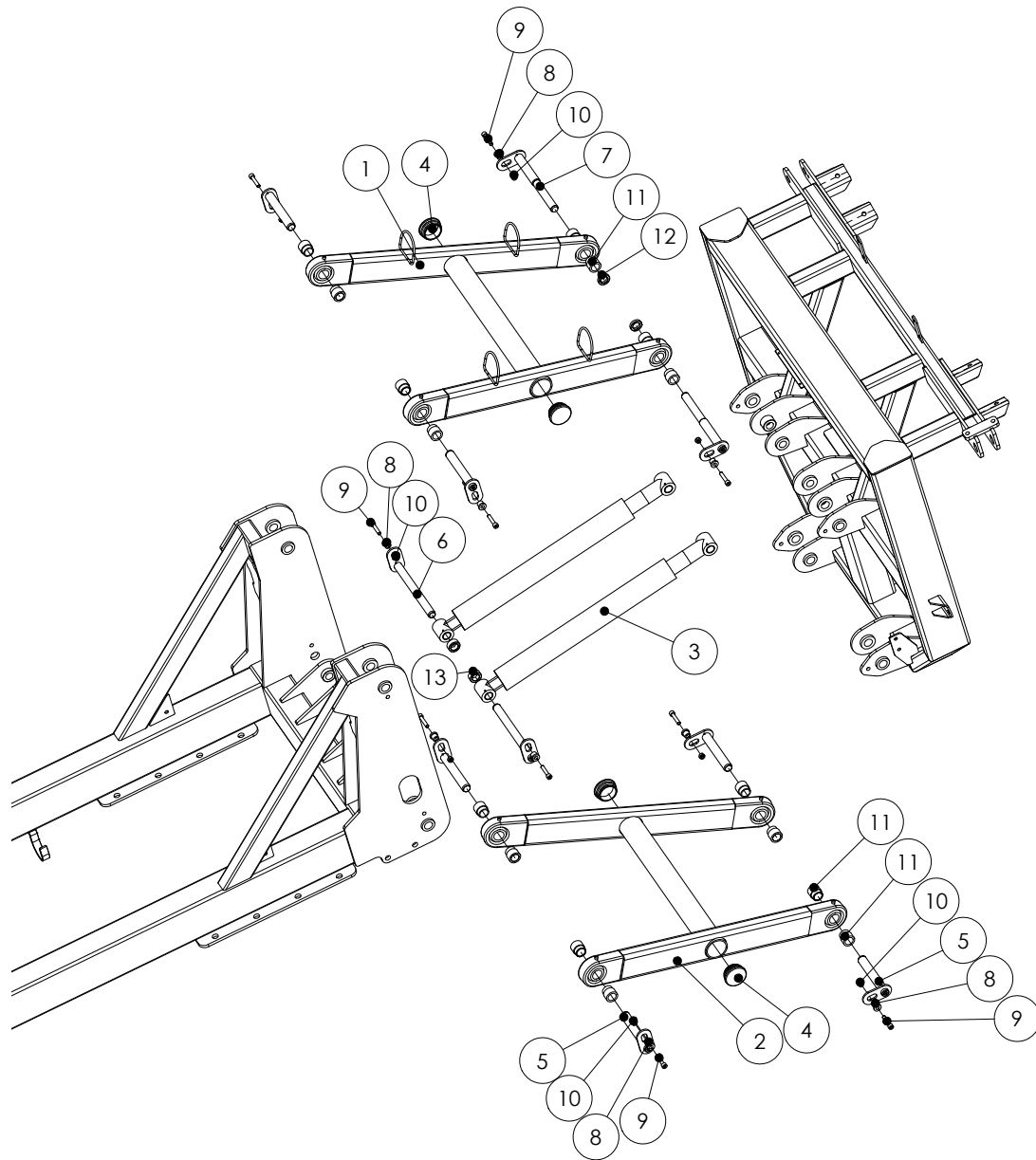
BOOM CENTRE AND PARALIFT REAR



Paralift Arms & Mounting Hardware . . .	
.....	13-2
Boom Height Limit Switch	13-3
Hydraulic Accumulators	13-4
Accumulator Manifold	13-4
Paralift Rear.	13-5
Centre Section without Tilt	13-6
Centre Section with Tilt	13-7
Tilt Arms & Accessories	13-8
Delta Links	13-9
Centre Section Dampers & Springs	
.....	13-10
Oversize Sign	13-11
Boom Pivot Pins	13-12
Boom Cable Adjusters	13-13
Boom Valve Assemblies	13-14
Boom Valve Components	13-15

Rev 00 15/3/10

PARALIFT ARMS & MOUNTING HARDWARE



Item	Part No	Description	Quantity
1	GA4657850	Top Paralift Arm	1
2	GA4657855	Bottom Paralift Arm	1
3	GA5070075	Hydraulic Cylinder	2
4	GA5050355	Plastic Tube Insert	4
5	GA5066655	Short Paralift Pin	6
6	GA5066645	Long Cylinder Only Pin*	2
7	GA5066675	Long Cylinder & Arm Pin*	2

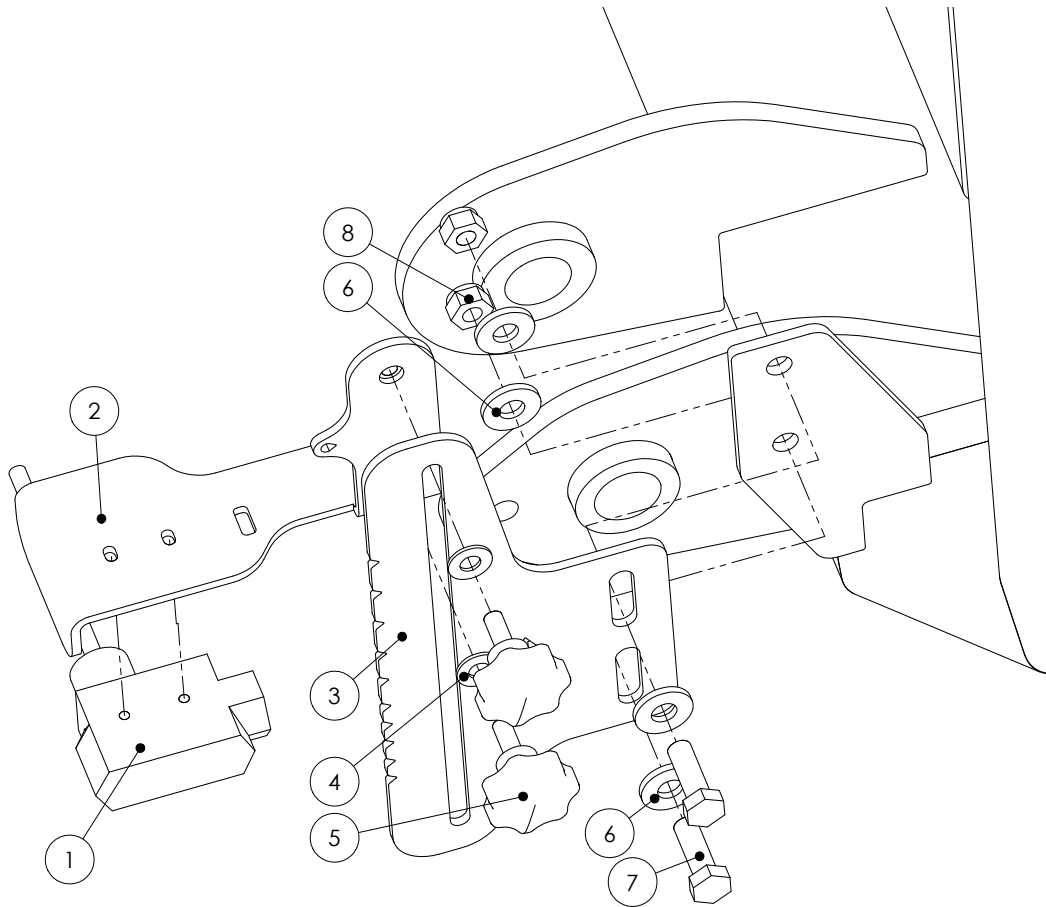
Item	Part No	Description	Quantity
8	MACH0152	Bolt Spacer Bush*	10
9	GA5051470	M12 x 50mm Cap Screw*	10
10	GA5012461	M12 Nyloc Nut*	10
11	MACH0134	Paralift Arm Spacer Bush*	16
12	GA4572135	Narrow Cylinder Bush*	2
13	GA4562190	Wide Cylinder Bush*	2

* A complete pin and bush kit is available containing these parts, Kit Part No GA5066670

Note: Grease Nipples also used on some pivots Part No GA5050450

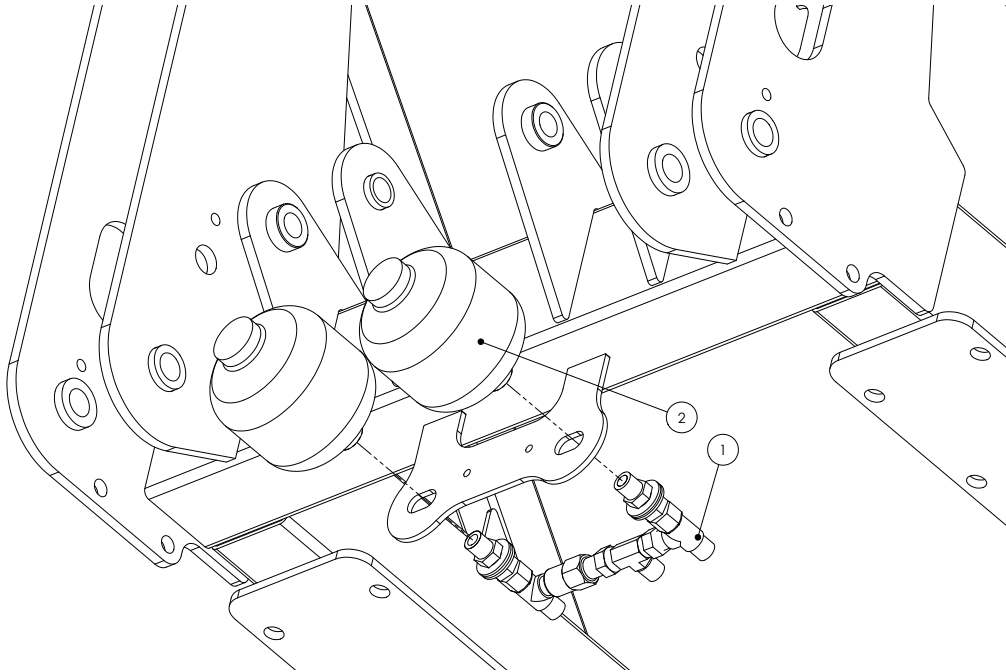
Pin Head Covers also available Part No GA5067885

BOOM HEIGHT LIMIT SWITCH



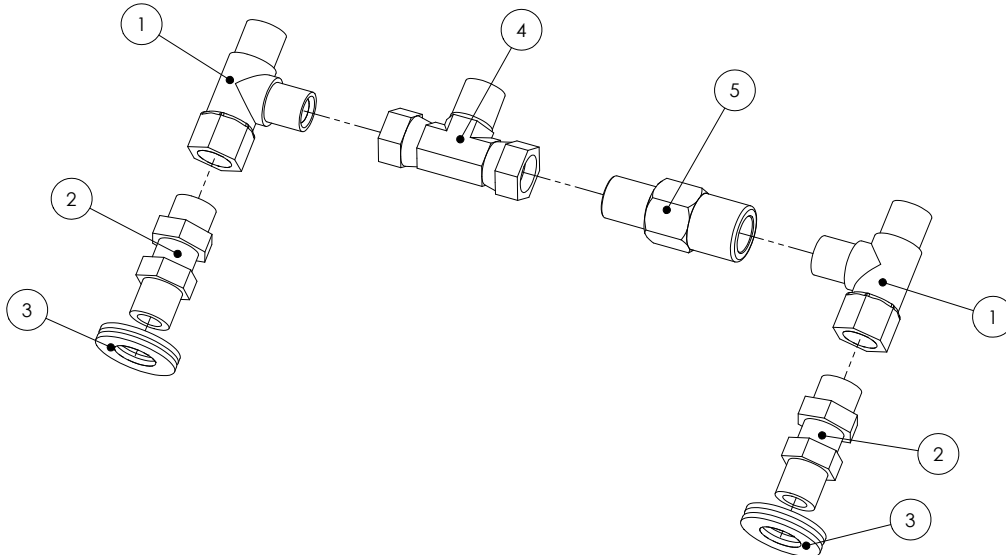
Item	Part No	Description	Quantity	Item	Part No	Description	Quantity
1	GA5012129	Limit Switch	1	5	GA5067080	M8 x 20mm Plastic Knob	2
2	GA4654161	Adjustable Bracket	1	6	GA5000139	10mm Washer	4
3	GA4522290	Chassis Bracket	1	7	GA5065455	M10 x 30mm Bolt	2
4	GA5004913	8mm Washer	2	8	GA5000141	M10 Nyloc Nut	2

HYDRAULIC ACCUMULATORS



Item	Part No	Description	Quantity
1	GA4903058	Accumulator Manifold	1
2	GA5007790	Accumulator (27 BAR)	2

ACCUMULATOR MANIFOLD

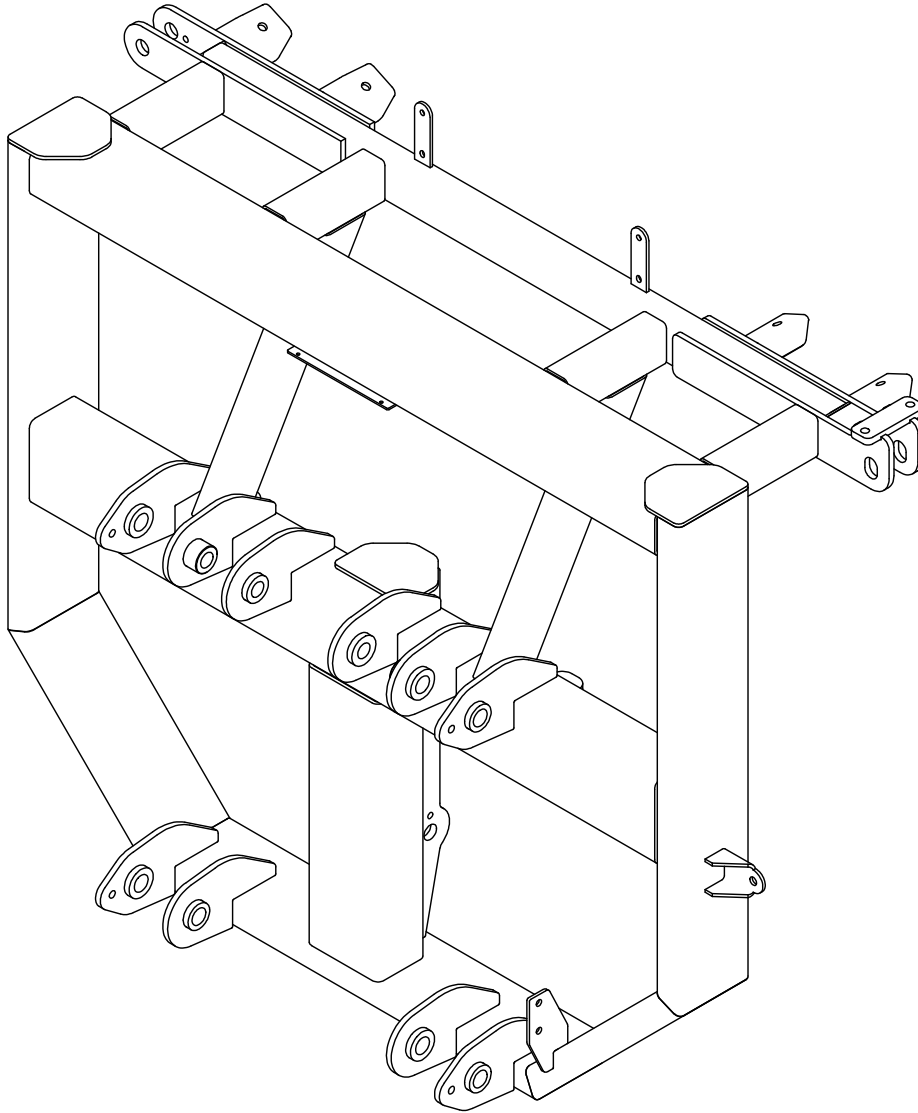


Assembly Part No: GA4903058

Item	Part No	Description	Quantity
1	S167-080808	Hydraulic Tee	2
2	S44-0808	Hydraulic Nipple	2
3	GA5001045	3/4" Washer	4

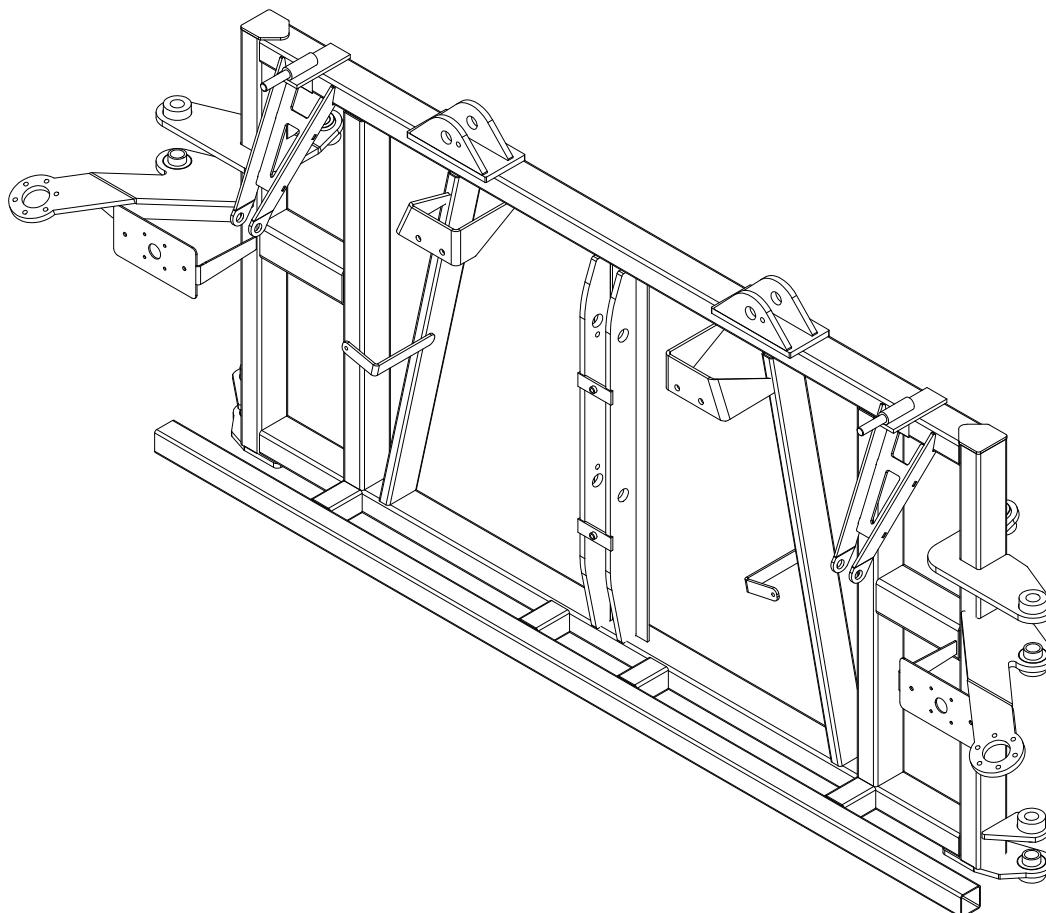
Item	Part No	Description	Quantity
4	S83-3	Hydraulic Tee	1
5	GA4572110	Hydraulic Fitting	1

PARALIFT REAR



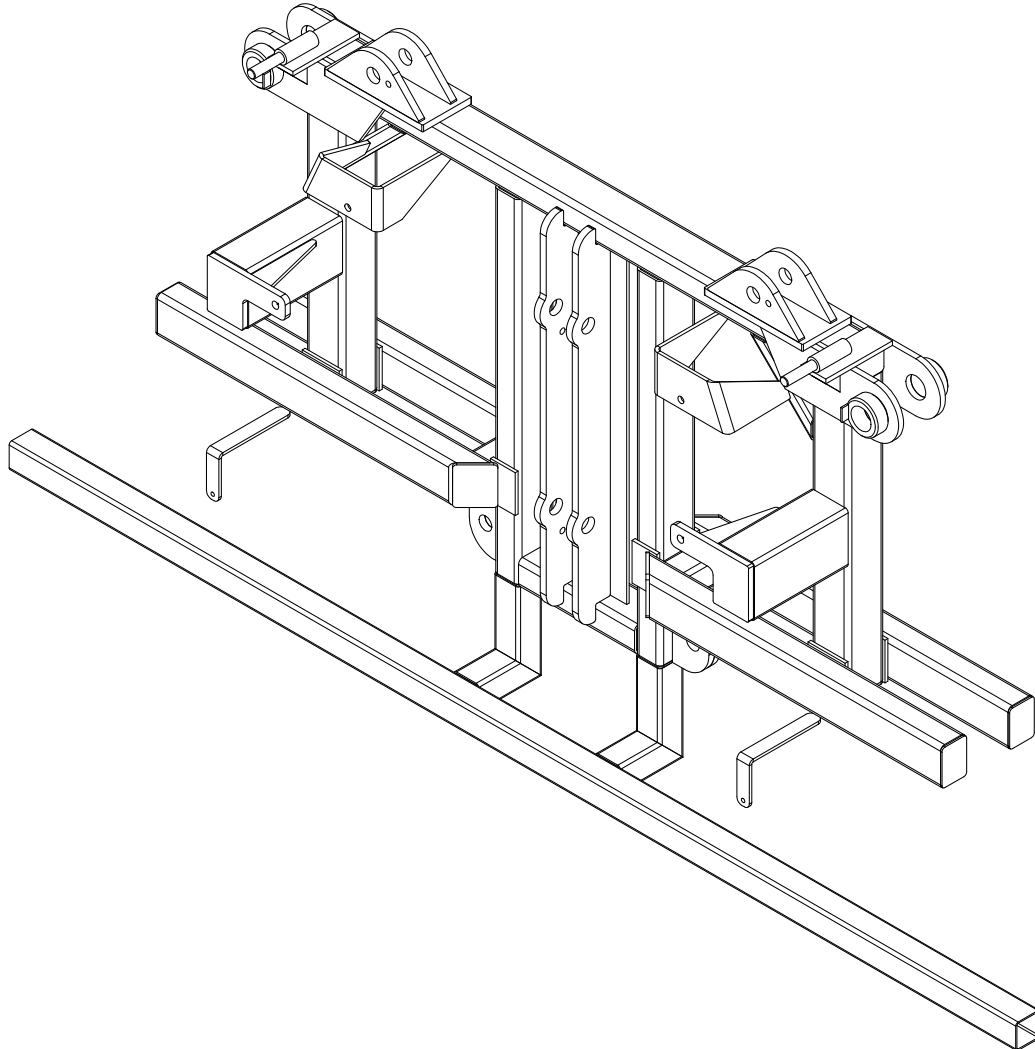
Part No	Description	Quantity
GA4654121	Delta Boom Paralift Rear	1

CENTRE SECTION WITHOUT TILTS



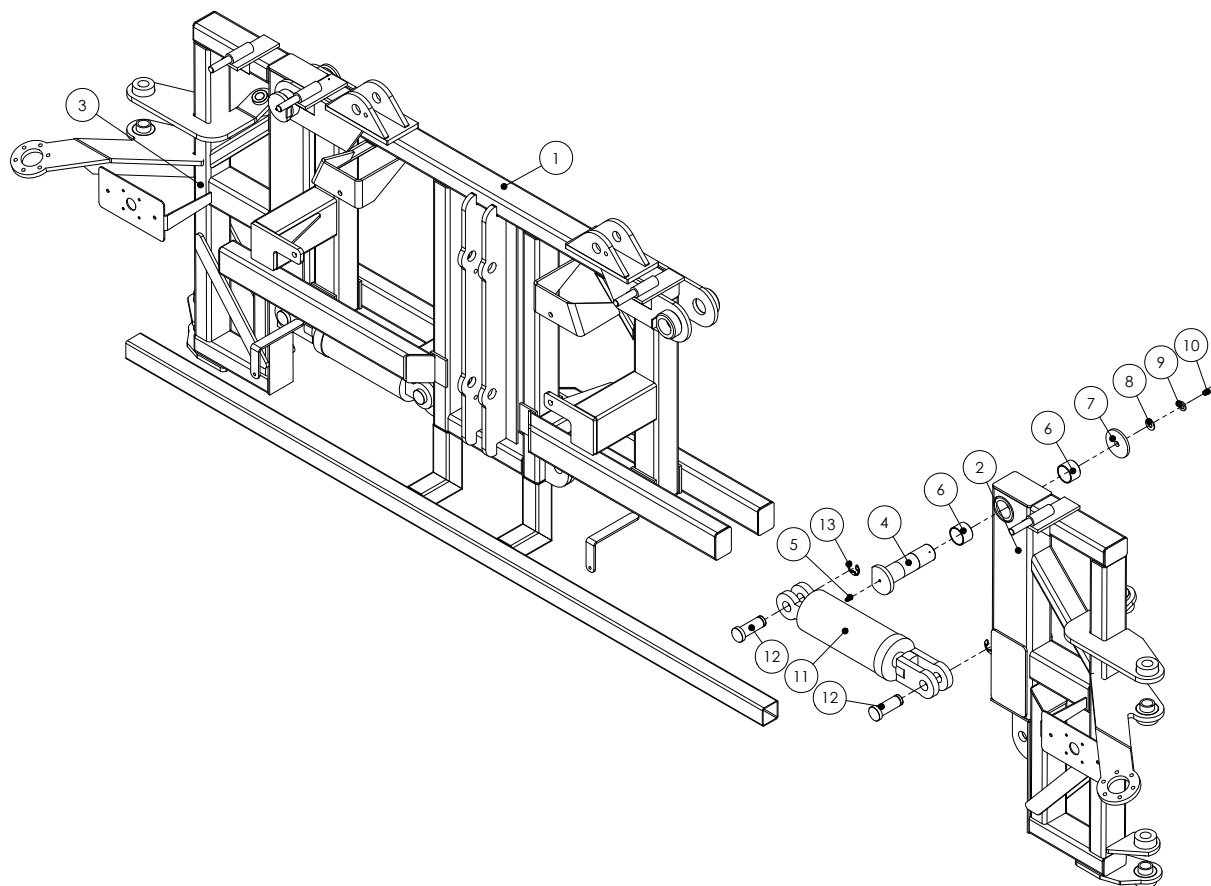
Part No	Description	Quantity
GA4653270	Centre Section without Tilts	1

CENTRE SECTION WITH TILTS



Part No	Description	Quantity
GA4653275	Centre Section with Tilts	1

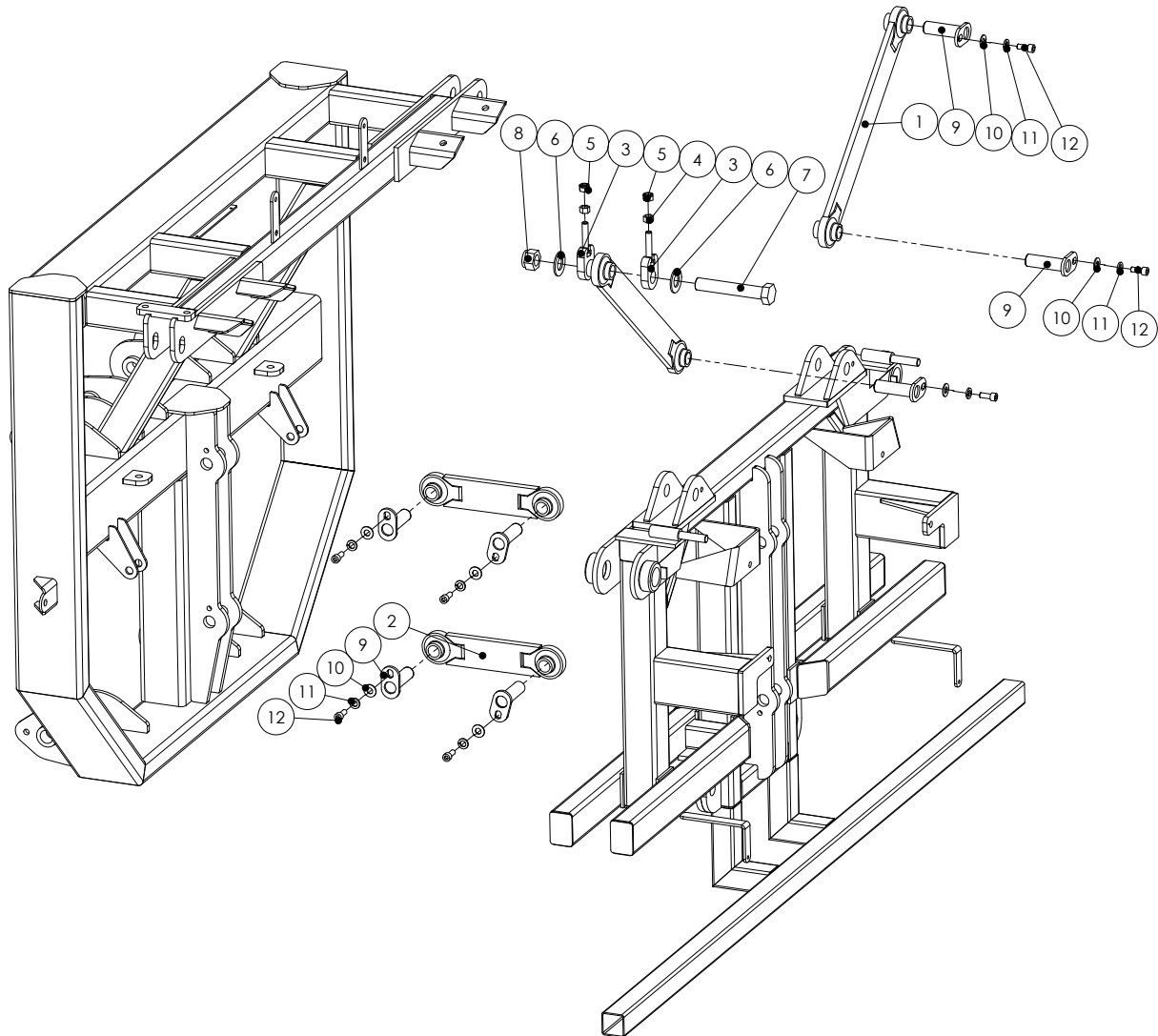
TILT ARMS & ACCESSORIES



Item	Part No	Description	Quantity
1	GA4653270	Centre Section with Tilts	1
2	GA4653290	Right Tilt Arm	1
3	GA4653295	Left Tilt Arm	1
4	MACH0115	Tilt Arm Pin	2
5	GA5012203	Grease Nipple	2
6	GA5009473	Glacier Bush (40ID x 30)	4
7	F70111A	Tilt Pin Washer	2

Item	Part No	Description	Quantity
8	GA5000577	12mm Washer	2
9	GA5000575	12mm Spring Washer	2
10	GA5000307	M12 x 30mm Cap Screw	2
11	GA5018551	Tilt Cylinder (3 1/2" x 5")	2
12	L054A	Tilt Cylinder Pin	4
13	GA5001223	19mm E-Type Clip	4

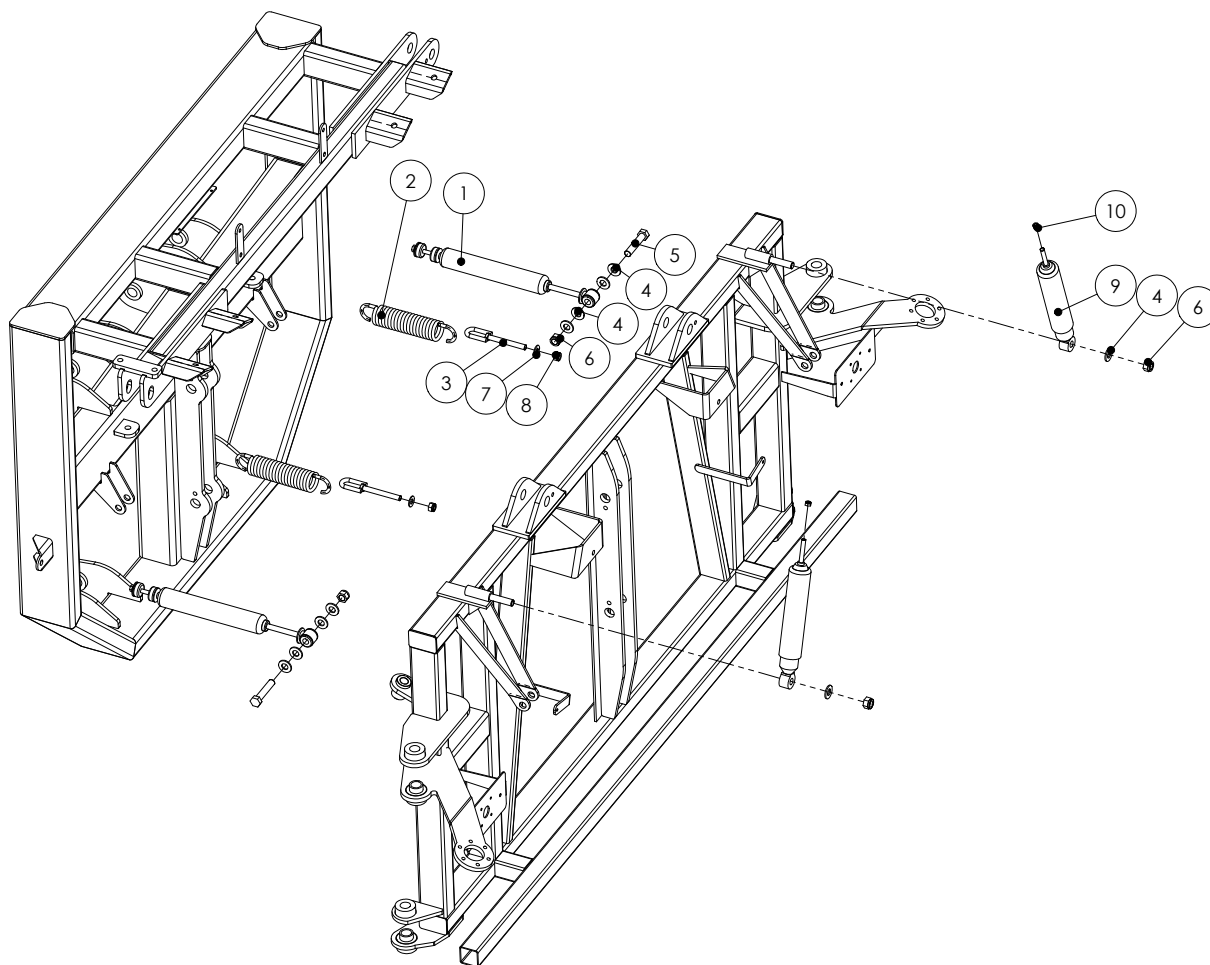
DELTA LINKS



Item	Part No	Description	Quantity
1	GA4656240	Long Delta Link	2
2	GA5067855	Short Delta Link	2
3	GA4656260	Delta Link Adjuster	2
4	GA5000559	M12 Nut	2
5	GA5012461	M12 Nyloc Nut	2
6	GA5017659	1" Washer	2

Item	Part No	Description	Quantity
7	GA4683145	1" x 6" UNC Bolt	1
8	GA5012439	1" UNC Nyloc Nut	1
9	Pin-1-87	Delta Link Pin	7
10	GA5000577	12mm Washer	7
11	GA5000575	12mm Spring Washer	7
12	GA5000297	M12 x 25mm Cap Screw	7

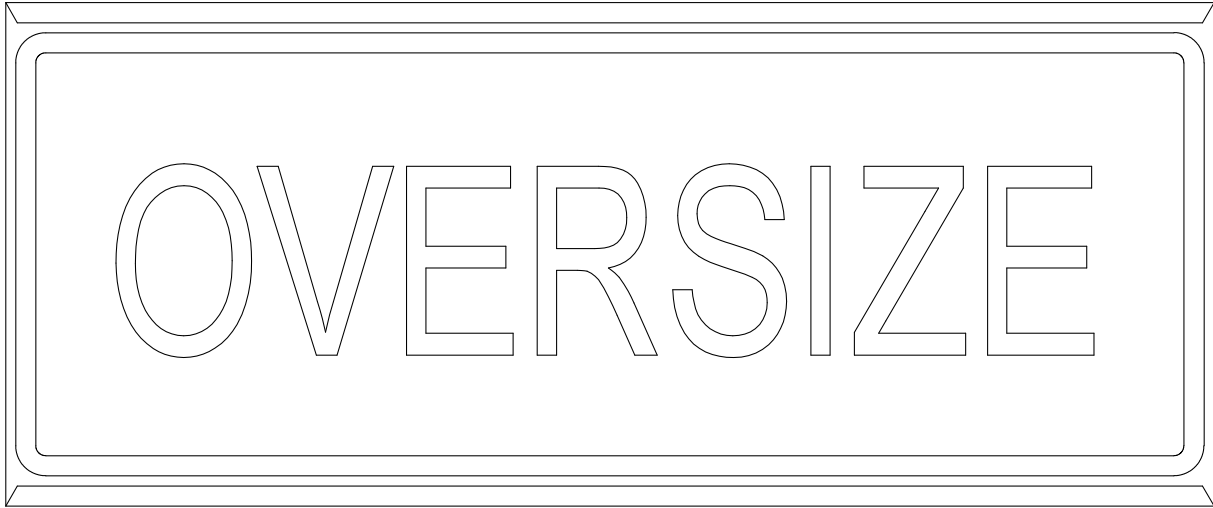
CENTRE SECTION DAMPER & SPRINGS



Item	Part No	Description	Quantity	Item	Part No	Description	Quantity
1	GA5015899	Yaw Shock Absorber	2	6	GA5001029	M16 Nyloc Nut	6
2	GA5016605	Yaw Spring	4	7	GA5000577	12mm Washer	2
3	GA5008545	M12 x 150mm Eye Bolt	4	8	GA5012461	M12 Nyloc Nut	2
4	GA5001043	16mm Washer	12	9	GA5015145	Damper	2
5	GA5011307	M16 x 80mm Bolt	2	10	GA5004917	M8 Nyloc Nut	2

Note: 2 Yaw Springs fitted per both sides, only single spring shown in diagram

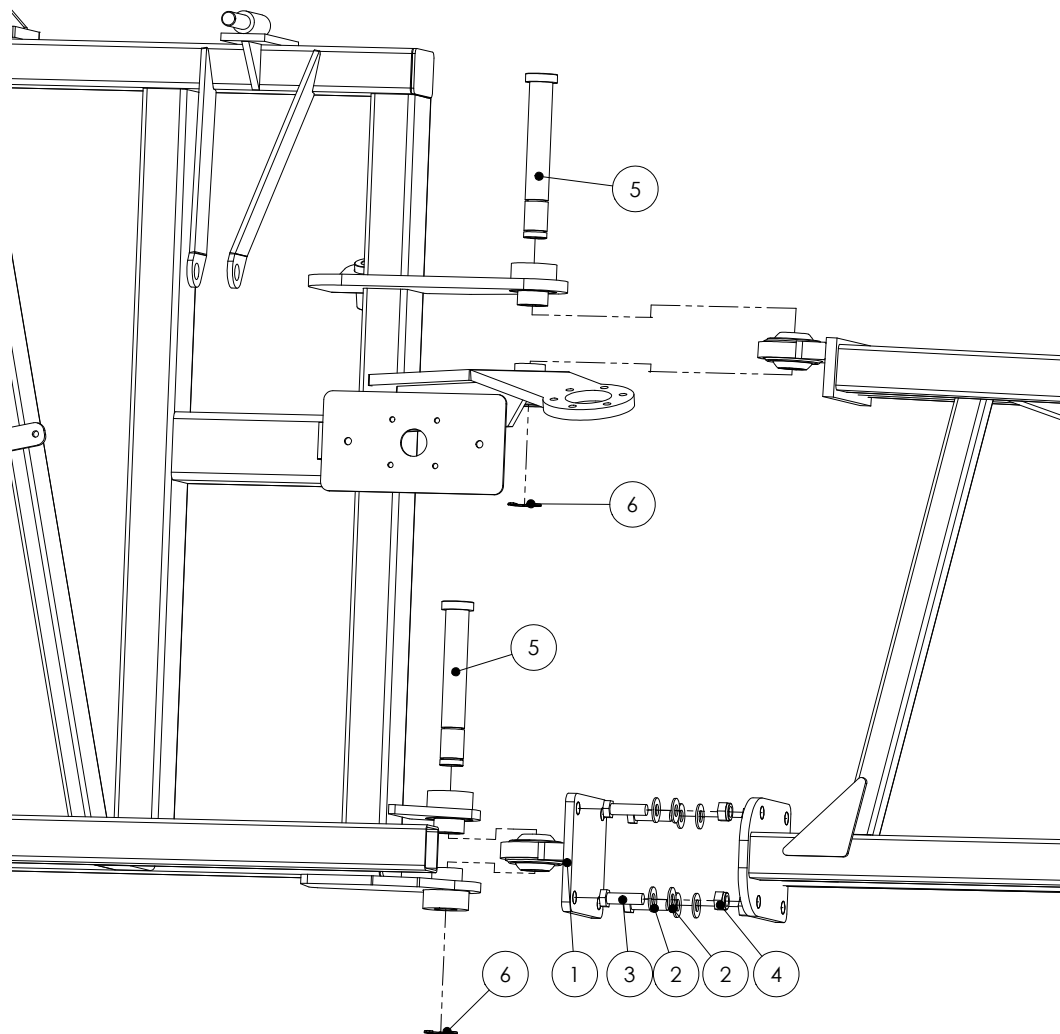
OVERSIZE SIGN



Part No	Description	Quantity
GA5009613	Oversize Sign	1

Note: Holes to be drilled to suit

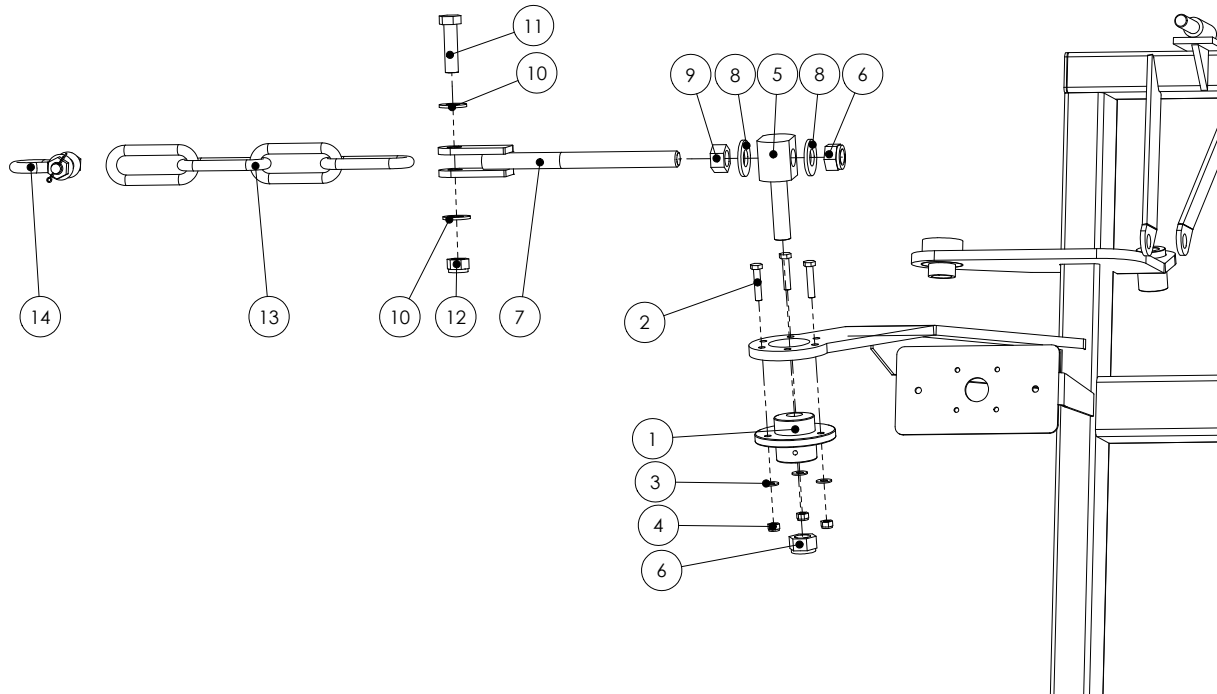
BOOM PIVOT PINS



Item	Part No	Description	Quantity
1	GA4656195	Bolt-on Rose End	2
2	GA5000577	12mm Washer	8
3	GA5000319	M12 x 40mm Bolt	4
4	GA5012461	M12 Nyloc Nut	4
5	L002A	Pivot Pin	2
6	GA5001223	19mm E-Clip	2

Note: Shim plate available for Bolt-on Rose End, 1mm - GA4535285
 3mm - GA4535355
 5mm - GA4535360

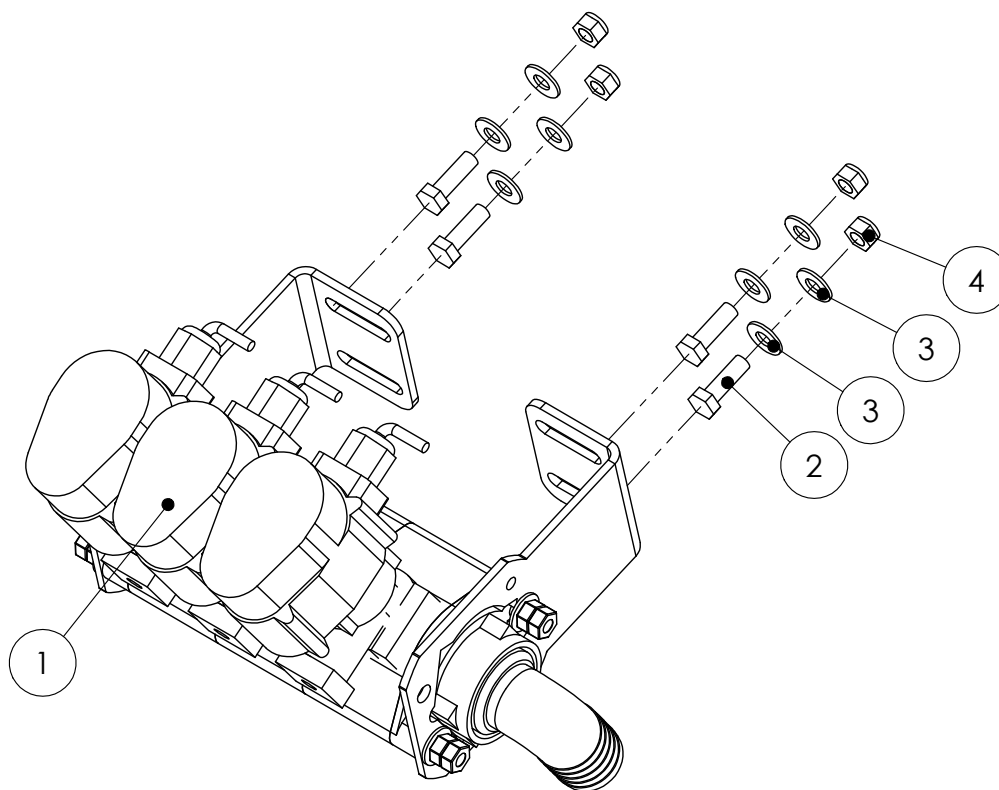
BOOM CABLE ADJUSTERS



Item	Part No	Description	Quantity
1	MACH0029	Eccentric Bush	2
2	GA5048655	M8 x 40mm Bolt	6
3	GA5004913	8mm Washer	6
4	GA5004917	M8 Nyloc Nut	6
5	L006A	Boom Cable Swivel	2
6	GA5048125	M20 x 2.5 Nyloc Nut	4
7	GA5020320	Threaded Cable Adjuster	2

Item	Part No	Description	Quantity
8	GA5001741	20mm Washer	4
9	GA5001709	M20 x 2.5 Nut	2
10	GA5001043	16mm Washer	4
11	GA5000941	M16 x 60mm Bolt	2
12	GA5001029	M16 Nyloc Nut	2
13	GA5065020	Chain	8 Links
14	GA5000669	Bow Shackle	2

BOOM SECTION VALVE ASSEMBLIES

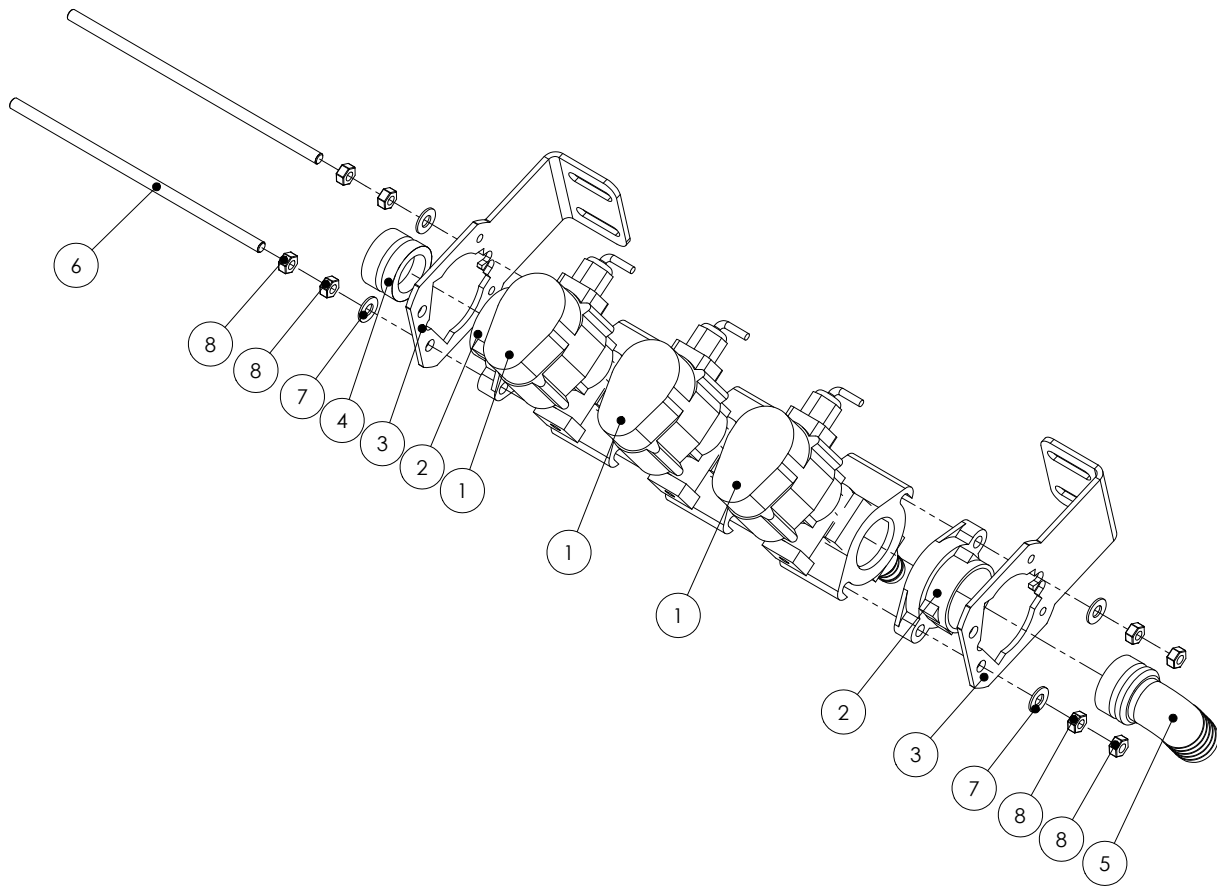


Item	Part No	Description	Quantity
I	GA5065740	3 Section Boom Valves	1
	GA5065741	4 Section Boom Valves	1
	GA5065704	5 Section Boom Valves	1
	GA5065705	6 Section Boom Valves	1
	GA5065706	7 Section Boom Valves	1
	GA5065710	8 Section Boom Valves	1

Item	Part No	Description	Quantity
2	GA5004711	M8 x 25mm Bolt	4
3	GA5003643	8mm Washer	8
4	GA5004917	M8 Nyloc Nut	4

See Altek/Goldacres Part Catalogue for complete breakdowns

BOOM SECTION VALVES COMPONENTS



Item	Part No	Description	Quantity
1	GA5065515	Section Valve [#]	*
	GA5065510	Section Valve with Pressure Relief [#]	*
2	GA5065810	Boom Valve End Cap	2
3	GA5065800	Boom Valve Bracket	2
4	GA5065680	AS40 Plug	1
5	GA5065620	AS40 x 33mm Elbow	1
6	GA5065805	3 Section Connecting Rod	2

Item	Part No	Description	Quantity
	GA4562055	4 Section Connecting Rod	2
	GA4562125	5 Section Connecting Rod	2
	GA4562050	6 Section Connecting Rod	2
	GA4562045	7 Section Connecting Rod	2
	GA4562040	8 Section Connecting Rod	2
7	GA5004913	8mm Washer	4
8	GA5004918	M8 S/S Nut	8

* Quantity may vary depending upon machine specifications.

[#] GA5065515 is fitted to sprayer as standard, GA5065510 may be fitted as an option. For complete part breakdown of these components refer to the GoldAcres Altek Parts Catalogue

See Altek/Goldacres Part Catalogue for complete breakdowns

