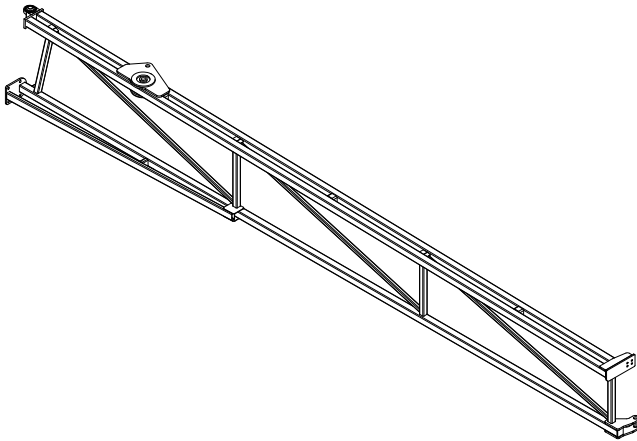


CHAPTER 14

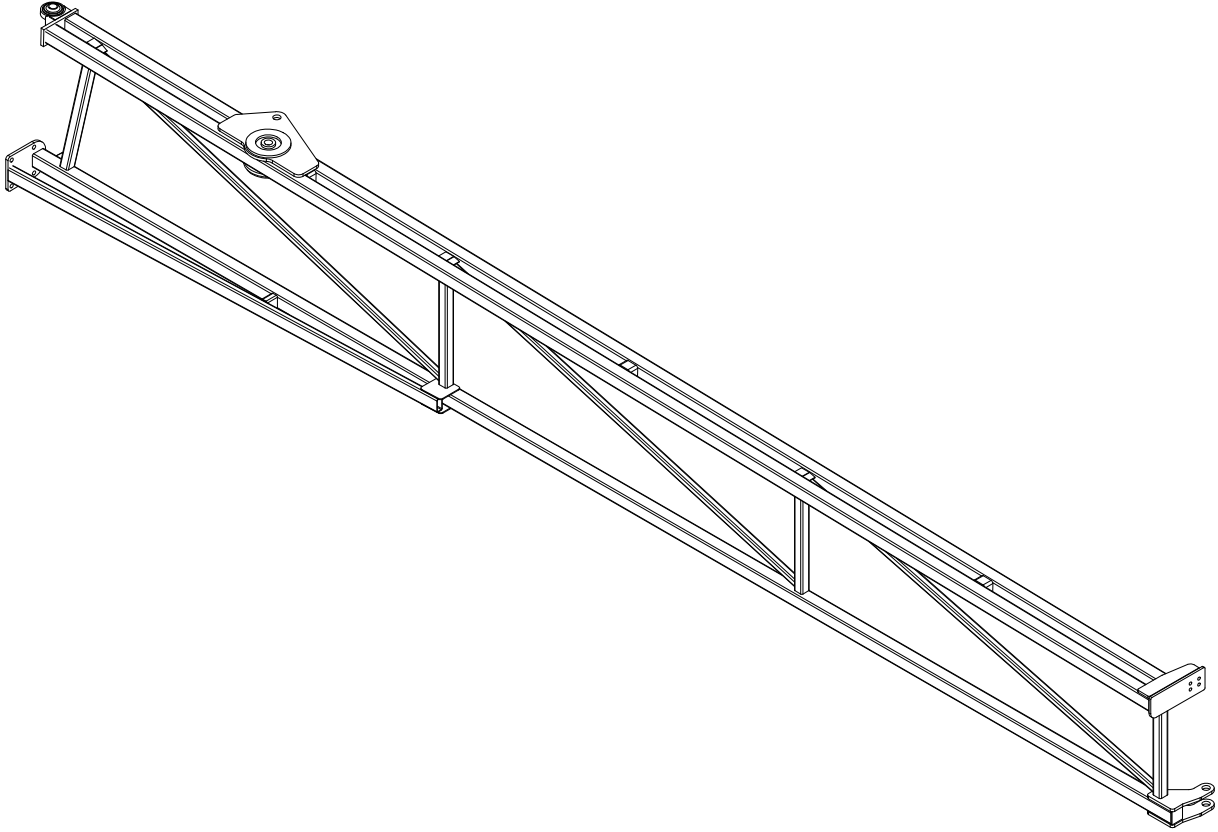
DELTA BOOMS



Inner Boom Wings	14-2
Outer Boom Sections.....	14-3
Cable Drum Hinge	14-4
Upper Bearing Pivot Assembly	14-5
Lower Bearing Pivot Assembly	14-6
Fold Cylinders.....	14-7
Boom End Protectors.....	14-8
Boom Cable Tensioner Assembly ..	14-9
Cable Spring Assembly	14-10
Breakaway End Mechanism.....	14-11
Flip Over Ends	14-13
Rubber Bump Stops	14-14
Boom Protectors	14-15
Boom Fold Support Brackets	14-16
Boom Line Plumbing.....	14-17
Adjustable Nozzle Brackets	14-18
Foam Marker Components	14-19
Manual Fence Line Nozzles	14-20
Solenoid Operated Fences Line Nozzle.	14-21
Boom Cable	14-22

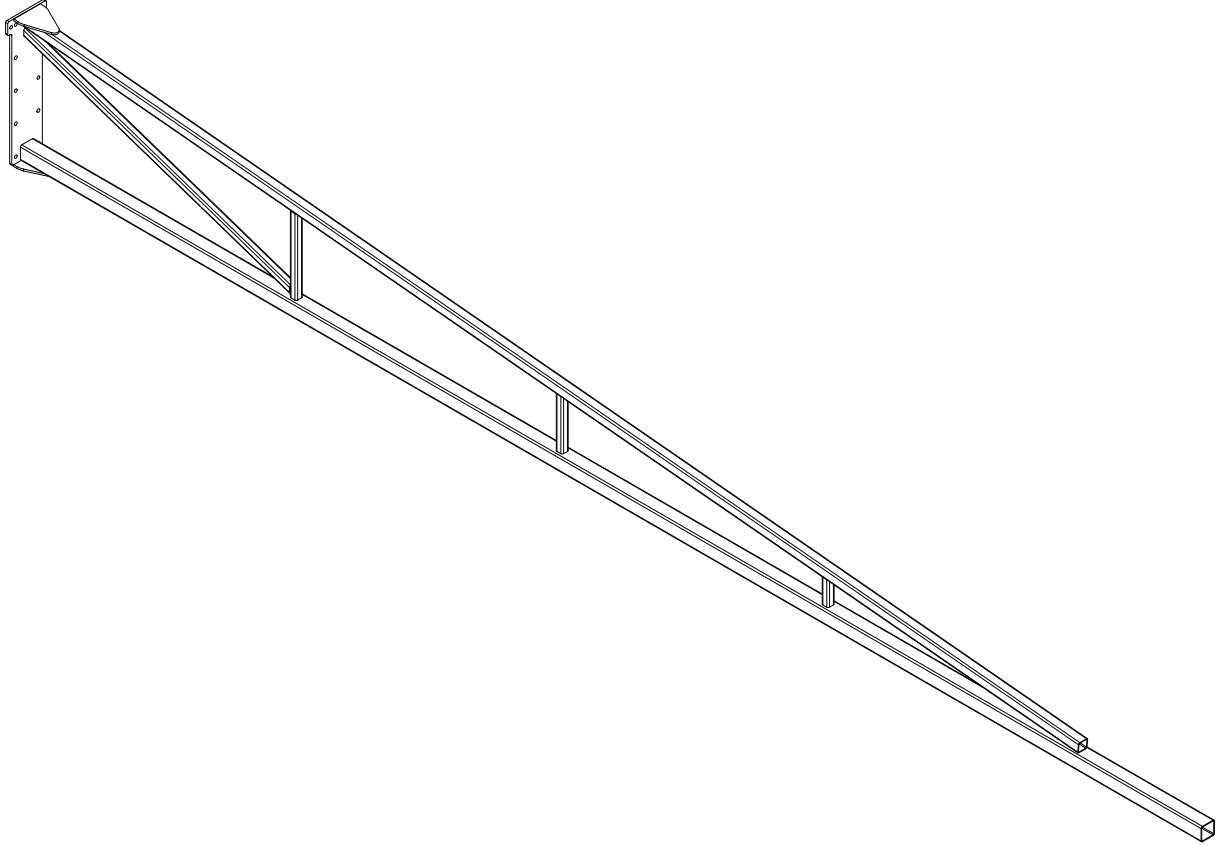
Rev 00 15/3/10

INNER BOOM WINGS



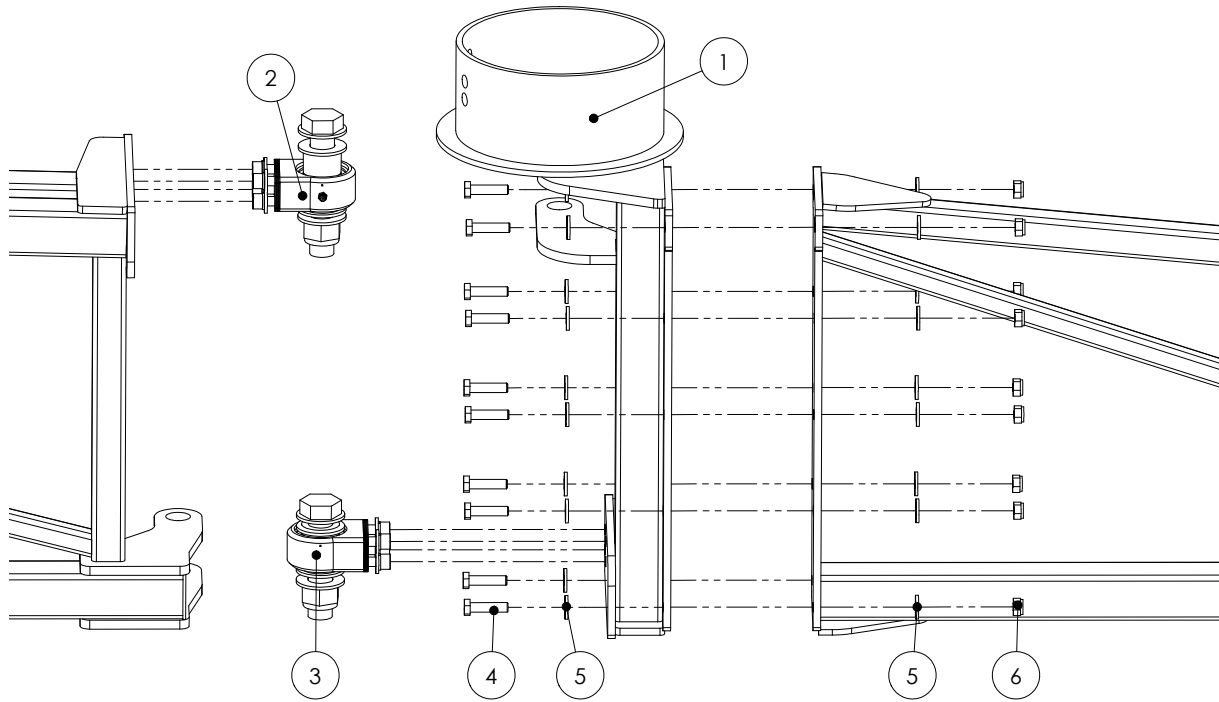
Part No	Description	Quantity
GA4657720	18-24m Inner Wing (RH)	1
GA4657725	18-24m Inner Wing (LH)	1

OUTER BOOM SECTIONS



Part No	Description	Quantity
GA4655925	18m Outer Boom (steel)	2
GA4655930	21m Outer Boom (steel)	2
GA4655935	24m Outer Boom (Aluminium)	2
GA4656055	24m Outer Boom to suit	
	Breakaway (Aluminium)	2

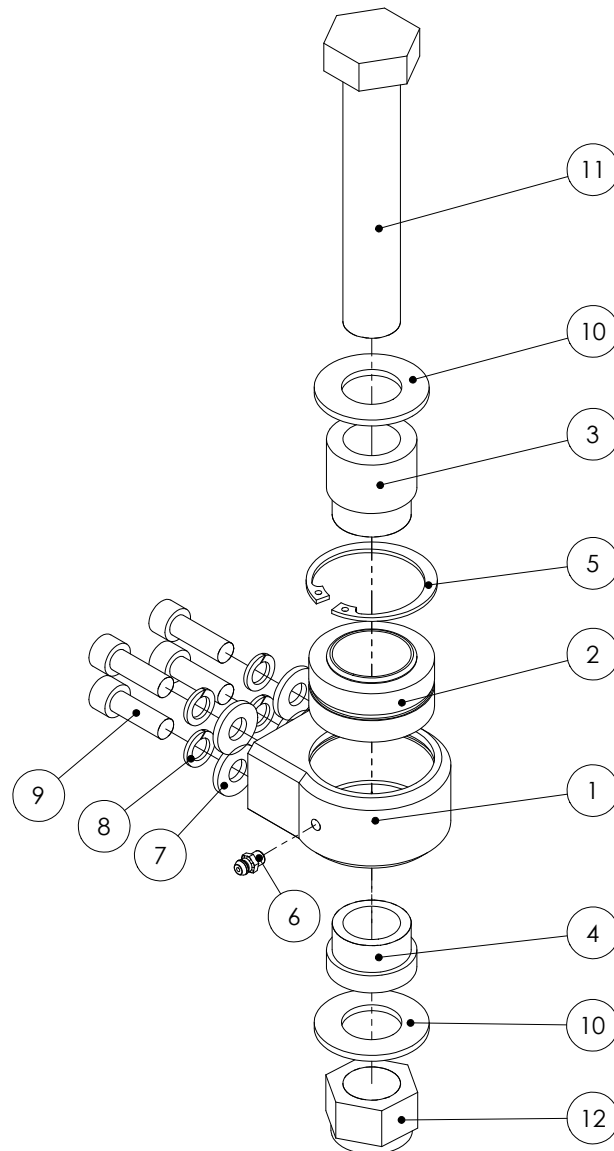
CABLE DRUM HINGE



Item	Part No	Description	Quantity
1	GA4657740	Right Cable Drum	1
	GA4657745	Left Cable Drum	1
2	GA4932346	Upper Pivot Assembly	2
3	GA4932347	Lower Pivot Assembly	2
4	GA5015011	M10 x 35mm Bolt	20
5	GA5000115	10mm Washer	40
6	GA5000141	M10 Nyloc Nut	20

Note: A 1mm S/S shim is also available to go with this assembly Part No: F70771A

UPPER BEARING PIVOT ASSEMBLY

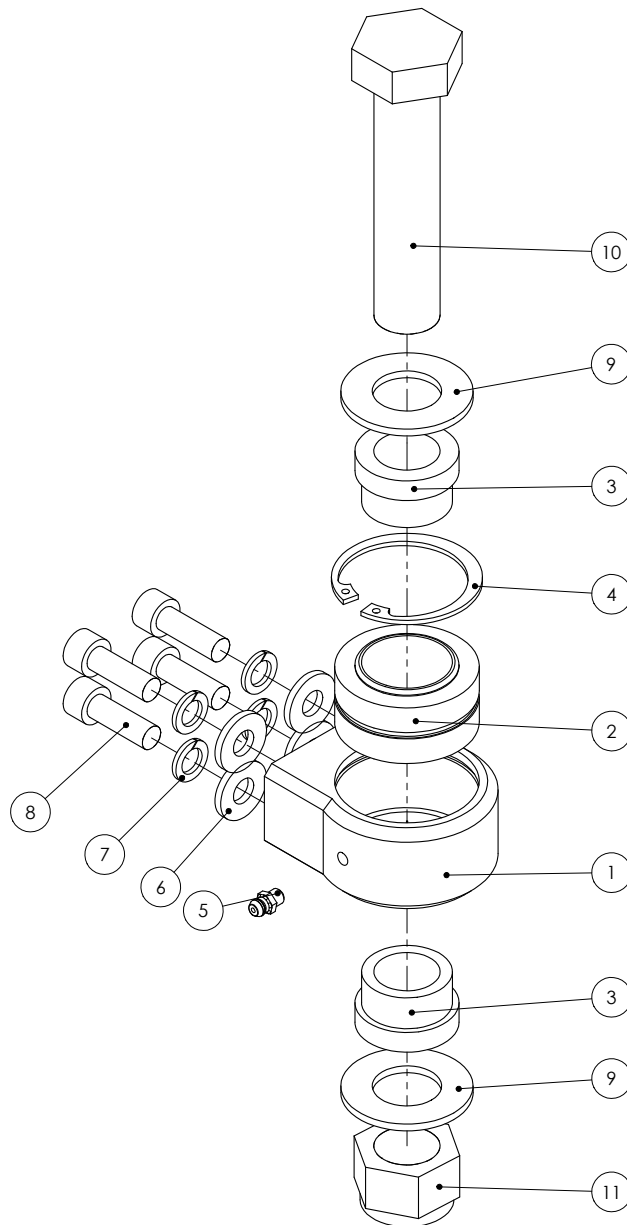

Assembly Part No: GA4932346

Item	Part No	Description	Quantity
1	MACH0123	Bearing Housing	1
2	GA5015659	Spherical Bush	1
3	MACH0119	Pivot Bush (long)	1
4	DB-ADJ-02	Pivot Bush (short)	1
5	GA5010573	Internal Circlip	1
6	GA5012203	1/4" Grease Nipple	1

Item	Part No	Description	Quantity
7	GA5000115	10mm Washer	4
8	GA5000137	10mm Spring Washer	4
9	GA5020115	M10 x 30mm Cap Screw	4
10	GA5017659	1" Washer	2
11	GA5006041	1" x 5 1/2" UNF Bolt	1
12	GA5012445	1" UNF Nyloc Nut	1

Note: A 1mm S/S shim is also available to go with this assembly Part No: F70771A

LOWER BEARING PIVOT ASSEMBLY



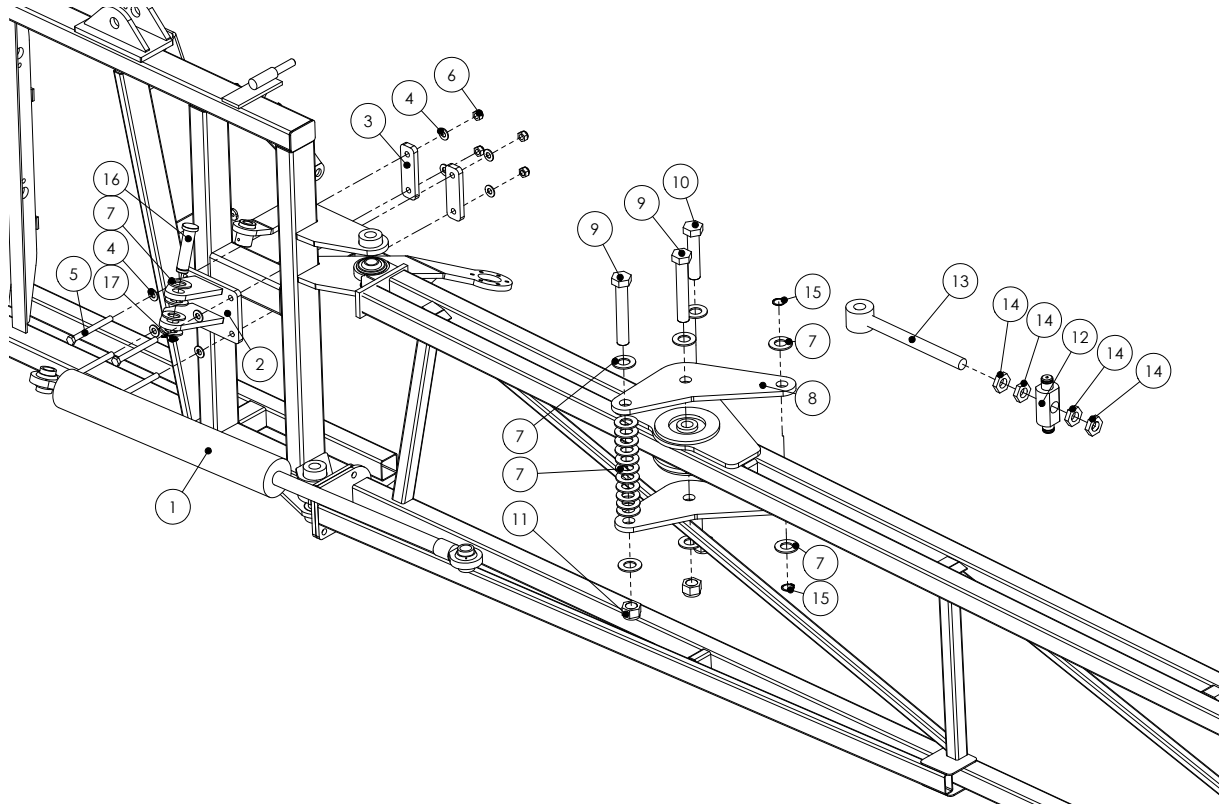
Assembly Part No: GA4932347

Item	Part No	Description	Quantity
1	MACH0123	Bearing Housing	1
2	GA5015659	Spherical Bush	1
3	DB-ADJ-02	Pivot Bush (short)	2
4	GA5010573	Internal Circlip	1
5	GA5012203	1/4" Grease Nipple	1
6	GA5000115	10mm Washer	4

Item	Part No	Description	Quantity
7	GA5000137	10mm Spring Washer	4
8	GA5020115	M10 x 30mm Cap Screw	4
9	GA5017659	1" Washer	2
10	GA5006039	1" x 4 1/2" UNF Bolt	1
11	GA5012445	1" UNF Nyloc Nut	1

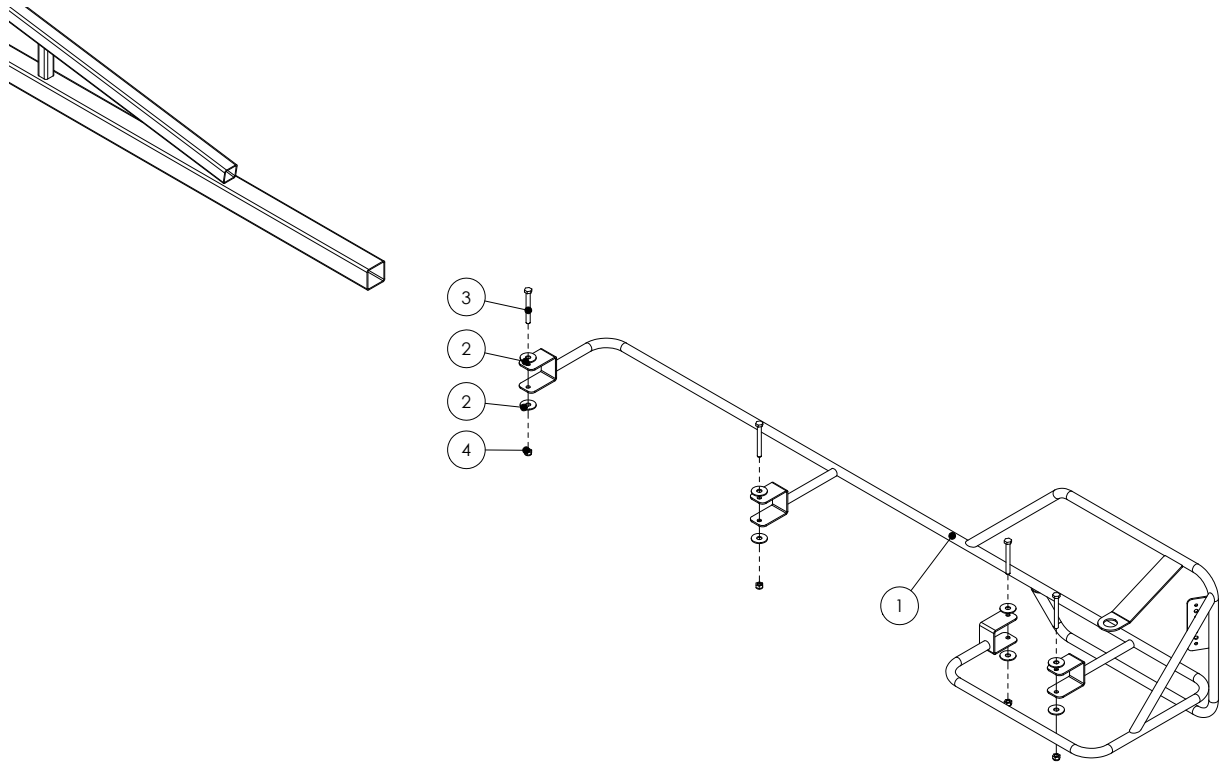
Note: A 1mm S/S shim is also available to go with this assembly Part No: F70771A

FOLD CYLINDERS



Item	Part No	Description	Quantity	Item	Part No	Description	Quantity
1	GA5018555	Right Fold Cylinder	1	9	GA5006043	1" x 6" UNF Bolt	4
	GA5018557	Left Fold Cylinder	1	10	GA5006039	1" x 4 1/2" UNF Bolt	2
2	GA4656505	Right Cylinder Centre Clevis	1	11	GA5012445	1" UNF Nyloc Nut	6
	GA4656510	Left Cylinder Centre Clevis	1	12	24mk4DB006MACH	Adjuster Pivot	2
3	F70107A	Mounting Bolt Plate	4	13	FAB0201	Threaded Adjuster	2
4	GA5000577	12mm Washer	16	14	GA5010991	1" Lock Nut (12TPI)	8
5	GA5000265	M12 x 120mm Bolt	8	15	GA5008519	External Circlip	4
6	GA5012461	M12 Nyloc Nut	8	16	L001A	Inner Cylinder Pin	2
7	GA5017659	1" Washer	46	17	GA5001223	19mm E-Clip	2
8	24mk4DB005LAS	Pivot Plate	4				

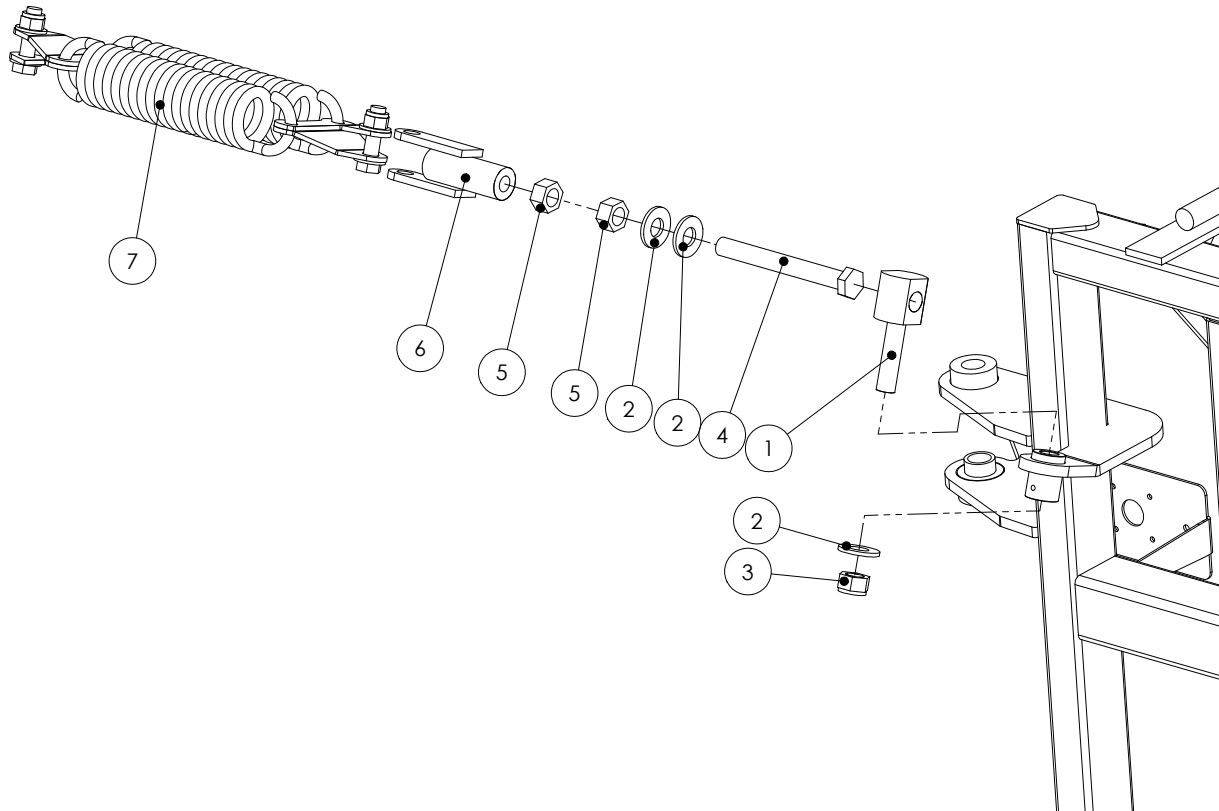
BOOM END PROTECTORS



Kit Part No: GA4901385

Item	Part No	Description	Quantity
1	GA4656314	Right Boom End Protector	1
	GA4656315	Left Boom End Protector	1
2	GA5002597	3/8" x 1 1/4" Washer	16
3	GA5052600	M8 x 75mm Bolt S/S 304	8
4	GA5052590	M8 Nyloc Nut S/S 316	8

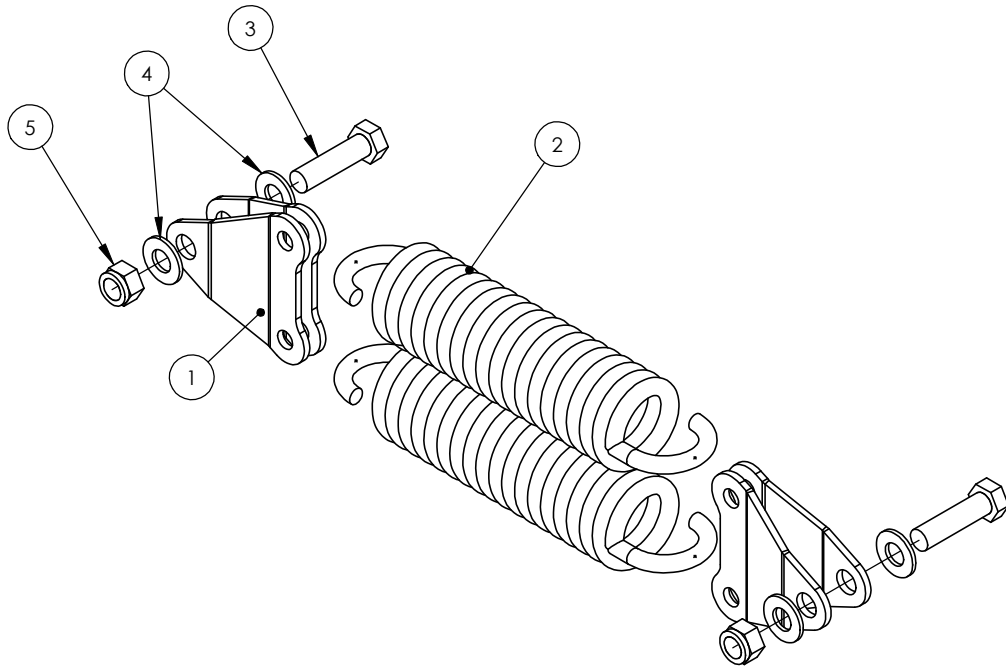
BOOM CABLE TENSIONER ASSEMBLY



Item	Part No	Description	Quantity
1	L006A	Pivot Housing	2
2	GA5001739	20mm Washer	6
3	GA5012467	M20 Nyloc Nut	2
4	MACH0137	M20 Cable Bolt	2

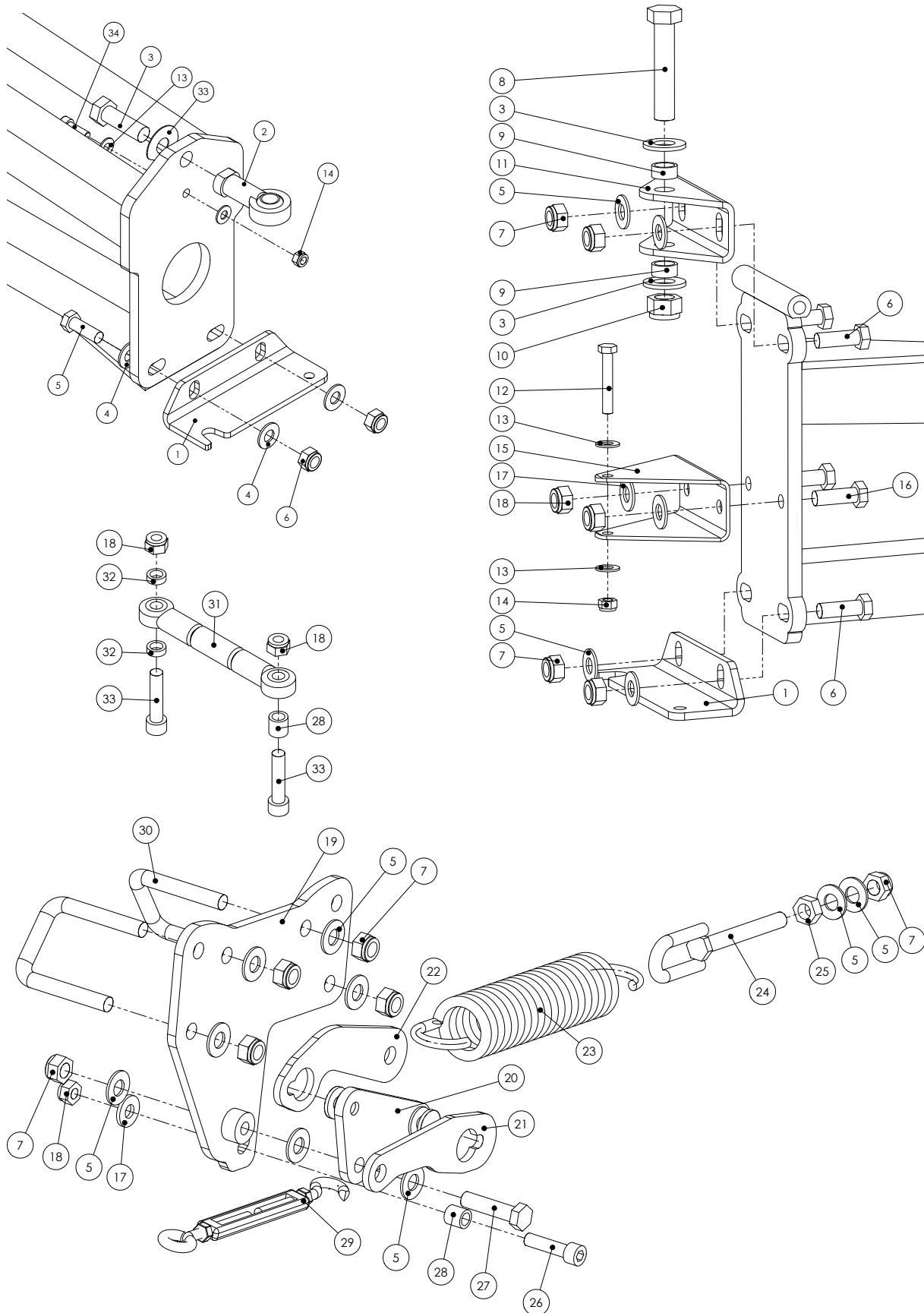
Item	Part No	Description	Quantity
5	GA5048125	M20 Nut	4
6	GA4656265	Screw on Clevis	2
7	GA4922095	Spring Assembly	2

CABLE SPRING ASSEMBLY

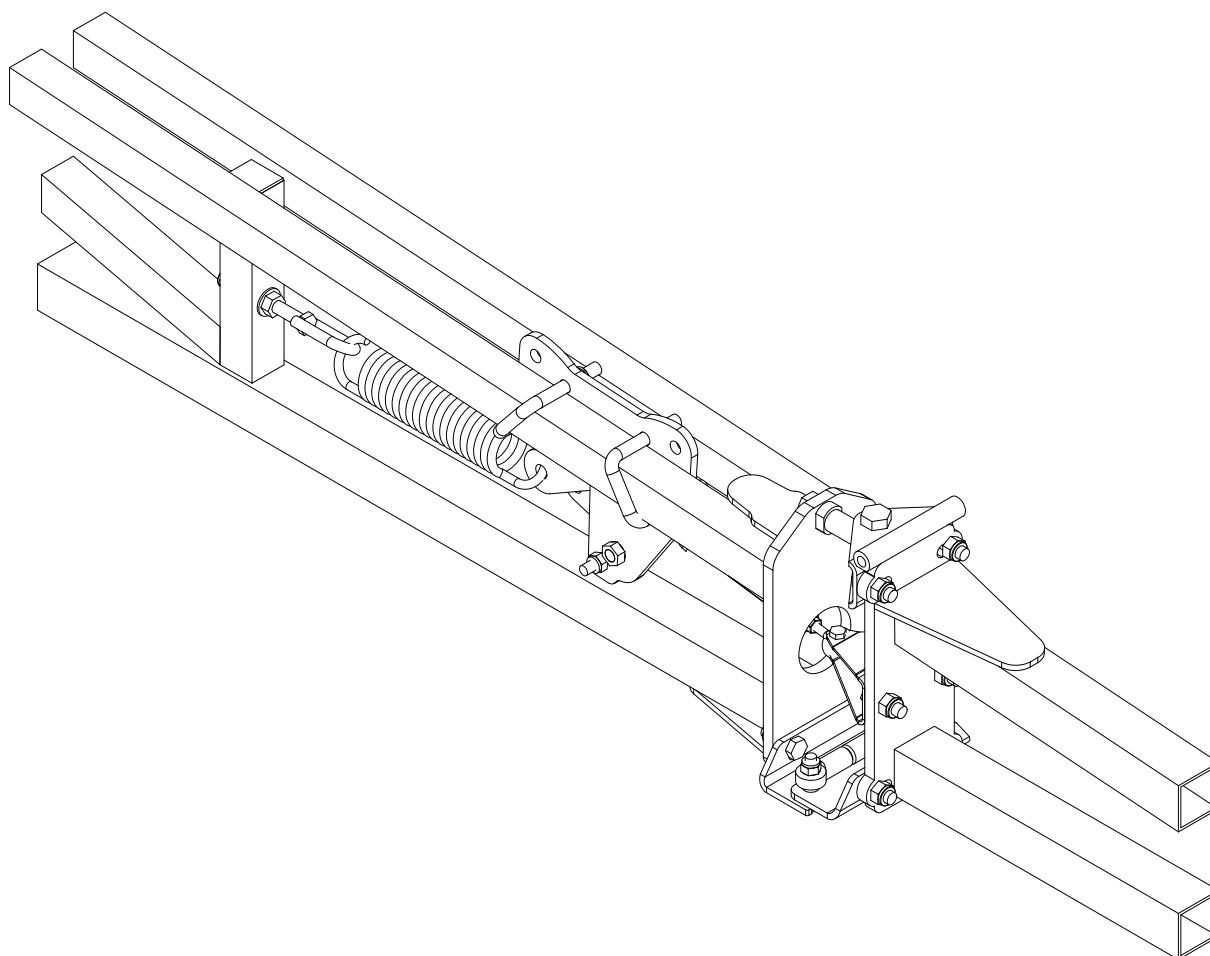
**Kit Part No: GA4922095**

Item	Part No	Description	Quantity
1	GA4522755	Dual Spring Mount	4
2	GA5010793	Heavy Spring	2
3	GA5000939	M16 x 60mm Bolt	2
4	GA5001009	16mm Washer	4
5	GA5001029	M16 Nyloc Nut	2

BREAKAWAY END MECHANISM

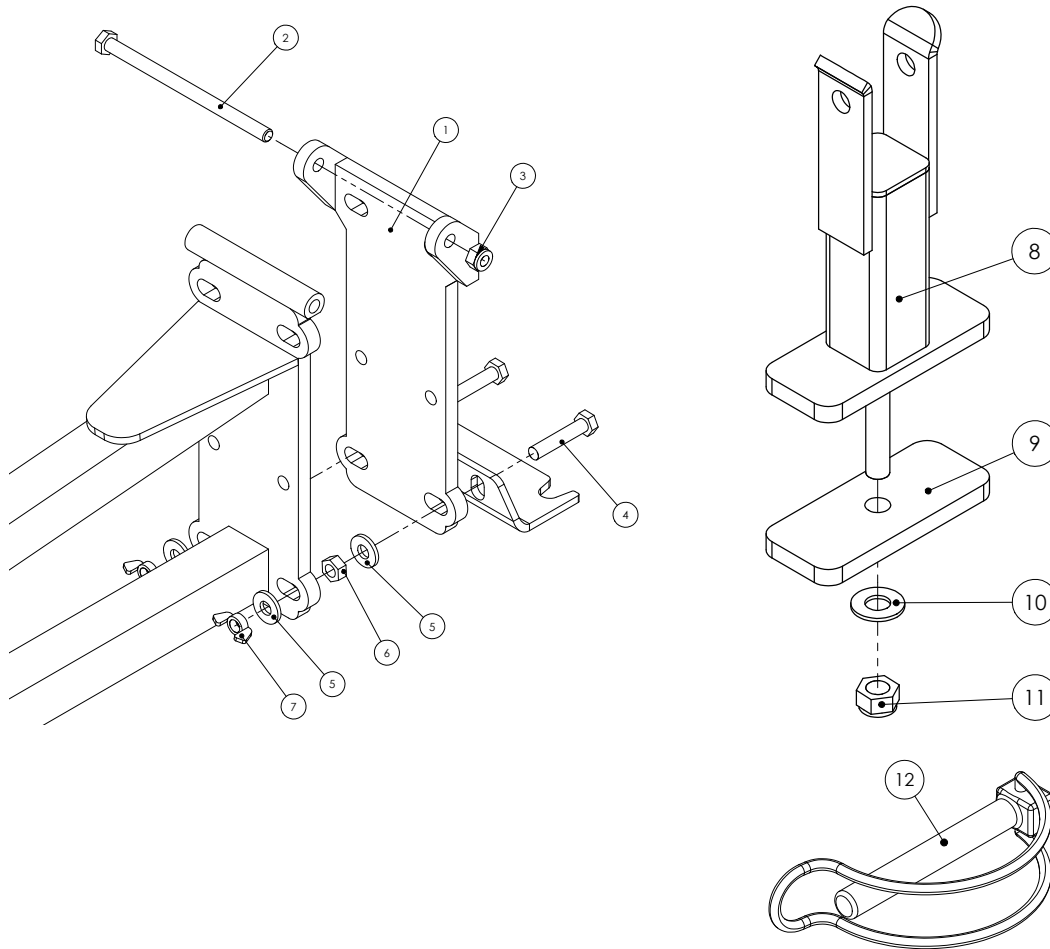


BREAKAWAY END MECHANISM



Item	Part No	Description	Quantity	Item	Part No	Description	Quantity
1	GA4502105	Lower Breakaway Bracket	2	18	GA5000141	M10 Nyloc Nut	5
2	GA5014469	16mm Female Rod End	1	19	GA4656115-01	Stationary Breakaway Plate	1
3	GA5001043	16mm Washer	2	20	GA4656115-02	Moving Breakaway Plate	1
4	GA5000933	M16 x 50mm Bolt	1	21	GA4532590	Turnbuckle Plate	1
5	GA5000587	12mm Washer	15	22	GA4532565	Spring Plate	1
6	GA5011231	M12 x 35mm Bolt	6	23	GA5016605	Breakaway Spring	1
7	GA5012461	M12 Nyloc Nut	11	24	GA5008545	M12 Eye Bolt	1
8	GA5011307	M16 x 80mm Bolt	1	25	GA5000559	M12 Nut	1
9	GA4552070	Crush Tube (16.2x20.5x9.5)	2	26	GA5006141	M10 x 40mm Cap Screw	1
10	GA5001029	M16 Nyloc Nut	1	27	GA5000331	M12 x 50mm Bolt	1
11	GA4502095	Upper Breakaway Bracket	1	28	GA4552075	Crush Tube (10.2x15x15)	2
12	GA5004727	M8 x 50mm Bolt	1	29	GA5066930	Turnbuckle	1
13	GA5004883	8mm Washer	4	30	GA5011251	M12 x 52mm x 80mm U Bolt	2
14	GA5004917	M8 Nyloc Nut	2	31	GA4902060-3	Rodend Assembly	1
15	GA4502100	Middle Breakaway Bracket	1	32	GA4552080	Crush Tube (10.2x15x5)	2
16	GA5006111	M10 x 35mm Bolt	2	33	GA4522485	Rod End Locking Washer	1
17	GA5000139	10mm Washer	6	34	GA5004717	M8 x 30mm Cap Screw	1

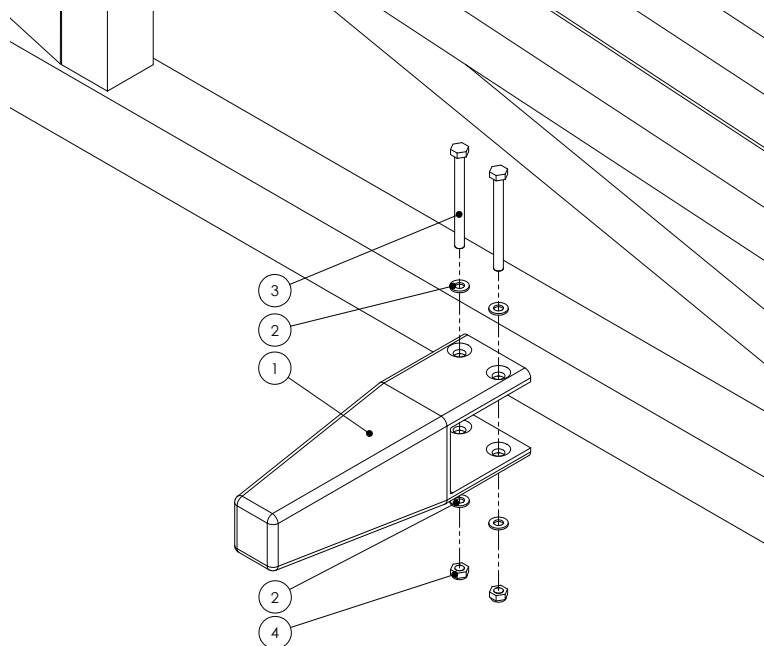
FLIP OVER ENDS



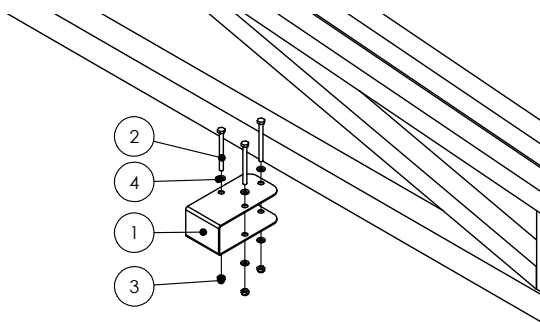
Item	Part No	Description	Quantity
1	GA4656110	Pivot Plate Assembly	2
2	GA5066910	M10 x 160mm Bolt	2
3	GA5000141	M10 Nyloc Nut	2
4	GA5006057	M10 x 50mm Bolt	4
5	GA5000117	10mm Washer	8
6	GA5012459	M10 Nut	4

Item	Part No	Description	Quantity
7	GA5000127	M10 Wingnut	4
8	GA4656310	Boom Saddle	2
9	FOE-005	Retainer Plate	2
10	GA5000577	12mm Washer	2
11	GA5012461	M12 Nyloc Nut	2
12	GA5048380	Pin with Clip	2

RUBBER BUMP STOPS

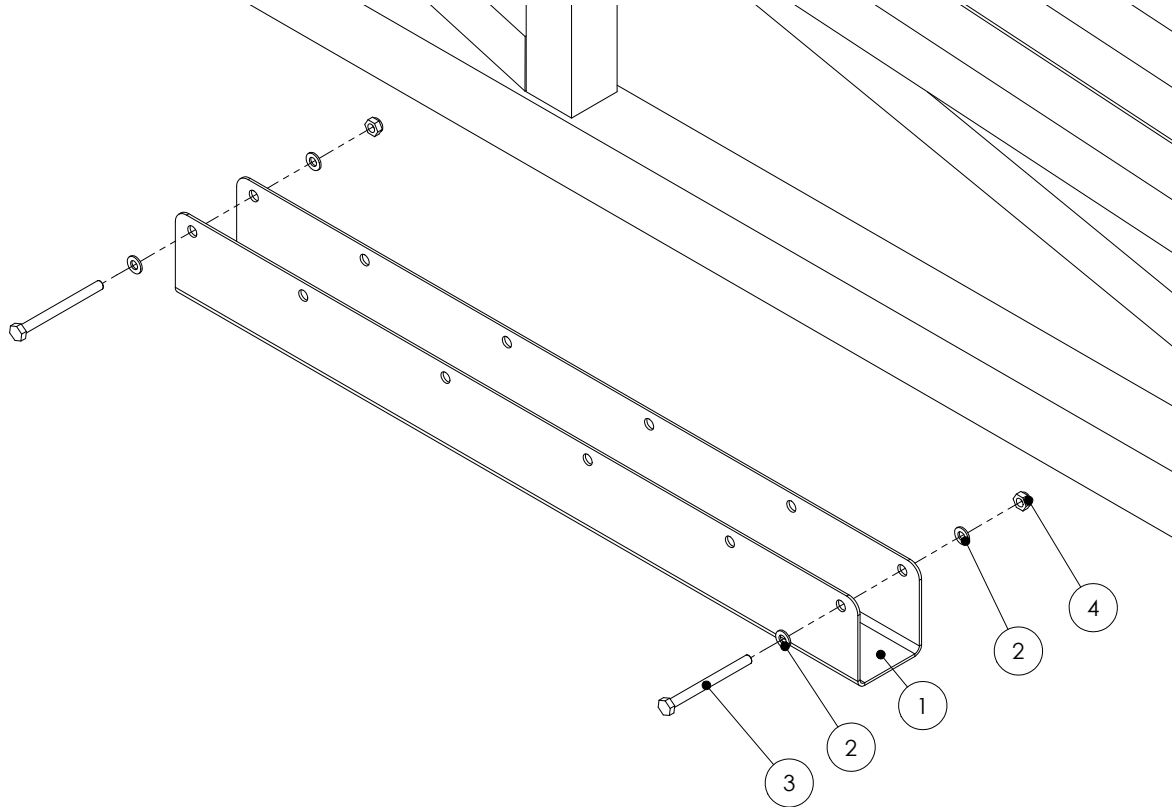


Item	Part No	Description	Quantity
1	GA5006225	Boom Bump Stop	1
2	GA5004437	6mm Washer	4
3	GA5004103	M6 x 70mm Bolt	2
4	GA5048115	M6 Nyloc Nut	2



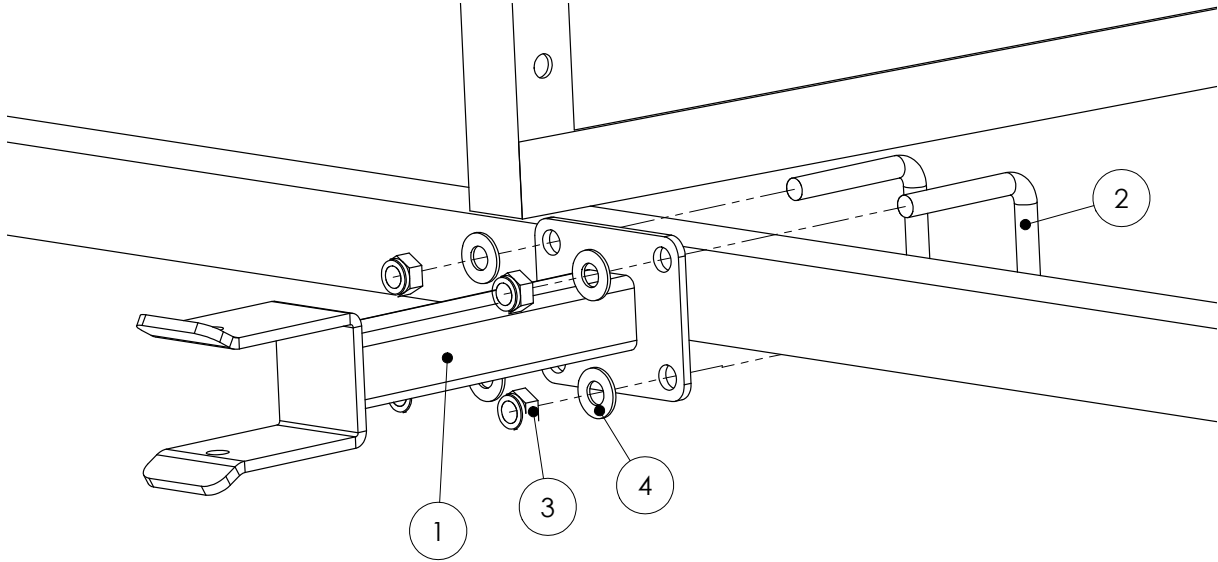
Item	Part No	Description	Quantity
1	GA4522995	Bump Stop Extension Bracket	1
2	GA5004103	M6 x 70mm Bolt	3
3	GA5048115	M6 Nyloc Nut	3
4	GA5004437	6mm Washer	6

BOOM PROTECTORS



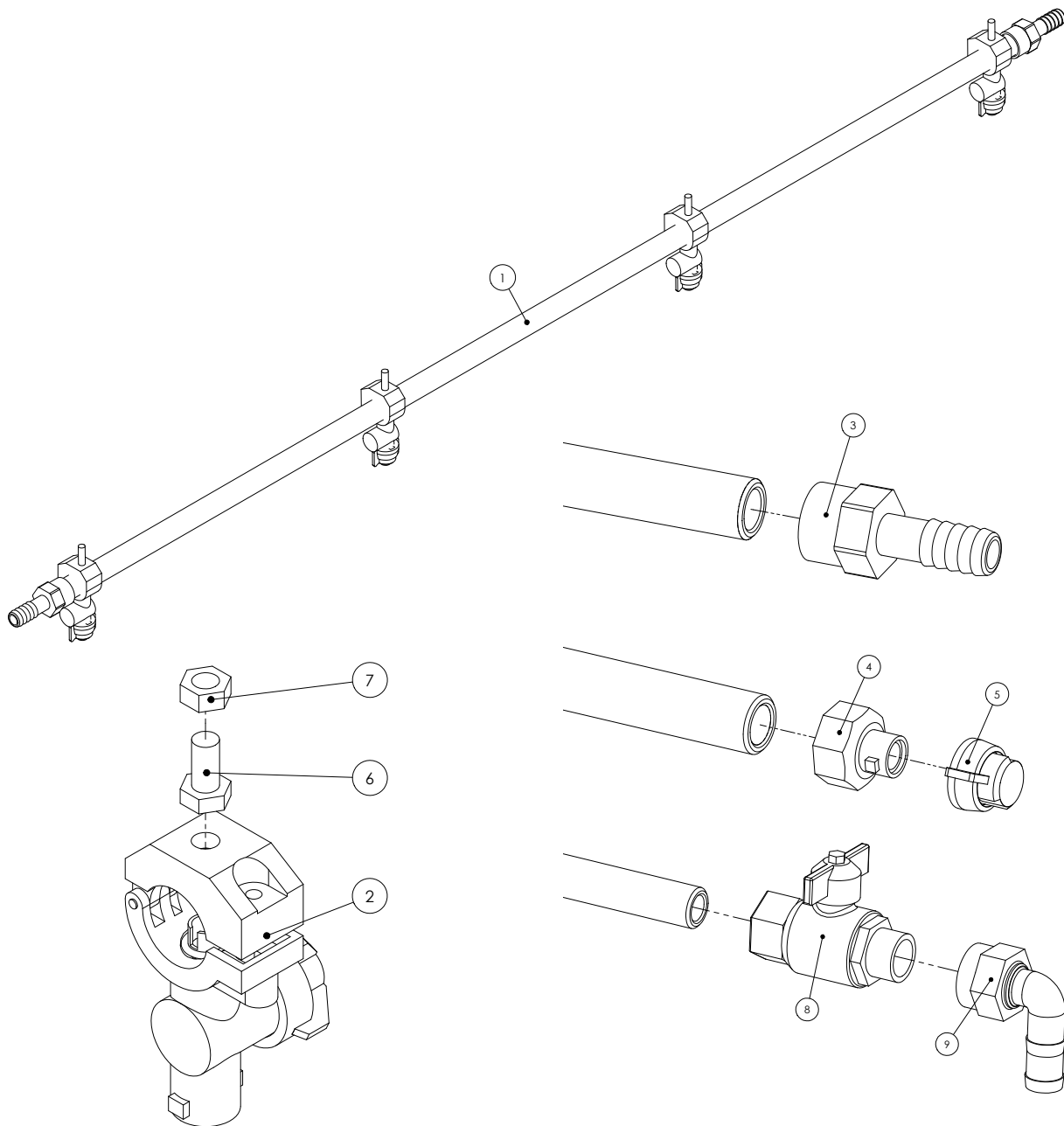
Item	Part No	Description	Quantity
1	F70799A	Boom Protector (600mm)	1
	F70287A	Boom Protector (400mm)	1
	F70294A	Boom Protector (200mm)	1
2	GA5004437	6mm Washer	4
3	GA5004103	M6 x 70mm Bolt	2
4	GA5048115	M6 Nyloc Nut	2

BOOM FOLD SUPPORT BRACKET



Item	Part No	Description	Quantity
1	GA4656284	Boom Fold Bracket	2
2	GA5011251	M12x52mmx80mm U Bolt	4
3	GA5012461	M12 Nyloc Nut	8
4	GA5000577	12mm Washer	8

BOOM LINE PLUMBING

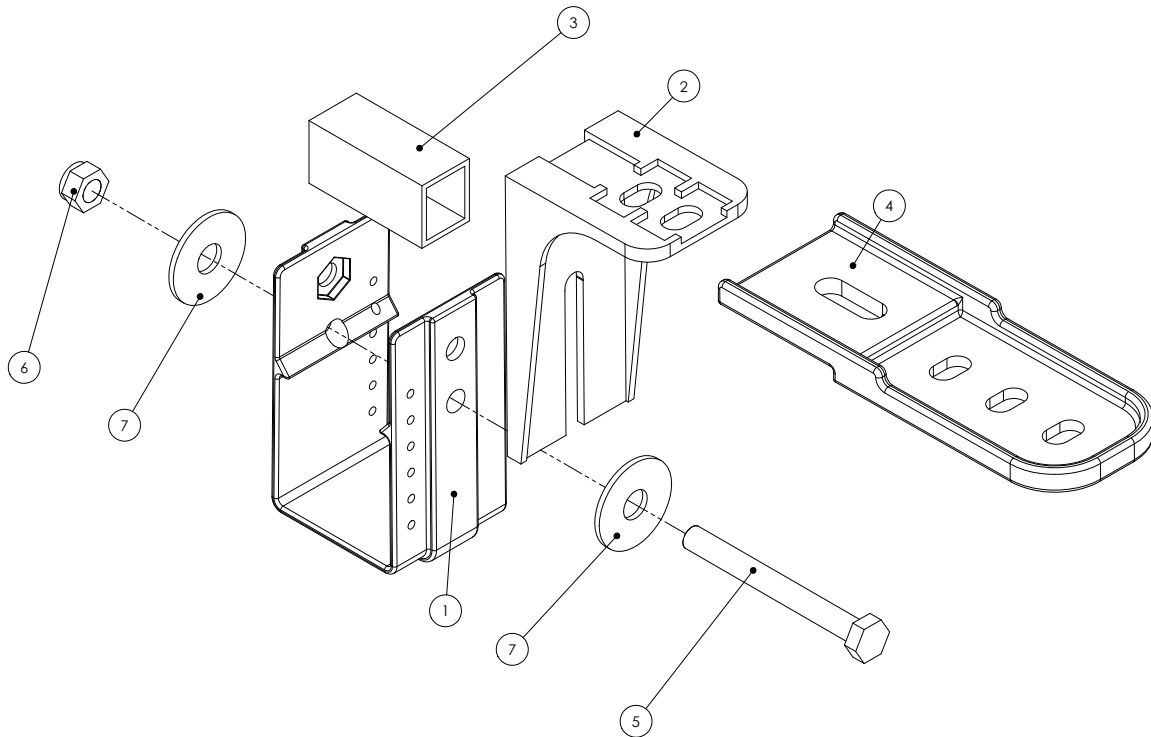


Item	Part No	Description	Quantity
1	GA5018273	4 Hole, 1600mm long	*
		Poly Boom Manifold	*
	GA5018275	5 Hole, 2100mm long	*
		Poly Boom Manifold	*
	GA5018279	6 Hole, 2600mm long	*
		Poly Boom Manifold	*
	GA5018281	7 Hole, 3100mm long	*
		Poly Boom Manifold	*
2	QJ17560A	Teejet Nozzle Body	*

Item	Part No	Description	Quantity
3	HBF075	3/4" Hose Barb (Female)	*
4	400278	3/4" Adapter	*
5	19843-NYR	Shut Off Cap	*
6	GA5003621	M8 x 16mm Bolt (Plastic)	*
	GA5011465	M8 x 16mm Bolt (S/Steel)	*
7	GA5003623	M8 Plastic Nut	*
	GA5004917	M8 Nyloc Nut	*
8	GA	3/4" Ball Valve	*
9	HBF075-90	3/4" Poly Elbow	*

* Quantities vary

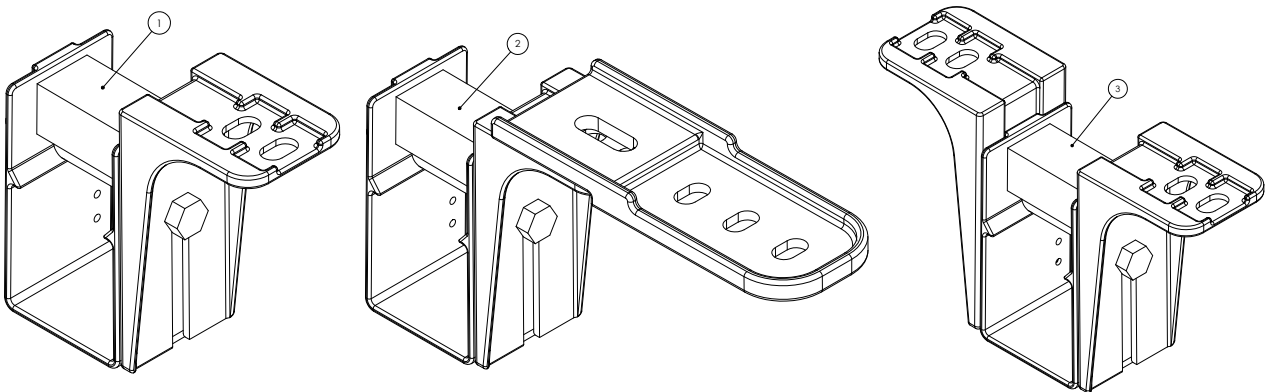
ADJUSTABLE NOZZLE BRACKETS



Item	Part No	Description	Quantity
1	GA5018259	"U" Nozzle Bracket to suit 50mm RHS	1
2	GA5018257	"L" Nozzle Bracket	1
3	GA5066965	Spacer	1
4	GA5018255	Dual Boom Nozzle Extension Bracket	1

Item	Part No	Description	Quantity
5	GA5004741	M8 x 75mm Bolt (S/S 304)	1
6	GA5004917	M8 Nyloc Nut	1
7	GA5002627	3/8" x 1 1/4" Washer	2

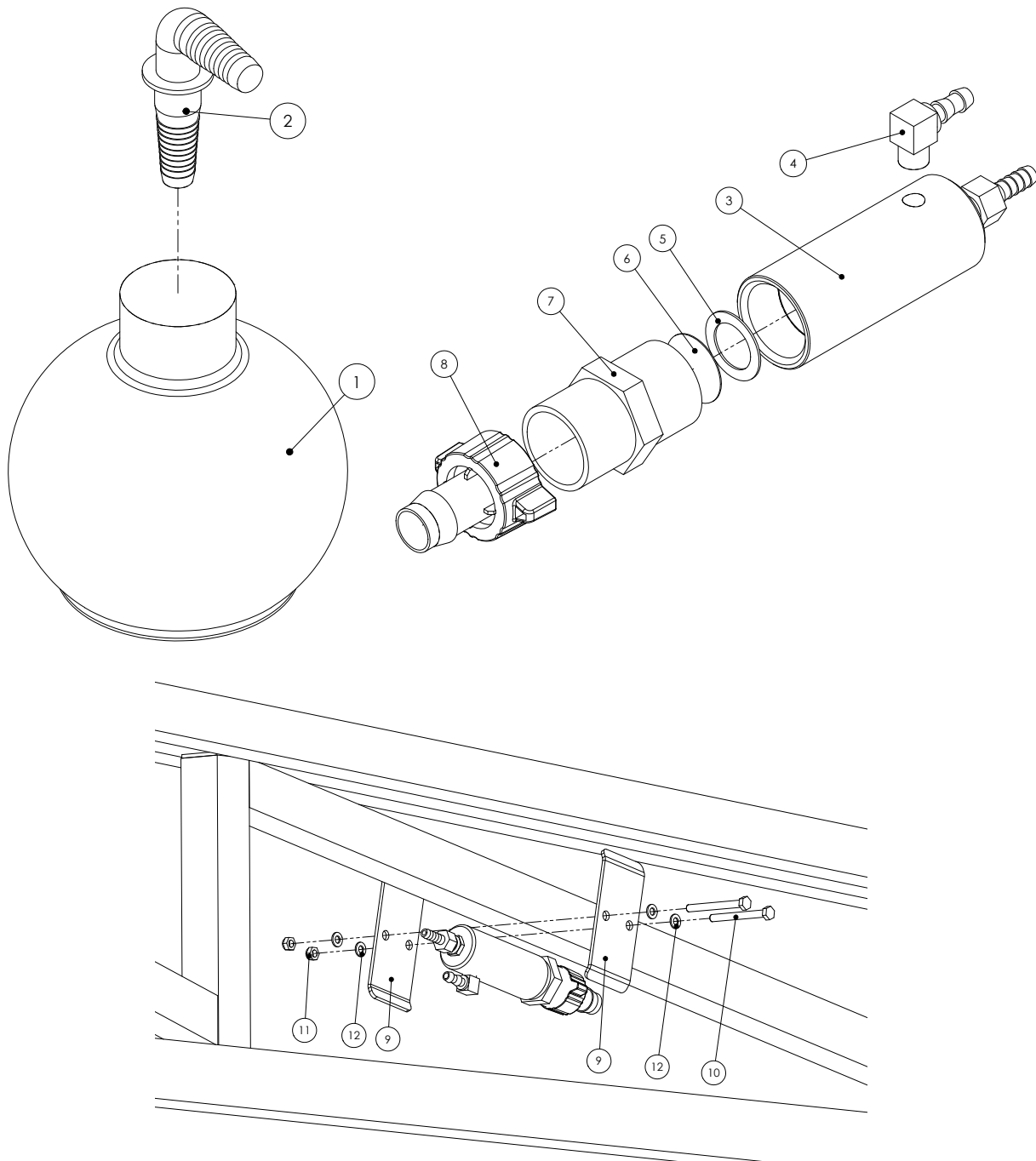
PRE PACKAGED KITS



Item	Part No	Description
1	GA4948675	Single line nozzle bracket
2	GA4948695	Dual Line nozzle bracket (rear side) Kit

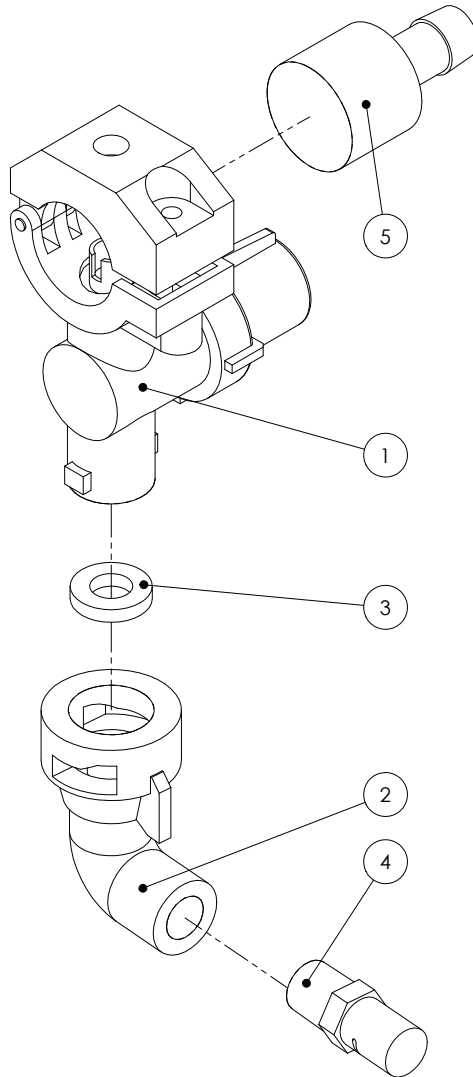
Item	Part No	Description
3	GA4948685	Dual Line nozzle bracket (both sides) Kit

FOAM MARKER COMPONENTS



Item	Part No	Description	Quantity	Item	Part No	Description	Quantity
1	GA5008491	Foam Accumulator	1	7	NIP100-SH	1" Nipple	1
2	118319	Elbow	1	8	GA5007621	19mm x 1" Barb	1
3	FGEN-COM	Foam Generator Outer & Jet	1	9	F70239A	Generator Bracket	2
4	GA5066950	1/4" x 1/8" Elbow	1	10	GA5004097	M6 x 60mm Bolt	2
5	GA5002497	3/4" Copper Washer	1	11	GA5048115	M6 Nyloc Nut	2
6	GA4948390	Mesh Screen	1	12	GA5004437	6mm Washer	4

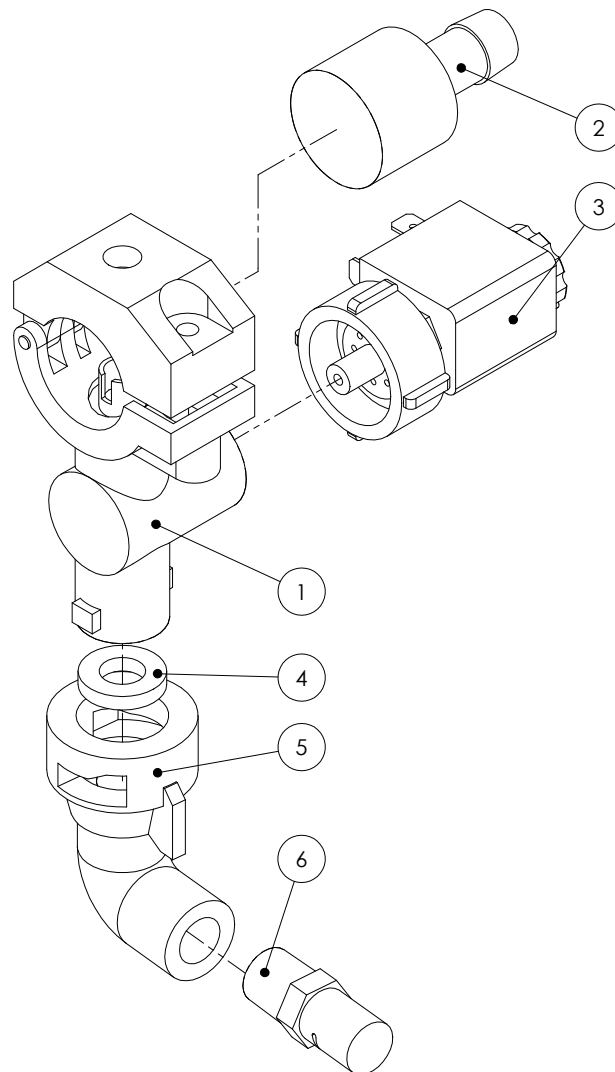
MANUAL FENCE LINE NOZZLE



Item	Part No	Description	Quantity
1	58140-NYB	Manual Nozzle Body	1
2	QJ4676-90-1/4-NYR	90 Degree Nozzle Adapter	1
3	CPI9438-EPR	Seal	1

Item	Part No	Description	Quantity
4	BI/4XPI0L	Left Fence Line Nozzle	1
	BI/4XPI0R	Right Fence Line Nozzle	1
5	CP38936-NYB	End Barb Adapter	1

SOLENOID OPERATED FENCE LINE NOZZLE



Item	Part No	Description	Quantity	Item	Part No	Description	Quantity
1	58140-NYB	Manual Nozzle Body	1	5	QJ4676-90-1/4-NYR	90 Degree Nozzle Adapter	1
2	CP38936-NYB	End Barb Adapter	1	6	B1/4XP10L	Left Fence Line Nozzle	1
3	ECS17560A-3/4-NYB	Fence Line Solenoid	1		B1/4XP10R	Right Fence Line Nozzle	1
4	CPI9438-EPR	Seal	1				

BOOM CABLE

Item	Part No	Description	Quantity
1	GA500073	Cable	10.33m
2	GA5000215	Cable End Loop	2
3	GA5005391	Cable Ferrule	2