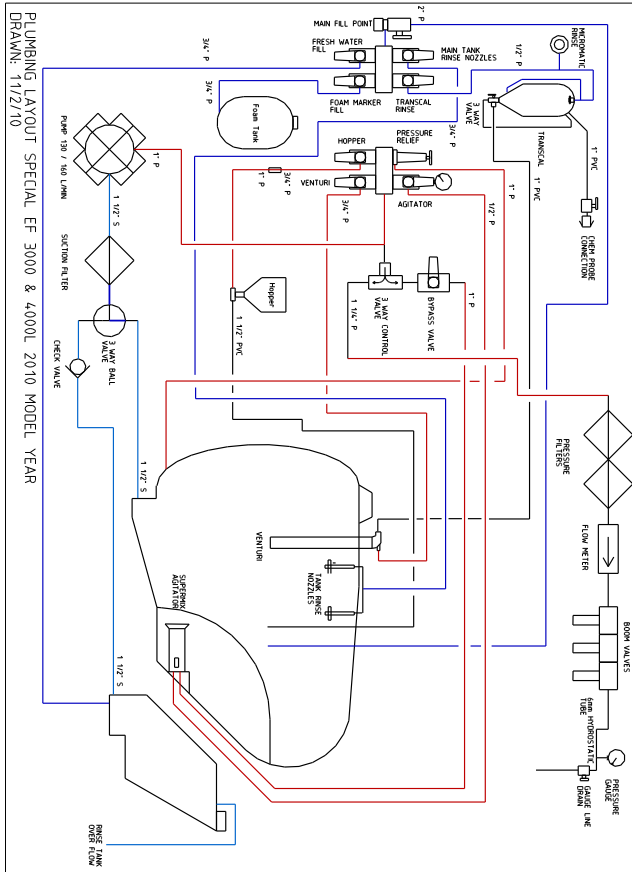


# CHAPTER 16

## SCHEMATICS

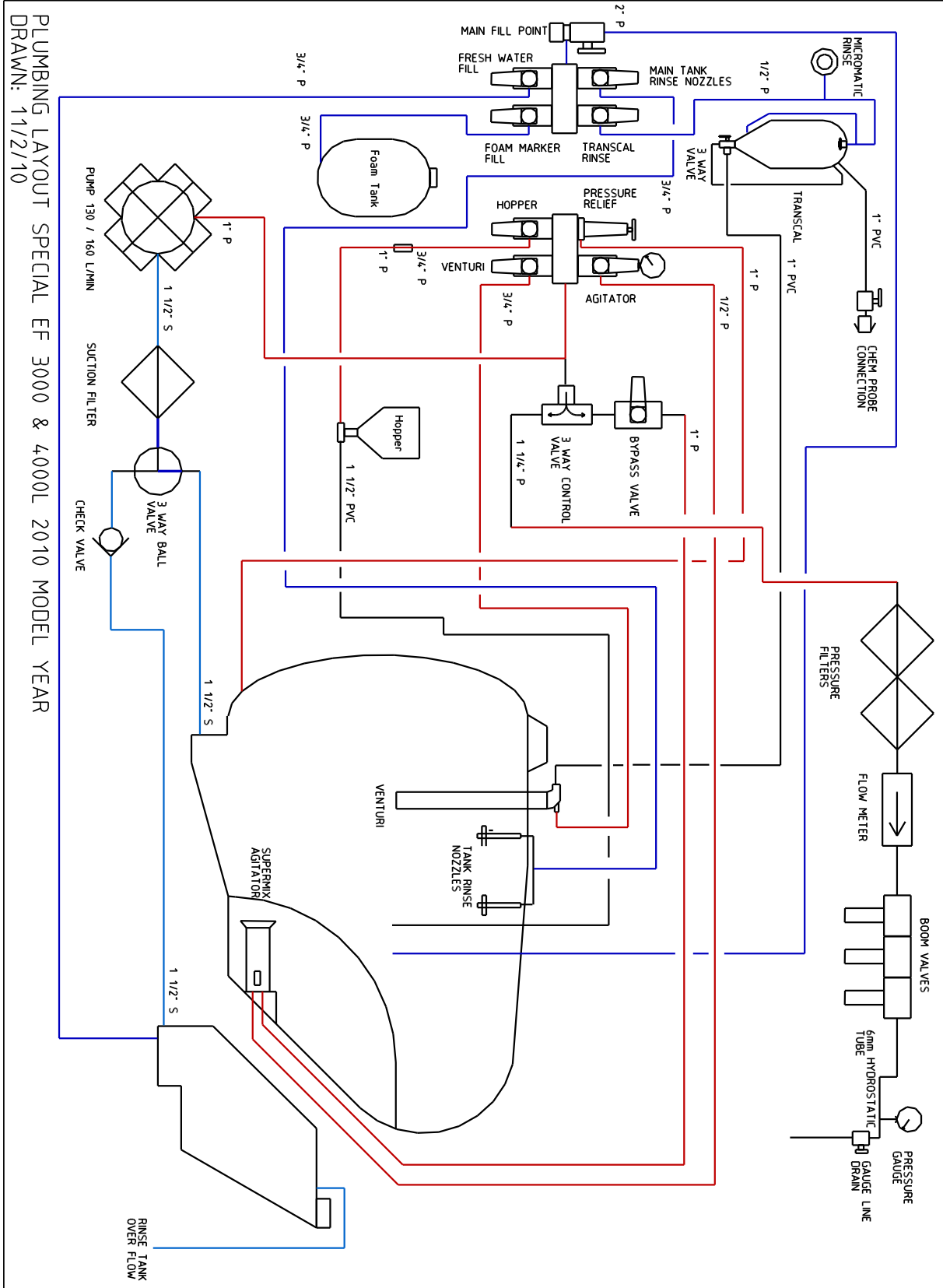
Plumbing Schematic ..... 16-2

Foam Marker Schematic ..... 16-3



Rev 00 15/3/10

# PLUMBING SCHEMATIC



# FOAM MARKER SCHEMATIC

